

XST User Guide for Virtex-6 and Spartan-6 Devices

UG687 (v 11.4) December 2, 2009

Xilinx Trademarks and Copyright Information



Xilinx is disclosing this user guide, manual, release note, and/or specification (the “Documentation”) to you solely for use in the development of designs to operate with Xilinx hardware devices. You may not reproduce, distribute, republish, download, display, post, or transmit the Documentation in any form or by any means including, but not limited to, electronic, mechanical, photocopying, recording, or otherwise, without the prior written consent of Xilinx. Xilinx expressly disclaims any liability arising out of your use of the Documentation. Xilinx reserves the right, at its sole discretion, to change the Documentation without notice at any time. Xilinx assumes no obligation to correct any errors contained in the Documentation, or to advise you of any corrections or updates. Xilinx expressly disclaims any liability in connection with technical support or assistance that may be provided to you in connection with the Information.

THE DOCUMENTATION IS DISCLOSED TO YOU “AS-IS” WITH NO WARRANTY OF ANY KIND. XILINX MAKES NO OTHER WARRANTIES, WHETHER EXPRESS, IMPLIED, OR STATUTORY, REGARDING THE DOCUMENTATION, INCLUDING ANY WARRANTIES OF MERCHANTABILITY, FITNESS FOR A PARTICULAR PURPOSE, OR NONINFRINGEMENT OF THIRD-PARTY RIGHTS. IN NO EVENT WILL XILINX BE LIABLE FOR ANY CONSEQUENTIAL, INDIRECT, EXEMPLARY, SPECIAL, OR INCIDENTAL DAMAGES, INCLUDING ANY LOSS OF DATA OR LOST PROFITS, ARISING FROM YOUR USE OF THE DOCUMENTATION.

© Copyright 2002-2009 Xilinx Inc. All Rights Reserved. XILINX, the Xilinx logo, the Brand Window and other designated brands included herein are trademarks of Xilinx, Inc. All other trademarks are the property of their respective owners. The PowerPC name and logo are registered trademarks of IBM Corp., and used under license. All other trademarks are the property of their respective owners.

About the XST User Guide for Virtex-6 and Spartan-6 Devices

Note The *XST User Guide for Virtex-6 and Spartan-6 Devices* applies to Xilinx® Virtex®-6 and Spartan®-6 devices only. For information on using XST with other devices, see the *XST User Guide*.

The *XST User Guide for Virtex-6 and Spartan-6 Devices* is both a reference book and a guide to methodology. This Guide:

- Describes the Xilinx Synthesis Technology (XST) synthesis tool in detail, including instructions for running and controlling XST.
- Discusses coding techniques for designing circuits using a Hardware Description Language (HDL)
- Gives guidelines to leverage built-in optimization techniques and achieve the best implementation.

This chapter includes:

- Guide Contents
- Acronyms
- Additional Resources
- Conventions

Guide Contents

The *XST User Guide for Virtex-6 and Spartan-6 Devices* includes:

- [Chapter 1, Introduction to Xilinx Synthesis Technology \(XST\)](#), gives a brief summary of the Xilinx Synthesis Technology (XST) synthesis tool.
- [Chapter 2, Creating and Synthesizing an XST Project](#), helps you get started with XST, understand how to create an HDL synthesis project, and how to control and run XST.
- [Chapter 3, XST VHDL Language Support](#), explains how XST supports the VHSIC Hardware Description Language (VHDL), and provides details on VHDL supported constructs and synthesis options.
- [Chapter 4, XST Verilog Support](#), describes XST support for Verilog constructs and meta comments.
- [Chapter 5, XST Behavioral Verilog Support](#), describes XST support for Behavioral Verilog.
- [Chapter 6, XST Mixed Language Support](#), describes how to run an XST project that mixes Verilog and VHDL designs.
- [Chapter 7, XST HDL Coding Techniques](#), gives coding examples for digital logic circuits.
- [Chapter 8, XST FPGA Optimization](#), explains how to use constraints to optimize FPGA devices; explains macro generation; and describes the FPGA device primitive support.
- [Chapter 9, XST Design Constraints](#), provides general information about XST design constraints.
- [Chapter 10, XST General Constraints](#), discusses individual XST General Constraints.
- [Chapter 11, XST HDL Constraints](#), discusses individual XST HDL constraints.

- [Chapter 12, XST FPGA Constraints \(Non-Timing\)](#) discusses individual XST FPGA constraints (non-timing).
- [Chapter 13, XST Timing Constraints](#), discusses XST timing constraints.
- [Chapter 14, XST-Supported Third Party Constraints](#), discusses XST-supported third party constraints.
- [Chapter 15, XST Synthesis Report](#), describes the XST log file.
- [Chapter 16, XST Naming Conventions](#), describes XST naming conventions.

Acronyms

| Acronym | Meaning |
|---------|-------------------------------------|
| HDL | Hardware Description Language |
| VHDL | VHSIC Hardware Description Language |
| RTL | Register Transfer Level |
| LRM | Language Reference Manual |
| FSM | Finite State Machine |
| EDIF | Electronic Data Interchange Format |
| LSO | Library Search Order |
| XST | Xilinx® Synthesis Technology |
| XCF | XST Constraint File |

Conventions

This document uses the following conventions. An example illustrates each convention.

Typographical

The following typographical conventions are used in this document:

| Convention | Meaning or Use | Example |
|-----------------------|--|--|
| Courier font | Messages, prompts, and program files that the system displays | <code>speed grade: - 100</code> |
| Courier bold | Literal commands that you enter in a syntactical statement | <code>ngdbuild design_name</code> |
| Helvetica bold | Commands that you select from a menu | File > Open |
| | Keyboard shortcuts | Ctrl+C |
| <i>Italic font</i> | Variables in a syntax statement for which you must supply values | <code>ngdbuild design_name</code> |
| | References to other manuals | See the <i>Command Line Tools User Guide</i> for more information. |
| | Emphasis in text | If a wire is drawn so that it overlaps the pin of a symbol, the two nets are <i>not</i> connected. |
| Square brackets [] | An optional entry or parameter. However, in bus specifications, such as bus[7:0] , they are required. | <code>ngdbuild [option_name] design_name</code> |

| Convention | Meaning or Use | Example |
|---------------------------|--|---|
| Braces { } | A list of items from which you must choose one or more | <code>lowpwr = {on off}</code> |
| Vertical bar | Separates items in a list of choices | <code>lowpwr = {on off}</code> |
| Vertical ellipsis | Repetitive material that has been omitted | IOB #1: Name = QOUT IOB #2: Name = CLKIN . . . |
| Horizontal ellipsis . . . | Repetitive material that has been omitted | <code>allow block . . . block_name loc1 loc2 ... locn;</code> |

Online Document

The following conventions are used in this document:

| Convention | Meaning or Use | Example |
|---------------------------|----------------------|---|
| Blue text | Cross-reference link | See the section Additional Resources for details. Refer to Title Formats in Chapter 1 for details. See Figure 2-5 in the Virtex®-6 Handbook . |

Additional Resources

To find additional documentation, see the Xilinx website at:

<http://www.xilinx.com/literature>

To search the Answer Database of silicon, software, and IP questions and answers, or to create a technical support WebCase, see the Xilinx website at:

<http://www.xilinx.com/support>

Table of Contents

| | |
|---|----|
| Xilinx Trademarks and Copyright Information..... | 2 |
| Preface About the XST User Guide for Virtex-6 and Spartan-6 Devices | 3 |
| Guide Contents..... | 3 |
| Acronyms | 4 |
| Conventions | 4 |
| Typographical | 4 |
| Online Document..... | 5 |
| Additional Resources | 5 |
| Chapter 1 Introduction to Xilinx Synthesis Technology (XST) | 23 |
| About Xilinx Synthesis Technology (XST) | 23 |
| What's New in This Release | 24 |
| Chapter 2 Creating and Synthesizing an XST Project..... | 25 |
| Creating an HDL Synthesis Project..... | 25 |
| HDL Project File Coding Example | 25 |
| Running XST in ISE Design Suite | 26 |
| Running XST in Command Line Mode | 26 |
| Running XST as a Standalone Tool | 26 |
| Running XST Interactively | 27 |
| Running XST in Scripted Mode | 27 |
| XST Script Files | 27 |
| XST Commands | 27 |
| XST Run Command | 27 |
| XST Set Command..... | 28 |
| XST Script Command | 29 |
| XST Help Command..... | 29 |
| Supported Families..... | 29 |
| All Commands for a Specific Device..... | 29 |
| Specific Commands for a Specific Device | 29 |
| Improving Readability of an XST Script File..... | 30 |
| XST Output Files..... | 30 |
| XST Typical Output Files | 31 |
| XST Temporary Output Files..... | 31 |
| Names With Spaces in Command Line Mode..... | 31 |
| Chapter 3 XST VHDL Language Support | 33 |
| Advantages of VHDL..... | 33 |
| VHDL IEEE Support | 33 |
| VHDL Data Types..... | 34 |
| VHDL Supported Data Types..... | 34 |
| VHDL Predefined Enumerated Types | 34 |
| VHDL User-Defined Enumerated Types | 35 |
| VHDL Bit Vector Types..... | 35 |
| VHDL Integer Types..... | 36 |
| VHDL Multi-Dimensional Array Types..... | 36 |
| VHDL Record Types..... | 37 |
| VHDL Unsupported Data Types | 37 |
| VHDL Objects | 38 |
| VHDL Signals..... | 38 |
| VHDL Variables | 38 |
| VHDL Constants..... | 38 |
| VHDL Operators | 39 |
| VHDL Entity and Architecture Descriptions | 39 |
| VHDL Circuit Descriptions..... | 40 |
| VHDL Entity Declarations | 40 |
| VHDL Architecture Declarations..... | 41 |
| VHDL Component Instantiation | 41 |

| | |
|--|----|
| VHDL Recursive Component Instantiation | 42 |
| VHDL Component Configuration | 43 |
| VHDL Generics | 43 |
| Conflicts Among VHDL Generics and Attributes | 44 |
| VHDL Combinatorial Circuits | 45 |
| VHDL Concurrent Signal Assignments | 45 |
| VHDL Generate Statements | 46 |
| VHDL For-Generate Statements | 47 |
| VHDL If-Generate Statements | 47 |
| VHDL Combinatorial Processes | 48 |
| About VHDL Combinatorial Processes | 48 |
| VHDL Variable and Signal Assignments | 49 |
| VHDL If-Else Statements | 49 |
| VHDL Case Statements | 50 |
| VHDL For-Loop Statements | 51 |
| VHDL Sequential Logic | 51 |
| VHDL Sequential Processes With a Sensitivity List | 52 |
| VHDL Sequential Processes Without a Sensitivity List | 52 |
| VHDL Initial Values and Operational Set/Reset | 53 |
| VHDL Default Initial Values on Memory Elements | 54 |
| VHDL Functions and Procedures | 55 |
| VHDL Assert Statements | 57 |
| VHDL Libraries and Packages | 59 |
| VHDL Libraries | 59 |
| VHDL Predefined Packages | 59 |
| VHDL Predefined Standard Packages | 60 |
| VHDL Predefined IEEE Packages | 60 |
| VHDL Predefined IEEE Real Type and IEEE math_real Packages | 60 |
| Defining Your Own VHDL Packages | 61 |
| Accessing VHDL Packages | 62 |
| VHDL File Type Support | 62 |
| XST VHDL File Read and File Write Capability | 62 |
| Loading Memory Contents from an External File | 64 |
| Writing to a File for Debugging Coding Examples | 64 |
| Rules for Debugging Using Write Operations | 66 |
| VHDL Constructs | 67 |
| VHDL Design Entities and Configurations | 67 |
| VHDL Expressions | 68 |
| Supported/Unsupported VHDL Operators | 68 |
| Supported/Unsupported VHDL Operands | 69 |
| VHDL Statements | 69 |
| VHDL Reserved Words | 70 |
| Chapter 4 XST Verilog Support | 73 |
| About XST Verilog Support | 73 |
| Verilog Variable Part Selects | 74 |
| Variable Part Selects Verilog Coding Example | 74 |
| Structural Verilog Features | 74 |
| Verilog Parameters | 76 |
| Verilog Parameter and Attribute Conflicts | 77 |
| Verilog Usage Restrictions in XST | 78 |
| Case Sensitivity | 78 |
| Blocking and Nonblocking Assignments | 78 |
| Integer Handling | 79 |
| Integer Handling in Verilog Case Statements | 79 |
| Integer Handling in Verilog Concatenations | 79 |
| Verilog-2001 Attributes and Meta Comments | 79 |
| Verilog-2001 Attributes | 79 |
| Verilog Meta Comments | 80 |
| Verilog Constructs | 81 |

| | |
|--|-----|
| Verilog Constants | 81 |
| Verilog Data Types | 81 |
| Verilog Continuous Assignments | 81 |
| Verilog Procedural Assignments | 81 |
| Verilog Design Hierarchies | 82 |
| Verilog Compiler Directives | 83 |
| Verilog System Tasks and Functions | 83 |
| Verilog System Tasks and Functions Supported in XST | 84 |
| Using Conversion Functions | 84 |
| Loading Memory Contents With File I/O Tasks | 84 |
| Display Tasks..... | 85 |
| Creating Design Rule Checks with \$finish..... | 85 |
| Verilog Primitives | 87 |
| Verilog Reserved Keywords..... | 88 |
| Verilog 2001 Support in XST | 89 |
| Chapter 5 XST Behavioral Verilog Support | 91 |
| Behavioral Verilog Variable Declarations | 91 |
| Behavioral Verilog Initial Values | 92 |
| Behavioral Verilog Arrays Coding Examples | 92 |
| Behavioral Verilog Multi-Dimensional Arrays | 92 |
| Behavioral Verilog Data Types | 93 |
| Behavioral Verilog Legal Statements | 94 |
| Behavioral Verilog Expressions | 94 |
| About Behavioral Verilog Expressions | 94 |
| Behavioral Verilog Supported Operators..... | 94 |
| Behavioral Verilog Supported Expressions..... | 95 |
| Results of Evaluating Expressions in Behavioral Verilog | 96 |
| Behavioral Verilog Blocks..... | 97 |
| Behavioral Verilog Modules..... | 97 |
| Behavioral Verilog Module Declaration | 98 |
| Behavioral Verilog Module Instantiation..... | 98 |
| Behavioral Verilog Continuous Assignment..... | 99 |
| Behavioral Verilog Procedural Assignments | 99 |
| About Behavioral Verilog Procedural Assignments..... | 99 |
| Combinatorial Always Blocks | 99 |
| If-Else Statements..... | 100 |
| Case Statements | 100 |
| For and Repeat Loops..... | 101 |
| While Loops | 102 |
| Sequential Always Blocks | 102 |
| Assign and Deassign Statements | 104 |
| Assignment Extension Past 32 Bits..... | 104 |
| Behavioral Verilog Tasks and Functions..... | 104 |
| About Behavioral Verilog Tasks and Functions..... | 104 |
| Behavioral Verilog Tasks and Functions Coding Examples | 105 |
| Behavioral Verilog Recursive Tasks and Functions..... | 106 |
| Behavioral Verilog Constant Functions | 106 |
| Behavioral Verilog Blocking Versus Non-Blocking Procedural Assignments | 107 |
| Behavioral Verilog Constants..... | 108 |
| Behavioral Verilog Macros..... | 108 |
| Behavioral Verilog Include Files..... | 108 |
| Behavioral Verilog Comments | 109 |
| Behavioral Verilog Generate Statements | 109 |
| About Behavioral Verilog Generate Statements | 109 |
| Behavioral Verilog Generate Loop Statements | 110 |
| Behavioral Verilog Generate Conditional Statements | 110 |
| Behavioral Verilog Generate Case Statements..... | 111 |
| Chapter 6 XST Mixed Language Support..... | 113 |
| About XST Mixed Language Support..... | 113 |

| | |
|--|-----|
| VHDL and Verilog Boundary Rules | 114 |
| About VHDL and Verilog Boundary Rules..... | 114 |
| Instantiating a VHDL Design Unit in a Verilog Design..... | 114 |
| Instantiating a Verilog Module in VHDL..... | 115 |
| Port Mapping | 115 |
| VHDL Instantiated in Verilog..... | 116 |
| Verilog Instantiated in VHDL..... | 116 |
| Generics Support | 116 |
| Library Search Order (LSO) Files | 117 |
| About Library Search Order (LSO) Files..... | 117 |
| Specifying Library Search Order (LSO) Files in ISE Design Suite | 117 |
| Specifying Library Search Order (LSO) Files in Command Line Mode | 117 |
| Library Search Order (LSO) Rules | 117 |
| Empty Library Search Order (LSO) Files | 117 |
| DEFAULT_SEARCH_ORDER Keyword Only..... | 118 |
| DEFAULT_SEARCH_ORDER Keyword and List of Libraries | 118 |
| List of Libraries Only | 118 |
| DEFAULT_SEARCH_ORDER Keyword and Non-Existent Library Name | 119 |
| Chapter 7 XST HDL Coding Techniques..... | 121 |
| About XST HDL Coding Techniques | 121 |
| Choosing a Description Language..... | 122 |
| Macro Inference Flow Overview | 122 |
| Flip-Flops and Registers | 123 |
| About Flip-Flops and Registers | 123 |
| Flip-Flops and Registers Initialization..... | 123 |
| Flip-Flops and Registers Control Signals..... | 123 |
| Flip-Flops and Registers Related Constraints..... | 124 |
| Flip-Flops and Registers Reporting..... | 125 |
| Flip-Flops and Registers Coding Examples | 125 |
| Latches..... | 127 |
| About Latches..... | 127 |
| Describing Latches | 127 |
| Latches Related Constraints | 127 |
| Latches Reporting | 128 |
| Latches Coding Examples | 128 |
| Tristates | 129 |
| About Tristates..... | 130 |
| Tristates Implementation | 130 |
| Tristates Related Constraints..... | 130 |
| Tristates Reporting | 131 |
| Tristates Coding Examples..... | 131 |
| Counters and Accumulators | 133 |
| About Counters and Accumulators | 133 |
| Counters and Accumulators Implementation..... | 134 |
| Counters and Accumulators Related Constraints..... | 135 |
| Counters and Accumulators Reporting..... | 135 |
| Counters and Accumulators Coding Examples..... | 135 |
| Shift Registers..... | 137 |
| About Shift Registers..... | 137 |
| Describing Shift Registers | 137 |
| Shift Registers Implementation | 137 |
| Shift Registers SRL-Based Implementation | 137 |
| Implementing Shift Registers on Block RAM | 138 |
| Implementing Shift Registers on LUT RAM..... | 140 |
| Shift Registers Related Constraints | 141 |
| Shift Registers Reporting | 142 |
| Shift Registers Coding Examples | 142 |
| Dynamic Shift Registers | 146 |
| About Dynamic Shift Registers..... | 146 |

| | |
|---|-----|
| Dynamic Shift Registers Related Constraints | 146 |
| Dynamic Shift Registers Reporting | 147 |
| Dynamic Shift Registers Coding Examples | 147 |
| Multiplexers | 149 |
| About Multiplexers | 149 |
| Multiplexers Implementation | 149 |
| Multiplexers Verilog Case Implementation Style Parameter | 150 |
| Multiplexers Related Constraints | 150 |
| Multiplexers Reporting | 150 |
| Multiplexers Coding Examples | 151 |
| Arithmetic Operators | 153 |
| About Arithmetic Operators | 153 |
| Arithmetic Operators Signed and Unsigned Support in XST | 153 |
| About Arithmetic Operators Signed and Unsigned Support in XST | 153 |
| Verilog Signed/Unsigned Support | 154 |
| VHDL Signed/Unsigned Support | 154 |
| Arithmetic Operators Implementation | 155 |
| Arithmetic Operators Slice Logic | 155 |
| Arithmetic Operators DSP Block Resources | 155 |
| Comparators | 156 |
| About Comparators | 156 |
| Comparators Related Constraints | 156 |
| Comparators Reporting | 156 |
| Comparators Coding Examples | 156 |
| Dividers | 157 |
| About Dividers | 157 |
| Dividers Related Constraints | 157 |
| Dividers Reporting | 158 |
| Dividers Coding Examples | 158 |
| Adders, Subtractors, and Adders/Subtractors | 158 |
| About Adders, Subtractors, and Adders/Subtractors | 159 |
| Describing a Carry Output | 159 |
| Adders, Subtractors, and Adders/Subtractors Implementation | 159 |
| Adders, Subtractors, and Adders/Subtractors Related Constraints | 160 |
| Adders, Subtractors, and Adders/Subtractors Reporting | 160 |
| Adders, Subtractors, and Adders/Subtractors Coding Examples | 160 |
| Multipliers | 161 |
| About Multipliers | 161 |
| Multipliers Implementation | 162 |
| About Multipliers Implementation | 162 |
| DSP Block Implementation | 162 |
| Slice Logic Implementation | 162 |
| Multiplication to a Constant | 163 |
| Multipliers Related Constraints | 163 |
| Multipliers Reporting | 164 |
| Multipliers Coding Examples | 164 |
| Multiply-Add and Multiply-Accumulate | 165 |
| About Multiply-Add and Multiply-Accumulate | 166 |
| Multiply-Add and Multiply-Accumulate Implementation | 166 |
| Multiply-Add and Multiply-Accumulate Related Constraints | 166 |
| Multiply-Add and Multiply-Accumulate Reporting | 167 |
| Multiply-Add and Multiply-Accumulate Coding Examples | 167 |
| Extended DSP Inferencing | 169 |
| About Extended DSP Inferencing | 169 |
| Symmetric Filters | 169 |
| Extended DSP Inferencing Coding Examples | 169 |
| Resource Sharing | 170 |
| About Resource Sharing | 171 |
| Resource Sharing Related Constraints | 171 |

| | |
|--|-----|
| Resource Sharing Reporting..... | 171 |
| Resource Sharing Coding Examples | 171 |
| RAMs | 173 |
| About RAMs..... | 173 |
| Distributed RAMs vs. Block RAMs..... | 173 |
| RAMs Supported Features | 174 |
| RAMs HDL Coding Guidelines..... | 174 |
| Modelling | 174 |
| Describing Write Access..... | 175 |
| Describing Write Access in VHDL..... | 175 |
| Describing Write Access in Verilog..... | 176 |
| Describing Read Access | 176 |
| Describing Read Access in VHDL | 176 |
| Describing Read Access in Verilog | 176 |
| Block RAM Read/Write Synchronization | 176 |
| Re-Settable Data Outputs (Block RAM)..... | 178 |
| Byte-Write Enable Support (Block RAM)..... | 178 |
| Asymmetric Ports Support | 180 |
| RAM Initial Contents..... | 180 |
| Specifying Initial Contents in the HDL Source Code..... | 180 |
| Specifying Initial Contents in an External Data File | 181 |
| Block RAM Optimization Strategies | 182 |
| About Block RAM Optimization Strategies..... | 183 |
| Block RAM Performance | 183 |
| Block RAM Device Utilization..... | 183 |
| Block RAM Power | 183 |
| Rules for Small RAMs..... | 183 |
| Mapping Logic and Finite State Machine (FSM) Components to Block RAM | 184 |
| Block RAM Resource Management | 184 |
| Block RAM Packing | 184 |
| Distributed RAM Pipelining | 184 |
| RAMs Related Constraints..... | 185 |
| RAM Reporting..... | 185 |
| RAMs Coding Examples..... | 187 |
| ROMs | 211 |
| About ROMs..... | 211 |
| ROMs Description..... | 211 |
| ROMs Modelling..... | 211 |
| Describing Read Access | 213 |
| ROMs Implementation | 213 |
| ROMs Related Constraints..... | 214 |
| ROMs Reporting | 214 |
| ROMs Coding Examples..... | 215 |
| Finite State Machine (FSM) Components | 216 |
| About Finite State Machine (FSM) Components | 217 |
| Finite State Machine (FSM) Description | 217 |
| About Finite State Machine (FSM) Description | 217 |
| State Register | 218 |
| Next State Equation | 218 |
| Unreachable States | 218 |
| Finite State Machine (FSM) Outputs | 218 |
| Finite State Machine (FSM) Inputs | 218 |
| State Encoding Techniques..... | 219 |
| Auto State Encoding | 219 |
| One-Hot State Encoding..... | 219 |
| Gray State Encoding..... | 219 |
| Compact State Encoding..... | 219 |
| Johnson State Encoding..... | 219 |
| Sequential State Encoding | 219 |

| | |
|---|-----|
| Speed1 State Encoding | 219 |
| User State Encoding | 219 |
| Implementing Finite State Machine (FSM) Components on block RAM Resources | 220 |
| Finite State Machine (FSM) Safe Implementation | 220 |
| Finite State Machine (FSM) Related Constraints | 220 |
| Finite State Machine (FSM) Reporting | 221 |
| Finite State Machine (FSM) Coding Examples | 222 |
| Black Boxes | 223 |
| About Black Boxes | 224 |
| Black Boxes Related Constraints | 224 |
| Black Boxes Reporting | 224 |
| Black Boxes Coding Examples | 224 |
| Chapter 8 XST FPGA Optimization | 227 |
| Low Level Synthesis | 227 |
| Mapping Logic to Block RAM | 227 |
| Flip-Flop Implementation Guidelines | 228 |
| Flip-Flop Retiming | 229 |
| About Flip-Flop Retiming | 229 |
| Limitations of Flip-Flop Retiming | 229 |
| Controlling Flip-Flop Retiming | 229 |
| Partitions | 229 |
| Speed Optimization Under Area Constraint | 230 |
| Implementation Constraints | 230 |
| Xilinx Device Primitive Support | 231 |
| About Device Primitive Support | 231 |
| Generating Primitives Through Attributes | 231 |
| Primitives and Black Boxes | 231 |
| VHDL and Verilog Xilinx Device Primitives Libraries | 232 |
| About VHDL and Verilog Xilinx Device Primitives Libraries | 232 |
| About VHDL and Verilog Xilinx Device Primitives Libraries | 232 |
| VHDL Xilinx® Device Primitives Device Libraries | 232 |
| Verilog Device Primitives Device Libraries | 232 |
| Primitive Instantiation Guidelines | 232 |
| Specifying Primitive Properties | 233 |
| Reporting of Instantiated Device Primitives | 233 |
| Primitives Related Constraints | 233 |
| Primitives Coding Examples | 233 |
| Using the UniMacro Library | 234 |
| Cores Processing | 235 |
| Loading Cores | 235 |
| Finding Cores | 235 |
| Cores Reporting | 235 |
| Mapping Logic to LUTs | 236 |
| Controlling Placement on the Device | 237 |
| Inserting Buffers | 237 |
| Using the PCI Flow With XST | 238 |
| About Using the PCI Flow With XST | 238 |
| Preventing Logic and Flip-Flop Replication | 238 |
| Disabling Read Cores | 238 |
| Chapter 9 XST Design Constraints | 239 |
| About Constraints | 239 |
| Specifying Constraints | 239 |
| Constraints Precedence Rules | 240 |
| Synthesis Options in ISE Design Suite | 240 |
| Setting XST Options in ISE Design Suite | 240 |
| Setting Other XST Command Line Options | 241 |
| Design Goals and Strategies | 241 |
| VHDL Attributes | 241 |
| Verilog-2001 Attributes | 242 |

| | |
|--|-----|
| About Verilog-2001 Attributes..... | 242 |
| Verilog-2001 Syntax..... | 242 |
| Verilog-2001 Limitations..... | 244 |
| Verilog Meta Comments..... | 244 |
| XST Constraint File (XCF)..... | 244 |
| About the XST Constraint File (XCF)..... | 244 |
| Native and Non-Native User Constraints File (UCF) Syntax..... | 245 |
| Native User Constraints File (UCF) Constraints..... | 246 |
| Non-Native User Constraints File (UCF) Constraints..... | 246 |
| Syntax Limitations..... | 246 |
| Timing Constraints Applicable Only Through the XST Constraint File (XCF) File..... | 247 |
| Chapter 10 XST General Constraints..... | 249 |
| Add I/O Buffers (-iobuf)..... | 250 |
| Architecture Support..... | 250 |
| Applicable Elements..... | 250 |
| Propagation Rules..... | 250 |
| Syntax Examples..... | 250 |
| BoxType (BOX_TYPE)..... | 250 |
| Architecture Support..... | 251 |
| Applicable Elements..... | 251 |
| Propagation Rules..... | 251 |
| Syntax Examples..... | 251 |
| Bus Delimiter (-bus_delimiter)..... | 252 |
| Architecture Support..... | 252 |
| Applicable Elements..... | 252 |
| Propagation Rules..... | 252 |
| Syntax Examples..... | 252 |
| Case (-case)..... | 252 |
| Architecture Support..... | 252 |
| Applicable Elements..... | 252 |
| Propagation Rules..... | 252 |
| Syntax Examples..... | 253 |
| Case Implementation Style (-vlgcase)..... | 253 |
| Architecture Support..... | 253 |
| Applicable Elements..... | 253 |
| Propagation Rules..... | 254 |
| Syntax Examples..... | 254 |
| Verilog Macros (-define)..... | 254 |
| Architecture Support..... | 254 |
| Applicable Elements..... | 254 |
| Propagation Rules..... | 254 |
| Syntax Examples..... | 254 |
| Duplication Suffix (-duplication_suffix)..... | 255 |
| Architecture Support..... | 255 |
| Applicable Elements..... | 256 |
| Propagation Rules..... | 256 |
| Syntax Examples..... | 256 |
| Full Case (FULL_CASE)..... | 256 |
| Architecture Support..... | 256 |
| Applicable Elements..... | 256 |
| Propagation Rules..... | 256 |
| Syntax Examples..... | 256 |
| Generate RTL Schematic (-rtlview)..... | 257 |
| Architecture Support..... | 257 |
| Applicable Elements..... | 257 |
| Propagation Rules..... | 257 |
| Syntax Examples..... | 258 |
| Generics (-generics)..... | 258 |
| Architecture Support..... | 258 |

| | |
|--|-----|
| Applicable Elements..... | 258 |
| Propagation Rules..... | 258 |
| Syntax Examples..... | 258 |
| Hierarchy Separator (-hierarchy_separator)..... | 259 |
| Architecture Support..... | 259 |
| Applicable Elements..... | 260 |
| Propagation Rules..... | 260 |
| Syntax Examples..... | 260 |
| I/O Standard (IOSTANDARD)..... | 260 |
| Keep (KEEP)..... | 260 |
| Keep Hierarchy (KEEP_HIERARCHY)..... | 261 |
| Keep Hierarchy Values..... | 261 |
| Preserving the Hierarchy..... | 261 |
| Keep Hierarchy Diagram..... | 261 |
| Architecture Support..... | 262 |
| Applicable Elements..... | 262 |
| Propagation Rules..... | 262 |
| Syntax Examples..... | 262 |
| Library Search Order (-lso)..... | 263 |
| Architecture Support..... | 263 |
| Applicable Elements..... | 263 |
| Propagation Rules..... | 263 |
| Syntax Examples..... | 263 |
| LOC..... | 263 |
| Netlist Hierarchy (-netlist_hierarchy)..... | 263 |
| Architecture Support..... | 264 |
| Applicable Elements..... | 264 |
| Propagation Rules..... | 264 |
| Syntax Examples..... | 264 |
| Optimization Effort (OPT_LEVEL)..... | 264 |
| Architecture Support..... | 264 |
| Applicable Elements..... | 264 |
| Propagation Rules..... | 265 |
| Syntax Examples..... | 265 |
| Optimization Goal (OPT_MODE)..... | 265 |
| Architecture Support..... | 265 |
| Applicable Elements..... | 265 |
| Propagation Rules..... | 266 |
| Syntax Examples..... | 266 |
| Parallel Case (PARALLEL_CASE)..... | 266 |
| Architecture Support..... | 266 |
| Applicable Elements..... | 266 |
| Propagation Rules..... | 266 |
| Syntax Examples..... | 267 |
| RLOC..... | 267 |
| Save (S / SAVE)..... | 267 |
| Synthesis Constraint File (-uc)..... | 268 |
| Architecture Support..... | 268 |
| Applicable Elements..... | 268 |
| Propagation Rules..... | 268 |
| Syntax Examples..... | 268 |
| Translate Off (TRANSLATE_OFF) and Translate On (TRANSLATE_ON)..... | 268 |
| Architecture Support..... | 269 |
| Applicable Elements..... | 269 |
| Propagation Rules..... | 269 |
| Syntax Examples..... | 269 |
| Ignore Synthesis Constraints File (-iuc)..... | 269 |
| Architecture Support..... | 269 |
| Applicable Elements..... | 269 |

| | |
|---|-----|
| Propagation Rules | 269 |
| Syntax Examples | 270 |
| Verilog Include Directories (-vlgincdir) | 270 |
| Architecture Support | 270 |
| Applicable Elements | 270 |
| Propagation Rules | 270 |
| Syntax Examples | 270 |
| HDL Library Mapping File (-xsthdpini) | 271 |
| Architecture Support | 271 |
| Applicable Elements | 272 |
| Propagation Rules | 272 |
| Syntax Examples | 272 |
| Work Directory (-xsthdpdir) | 272 |
| Work Directory Example | 272 |
| Architecture Support | 273 |
| Applicable Elements | 273 |
| Propagation Rules | 273 |
| Syntax Examples | 273 |
| Chapter 11 XST HDL Constraints | 275 |
| Automatic FSM Extraction (FSM_EXTRACT) | 275 |
| Architecture Support | 275 |
| Applicable Elements | 275 |
| Propagation Rules | 275 |
| Syntax Examples | 275 |
| Enumerated Encoding (ENUM_ENCODING) | 276 |
| Architecture Support | 276 |
| Applicable Elements | 276 |
| Propagation Rules | 277 |
| Syntax Examples | 277 |
| Equivalent Register Removal (EQUIVALENT_REGISTER_REMOVAL) | 277 |
| Architecture Support | 277 |
| Applicable Elements | 277 |
| Propagation Rules | 277 |
| Syntax Examples | 278 |
| FSM Encoding Algorithm (FSM_ENCODING) | 278 |
| Architecture Support | 279 |
| Applicable Elements | 279 |
| Propagation Rules | 279 |
| Syntax Examples | 279 |
| Mux Extraction (MUX_EXTRACT) | 280 |
| Architecture Support | 280 |
| Applicable Elements | 280 |
| Propagation Rules | 280 |
| Syntax Examples | 280 |
| Mux Minimal Size (MUX_MIN_SIZE) | 281 |
| Architecture Support | 281 |
| Applicable Elements | 282 |
| Propagation Rules | 282 |
| Syntax Examples | 282 |
| Resource Sharing (RESOURCE_SHARING) | 282 |
| Architecture Support | 282 |
| Applicable Elements | 282 |
| Propagation Rules | 283 |
| Syntax Examples | 283 |
| Safe Recovery State (SAFE_RECOVERY_STATE) | 283 |
| Architecture Support | 284 |
| Applicable Elements | 284 |
| Propagation Rules | 284 |
| Syntax Examples | 284 |

| | |
|---|-----|
| Safe Implementation (SAFE_IMPLEMENTATION) | 284 |
| Architecture Support | 285 |
| Applicable Elements | 285 |
| Propagation Rules | 285 |
| Syntax Examples | 285 |
| Chapter 12 XST FPGA Constraints (Non-Timing) | 287 |
| Asynchronous to Synchronous (ASYNC_TO_SYNC) | 288 |
| Architecture Support | 289 |
| Applicable Elements | 289 |
| Propagation Rules | 289 |
| Syntax Examples | 289 |
| Automatic BRAM Packing (AUTO_BRAM_PACKING) | 289 |
| Architecture Support | 289 |
| Applicable Elements | 290 |
| Propagation Rules | 290 |
| Syntax Examples | 290 |
| BRAM Utilization Ratio (BRAM_UTILIZATION_RATIO) | 290 |
| Architecture Support | 290 |
| Applicable Elements | 290 |
| Propagation Rules | 291 |
| Syntax Examples | 291 |
| Buffer Type (BUFFER_TYPE) | 292 |
| Architecture Support | 292 |
| Applicable Elements | 292 |
| Propagation Rules | 292 |
| Syntax Examples | 292 |
| Extract BUFGCE (BUFGCE) | 292 |
| Architecture Support | 293 |
| Applicable Elements | 293 |
| Propagation Rules | 293 |
| Syntax Examples | 293 |
| Cores Search Directories (-sd) | 293 |
| Architecture Support | 293 |
| Applicable Elements | 293 |
| Propagation Rules | 294 |
| Syntax Examples | 294 |
| DSP Utilization Ratio (DSP_UTILIZATION_RATIO) | 294 |
| Architecture Support | 294 |
| Applicable Elements | 294 |
| Propagation Rules | 294 |
| Syntax Examples | 294 |
| FSM Style (FSM_STYLE) | 295 |
| Architecture Support | 295 |
| Applicable Elements | 295 |
| Propagation Rules | 295 |
| Syntax Examples | 295 |
| Power Reduction (POWER) | 296 |
| Architecture Support | 297 |
| Applicable Elements | 297 |
| Propagation Rules | 297 |
| Syntax Examples | 297 |
| Read Cores (READ_CORES) | 298 |
| Architecture Support | 298 |
| Applicable Elements | 298 |
| Propagation Rules | 298 |
| Syntax Examples | 298 |
| Resynthesize (RESYNTHESIZE) | 299 |
| Architecture Support | 299 |
| Applicable Elements | 299 |

| | |
|---|-----|
| Propagation Rules..... | 300 |
| Syntax Examples..... | 300 |
| Incremental Synthesis (INCREMENTAL_SYNTHESIS) | 300 |
| Architecture Support..... | 300 |
| Applicable Elements..... | 300 |
| Propagation Rules..... | 300 |
| Syntax Examples..... | 300 |
| LUT Combining (LC)..... | 301 |
| Architecture Support..... | 301 |
| Applicable Elements..... | 301 |
| Propagation Rules..... | 301 |
| Syntax Examples..... | 301 |
| Map Logic on BRAM (BRAM_MAP)..... | 302 |
| Architecture Support..... | 302 |
| Applicable Elements..... | 302 |
| Propagation Rules..... | 302 |
| Syntax Examples..... | 302 |
| Max Fanout (MAX_FANOUT)..... | 303 |
| Architecture Support..... | 303 |
| Applicable Elements..... | 303 |
| Propagation Rules..... | 303 |
| Syntax Examples..... | 304 |
| Move First Stage (MOVE_FIRST_STAGE)..... | 304 |
| Architecture Support..... | 305 |
| Applicable Elements..... | 305 |
| Propagation Rules..... | 305 |
| Syntax Examples..... | 306 |
| Move Last Stage (MOVE_LAST_STAGE)..... | 306 |
| Architecture Support..... | 306 |
| Applicable Elements..... | 306 |
| Propagation Rules..... | 307 |
| Syntax Examples..... | 307 |
| Multiplier Style (MULT_STYLE)..... | 307 |
| Architecture Support..... | 308 |
| Applicable Elements..... | 308 |
| Propagation Rules..... | 308 |
| Syntax Examples..... | 308 |
| Number of Global Clock Buffers (-bufg)..... | 309 |
| Architecture Support..... | 309 |
| Applicable Elements..... | 309 |
| Propagation Rules..... | 309 |
| Syntax Examples..... | 309 |
| Optimize Instantiated Primitives (OPTIMIZE_PRIMITIVES)..... | 309 |
| Architecture Support..... | 310 |
| Applicable Elements..... | 310 |
| Propagation Rules..... | 310 |
| Syntax Examples..... | 310 |
| Pack I/O Registers Into IOBs (IOB)..... | 311 |
| RAM Extraction (RAM_EXTRACT)..... | 311 |
| Architecture Support..... | 311 |
| Applicable Elements..... | 311 |
| Propagation Rules..... | 311 |
| Syntax Examples..... | 311 |
| RAM Style (RAM_STYLE)..... | 312 |
| Architecture Support..... | 312 |
| Applicable Elements..... | 313 |
| Propagation Rules..... | 313 |
| Syntax Examples..... | 313 |
| Reduce Control Sets (REDUCE_CONTROL_SETS)..... | 314 |

| | |
|---|-----|
| Architecture Support..... | 314 |
| Applicable Elements..... | 314 |
| Propagation Rules..... | 314 |
| Syntax Examples..... | 314 |
| Register Balancing (REGISTER_BALANCING)..... | 314 |
| Forward Register Balancing..... | 314 |
| Backward Register Balancing..... | 315 |
| Register Balancing Values..... | 316 |
| Additional Constraints That Affect Register Balancing..... | 316 |
| Architecture Support..... | 316 |
| Applicable Elements..... | 317 |
| Propagation Rules..... | 317 |
| Syntax Examples..... | 317 |
| Register Duplication (REGISTER_DUPLICATION)..... | 318 |
| Architecture Support..... | 318 |
| Applicable Elements..... | 318 |
| Propagation Rules..... | 318 |
| Syntax Examples..... | 318 |
| ROM Extraction (ROM_EXTRACT)..... | 319 |
| Architecture Support..... | 319 |
| Applicable Elements..... | 319 |
| Propagation Rules..... | 319 |
| Syntax Examples..... | 319 |
| ROM Style (ROM_STYLE)..... | 320 |
| Architecture Support..... | 320 |
| Applicable Elements..... | 320 |
| Propagation Rules..... | 321 |
| Syntax Examples..... | 321 |
| Shift Register Extraction (SHREG_EXTRACT)..... | 322 |
| Architecture Support..... | 322 |
| Applicable Elements..... | 322 |
| Propagation Rules..... | 322 |
| Syntax Examples..... | 322 |
| Slice Packing (--slice_packing)..... | 323 |
| Architecture Support..... | 323 |
| Applicable Elements..... | 323 |
| Propagation Rules..... | 323 |
| Syntax Examples..... | 323 |
| Use Low Skew Lines (USELOWSKEWLINES)..... | 323 |
| Slice (LUT-FF Pairs) Utilization Ratio (SLICE_UTILIZATION_RATIO)..... | 324 |
| Architecture Support..... | 324 |
| Applicable Elements..... | 324 |
| Propagation Rules..... | 324 |
| Syntax Examples..... | 324 |
| Slice (LUT-FF Pairs) Utilization Ratio Delta (SLICE_UTILIZATION_RATIO_MAXMARGIN)..... | 325 |
| Architecture Support..... | 325 |
| Applicable Elements..... | 325 |
| Propagation Rules..... | 325 |
| Syntax Examples..... | 326 |
| Map Entity on a Single LUT (LUT_MAP)..... | 327 |
| Architecture Support..... | 327 |
| Applicable Elements..... | 327 |
| Propagation Rules..... | 327 |
| Syntax Examples..... | 327 |
| Use Carry Chain (USE_CARRY_CHAIN)..... | 328 |
| Architecture Support..... | 328 |
| Applicable Elements..... | 328 |
| Propagation Rules..... | 328 |
| Syntax Examples..... | 328 |

| | |
|--|-----|
| Convert Tristates to Logic (TRISTATE2LOGIC) | 329 |
| Convert Tristates to Logic Limitations..... | 329 |
| Architecture Support..... | 329 |
| Applicable Elements..... | 329 |
| Propagation Rules..... | 329 |
| Syntax Examples..... | 330 |
| Use Clock Enable (USE_CLOCK_ENABLE)..... | 330 |
| Architecture Support..... | 331 |
| Applicable Elements..... | 331 |
| Propagation Rules..... | 331 |
| Syntax Examples..... | 331 |
| Use Synchronous Set (USE_SYNC_SET)..... | 332 |
| Architecture Support..... | 332 |
| Applicable Elements..... | 332 |
| Propagation Rules..... | 332 |
| Syntax Examples..... | 333 |
| Use Synchronous Reset (USE_SYNC_RESET)..... | 333 |
| Architecture Support..... | 334 |
| Applicable Elements..... | 334 |
| Propagation Rules..... | 334 |
| Syntax Examples..... | 334 |
| Use DSP Block (USE_DSP48)..... | 335 |
| Architecture Support..... | 335 |
| Applicable Elements..... | 336 |
| Propagation Rules..... | 336 |
| Syntax Examples..... | 336 |
| Chapter 13 XST Timing Constraints | 337 |
| Applying Timing Constraints | 337 |
| About Applying Timing Constraints | 337 |
| Applying Timing Constraints Using Global Optimization Goal..... | 338 |
| Applying Timing Constraints Using the User Constraints File (UCF)..... | 338 |
| Writing Constraints to the NGC File | 338 |
| Additional Options Affecting Timing Constraint Processing | 338 |
| Cross Clock Analysis (-cross_clock_analysis) | 338 |
| Architecture Support..... | 338 |
| Applicable Elements..... | 338 |
| Propagation Rules..... | 339 |
| Syntax Examples..... | 339 |
| Write Timing Constraints (-write_timing_constraints)..... | 339 |
| Architecture Support..... | 339 |
| Applicable Elements..... | 339 |
| Propagation Rules..... | 339 |
| Syntax Examples..... | 339 |
| Clock Signal (CLOCK_SIGNAL)..... | 340 |
| Architecture Support..... | 340 |
| Applicable Elements..... | 340 |
| Propagation Rules..... | 340 |
| Syntax Examples..... | 340 |
| Global Optimization Goal (-glob_opt) | 340 |
| Global Optimization Goal Domain Definitions | 341 |
| XCF Timing Constraint Support..... | 342 |
| Period (PERIOD)..... | 342 |
| Architecture Support..... | 342 |
| Applicable Elements..... | 342 |
| Propagation Rules..... | 342 |
| Syntax Examples..... | 343 |
| Offset (OFFSET)..... | 343 |
| Architecture Support..... | 343 |
| Applicable Elements..... | 343 |

| | |
|--|-----|
| Propagation Rules..... | 343 |
| Syntax Examples..... | 343 |
| From-To (FROM-TO)..... | 343 |
| Architecture Support..... | 343 |
| Applicable Elements..... | 343 |
| Propagation Rules..... | 344 |
| Syntax Examples..... | 344 |
| Timing Name (TNM)..... | 344 |
| Architecture Support..... | 344 |
| Applicable Elements..... | 344 |
| Propagation Rules..... | 344 |
| Syntax Examples..... | 344 |
| Timing Name on a Net (TNM_NET)..... | 344 |
| Architecture Support..... | 345 |
| Applicable Elements..... | 345 |
| Propagation Rules..... | 345 |
| Syntax Examples..... | 345 |
| Timegroup (TIMEGRP)..... | 345 |
| Architecture Support..... | 345 |
| Applicable Elements..... | 345 |
| Propagation Rules..... | 345 |
| Syntax Examples..... | 345 |
| Timing Ignore (TIG)..... | 346 |
| Architecture Support..... | 346 |
| Applicable Elements..... | 346 |
| Propagation Rules..... | 346 |
| Syntax Examples..... | 346 |
| Chapter 14 XST-Supported Third Party Constraints..... | 347 |
| XST Equivalents to Third Party Constraints..... | 347 |
| Third Party Constraints Syntax Examples..... | 351 |
| Third Party Constraints Verilog Syntax Example..... | 351 |
| Third Party Constraints XCF Syntax Examples..... | 351 |
| Chapter 15 XST Synthesis Report..... | 353 |
| About the XST Synthesis Report..... | 353 |
| XST Synthesis Report Contents..... | 353 |
| XST Synthesis Report Table of Contents..... | 354 |
| XST Synthesis Report Synthesis Options Summary..... | 354 |
| XST Synthesis Report DL Parsing and Elaboration Section..... | 354 |
| XST Synthesis Report HDL Synthesis Section..... | 354 |
| XST Synthesis Report Advanced HDL Synthesis Section..... | 354 |
| XST Synthesis Report Low Level Synthesis Section..... | 354 |
| XST Synthesis Report Partition Report..... | 355 |
| XST Synthesis Report Design Summary..... | 355 |
| Primitive and Black Box Usage..... | 355 |
| Device Utilization Summary..... | 355 |
| Partition Resource Summary..... | 356 |
| Timing Report..... | 356 |
| Clock Information..... | 356 |
| Asynchronous Control Signals Information..... | 356 |
| Timing Summary..... | 356 |
| Timing Details..... | 357 |
| Encrypted Modules..... | 357 |
| XST Synthesis Report Navigation..... | 357 |
| Command Line Mode Report Navigation..... | 357 |
| ISE Design Suite Report Navigation..... | 358 |
| XST Synthesis Report Information..... | 358 |
| Message Filtering..... | 358 |
| Quiet Mode..... | 358 |
| Silent Mode..... | 359 |

| | |
|--|-----|
| Chapter 16 XST Naming Conventions | 361 |
| About XST Naming Conventions | 361 |
| XST Naming Conventions Coding Examples | 361 |
| Reg in Labelled Always Block Verilog Coding Example | 362 |
| Primitive Instantiation in If-Generate Without Label Verilog Coding Example..... | 362 |
| Primitive Instantiation in If-Generate With Label Verilog Coding Example..... | 363 |
| Variable in Labelled Process VHDL Coding Example..... | 363 |
| Flip-Flop Modelled With a Boolean VHDL Coding Example | 364 |
| XST Net Naming Conventions | 364 |
| XST Instance Naming Conventions | 365 |
| XST Case Preservation..... | 365 |
| XST Name Generation Control..... | 365 |

Introduction to Xilinx Synthesis Technology (XST)

Note The *XST User Guide for Virtex-6 and Spartan-6 Devices* applies to Xilinx® Virtex®-6 and Spartan®-6 devices only. For information on using XST with other devices, see the *XST User Guide*.

This chapter provides general information about Xilinx Synthesis Technology (XST), and describes the changes to XST in this release. This chapter includes:

- [About Xilinx Synthesis Technology \(XST\)](#)
- [What's New in This Release](#)

About Xilinx Synthesis Technology (XST)

The Xilinx Synthesis Technology (XST) software:

- Is the Xilinx® proprietary logic synthesis solution
- Is available in:
 - ISE® Design Suite
 - PlanAhead™
- Can run as a standalone tool in command-line mode

The Xilinx Synthesis Technology (XST) software:

1. Takes the description of a design in a Hardware Description Language (HDL) (VHDL or Verilog)
2. Converts it to a synthesized netlist of Xilinx technology-specific logical resources

The synthesized netlist, representing a logical view of the design, is then:

1. Processed by the design implementation tool chain
2. Converted into a physical representation
3. Converted to a bitstream file to program Xilinx devices

For more information about XST, see *Xilinx Synthesis Technology (XST) - Frequently Asked Questions (FAQ)*. Search for keyword *XST FAQ*.

What's New in This Release

The following enhancements are new in this release:

- Extended support for the following devices:
 - Spartan®-6 XA automotive device family
 - Spartan-6 -4 speedgrade
 - Spartan-6 -1L speedgrade
- The new constraint [Mux Minimal Size \(MUX_MIN_SIZE\)](#).

This constraint can help improve device utilization for certain Virtex®-6 and Spartan-6 designs.

- Design rule checking in Verilog using the `$finish` system task.

For more information, see [Creating Design Rule Checks with \\$finish](#).

Creating and Synthesizing an XST Project

Note The *XST User Guide for Virtex-6 and Spartan-6 Devices* applies to Xilinx® Virtex®-6 and Spartan®-6 devices only. For information on using XST with other devices, see the *XST User Guide*.

This chapter discusses creating and synthesizing an XST Project, and includes:

- [Creating an HDL Synthesis Project](#)
- [Running XST in ISE® Design Suite](#)
- [Running XST in Command Line Mode](#)
- [XST Output Files](#)

Creating an HDL Synthesis Project

Unlike other synthesis tools, XST separates information about the design from information specifying how XST should process it.

- Information about the design is stored in an HDL Synthesis Project.
- Synthesis parameters are provided in an XST Script file.

An HDL synthesis project is an ASCII text file that lists the various HDL source files that compose the design. It usually has a `.prj` extension. Each line specifies a separate HDL source file.

The syntax is:

```
<hdl_language> <compilation_library> <source_file>
```

where

- *hdl_language* specifies whether the designated HDL source file is written in VHDL or Verilog. This field allows you to create mixed VHDL and Verilog language projects.
- *compilation_library* specifies the logic library where the HDL is compiled. The default logic library is `work`.
- *source_file* specifies the HDL source file, and can use an absolute or a relative path. A relative path is relative to the location of the HDL synthesis project file.

HDL Project File Coding Example

The following HDL project file example uses relative paths:

```
vhdl      work      my_vhdl1.vhd
verilog   work      my_vlg1.v
vhdl      my_vhdl_lib  ../my_other_srcdir/my_vhdl2.vhd
verilog   my_vlg_lib  my_vlg2.v
```

When run from XST in ISE® Design Suite, XST automatically creates an HDL project file with a `.prj` extension in the project directory. Entries are added to the project file whenever you add an HDL source file to the project. For more information, see the ISE Design Suite Help.

If you run XST from the command line, you must create the HDL synthesis project file manually. For XST to load the HDL synthesis project, you must provide an Input File Name (**-ifn**) switch on the run command line. The switch tells XST the location of the HDL synthesis project file.

Running XST in ISE Design Suite

To run XST in ISE® Design Suite:

1. Create a new project (**File > New Project**)
2. Import HDL source files (**Project > Add Copy of Source**)
3. In **Design > Hierarchy**, select the top-level block of the design
4. If ISE Design Suite did not select the correct block as the top-level block:
 - a. Select the correct block
 - b. Right-click **Select Set as Top Module**
 - c. Right-click **Processes > Synthesize-XST**
5. To view all available synthesis options, select **Process > Properties**.
6. To start synthesis:
 - a. Right-click
 - b. Select **Run** (Or double-click **Synthesize-XST**).

For more information, see the ISE Design Suite Help.

Running XST in Command Line Mode

This section discusses Running XST in Command Line Mode, and includes:

- [Running XST as a Standalone Tool](#)
- [Running XST Interactively](#)
- [Running XST in Scripted Mode](#)
- [XST Script Files](#)
- [XST Commands](#)
- [Improving Readability of an XST Script File](#)

Running XST as a Standalone Tool

XST can run as a standalone tool from a terminal or console window. Use command line mode to run XST as part of a scripted design implementation instead of using the graphical environment of ISE® Design Suite.

Before running XST in command line mode, set the following environment variables to point to the correct Xilinx® software installation directory. The following example is for 64-bit Linux.

```
setenv XILINX setenv PATH $XILINX/bin/lin64:$PATH
setenv LD_LIBRARY_PATH $XILINX/lib/lin64:$LD_LIBRARY_PATH
```

The XST command line syntax is:

```
xst[.exe] [-ifn in_file_name] [-ofn out_file_name] [-intstyle
```

To run XST in command line mode:

- On Linux, run **xst**
- On Windows, run **xst.exe**

XST command line options include:

- **-ifn**
Designates the XST script file containing the commands to execute
 - If the **-ifn** switch is omitted, XST runs interactively
 - If the **-ifn** switch is specified, XST runs in scripted mode
- **-ofn**
Forces redirection of the XST log to a directory and file of your choice. By default, the XST log is written to an `.srp` file in the work directory.
- **intstyle**
Controls reporting on the standard output. If you are running XST in command line mode, see [Silent Mode](#) in [Chapter 15, XST Synthesis Report](#).

Running XST Interactively

If you run XST without the **-ifn** option, you can enter instructions at the XST command prompt. The **-ifn** option has no effect in interactive mode, since no XST log file is created.

Running XST in Scripted Mode

Rather than typing or pasting commands at the command prompt, Xilinx® recommends that you create an XST script file containing the desired commands and options. When you run XST as part of a scripted design implementation flow, you must either manually prepare an XST script file in advance, or automatically generate it on the fly.

XST Script Files

An XST script file is an ASCII text file containing one or more XST commands. Each command can include various options. There is no mandatory file extension for XST script files. ISE® Design Suite creates XST script files with an `.xst` extension.

An XST script file is passed to XST by the **-ifn** option:

```
xst -ifn myscript.xst
```

XST Commands

XST recognizes the following commands:

- [XST Run Command](#)
- [XST Set Command](#)
- [XST Script Command](#)
- [XST Help Command](#)

You can control some commands with options. Using an option incorrectly generates an error message.

```
ERROR:Xst:1361 - Syntax error in command run for option "-ofmt" :  
parameter "EDN" is not allowed.
```

XST Run Command

The **run** command is the main synthesis command. The **run** command allows you to run synthesis in its entirety, beginning with the parsing of the HDL source files, and ending with the generation of the final netlist.

The **run** command can also be used to run HDL Parsing and Elaboration only. You can do so to verify language compliance, or to pre-compile HDL files. You can use the run command only once per script file.

The syntax is:

```
run option_1 value option_2 value ...
```

Except for option values that designate elements of the HDL description (for example the top-level module of the design), the run command is not case sensitive. You can specify an option in either lower case or upper case. For example, option values of **yes** and **YES** are treated identically.

The following table lists basic options that should be part of every **run** command. Most are mandatory.

XST Run Command Basic Options

| Option | Type | Command Line Name | Option Value |
|-----------------------------|-----------|-------------------|---|
| Input File Name | Mandatory | -ifn | Relative or absolute path to an HDL Synthesis Project file. |
| Output File Name | Mandatory | -ofn | Relative or absolute path to a file where the post-synthesis NGC netlist is to be saved. The .ngc extension may be omitted. |
| Target Device | Mandatory | -p | A specific device, such as xc6vlx240t-ff1759-1, or generic device family appellation, such as virtex6. |
| Top Module Name | Mandatory | -top | Name of the VHDL entity or Verilog module describing the top level of your design. |
| VHDL Top Level Architecture | Optional | -ent | Name of the specific VHDL architecture to be tied to the top level VHDL entity. Not applicable if the top level of your design is described in Verilog. |

For additional command line options, see:

- [Chapter 10, XST General Constraints](#)
- [Chapter 11, XST HDL Constraints](#)
- [Chapter 12, XST FPGA Constraints \(Non-Timing\)](#)
- [Chapter 13, XST Timing Constraints](#)
- [Chapter 14, XST-Supported Third Party Constraints](#)

XST Set Command

Use **set** to set preferences before invoking **run**.

```
set -option_name [option_value]
```

XST **set** command options are shown in the following table. For more information, see [Chapter 9, XST Design Constraints](#).

XST Set Command Options

| Option | Description | Values |
|-------------------------|---|-------------------------------|
| <code>-tmpdir</code> | Location of all temporary files generated by XST during a session | Any valid path to a directory |
| <code>-xsthdpdir</code> | Work Directory (location of all files resulting from HDL compilation) | Any valid path to a directory |
| <code>-xsthdpini</code> | HDL Library Mapping File (.INI file) | file_name |

XST Script Command

In interactive mode, the `script` command loads and executes an XST Script file.

The syntax is:

```
script script_file_name
```

The `script` command provides an absolute or relative path to the XST script files.

XST Help Command

Use the `help` command to see:

- Supported Families
- All Commands for a Specific Device
- Specific Commands for a Specific Device

Supported Families

For a list of supported families, type `help` at the command line with no argument.

```
help
```

XST issues the following message:

```
--> help ERROR:Xst:1356 - Help : Missing "-arch ".
Please specify what family you want to target
available families:
spartan6
virtex6
```

All Commands for a Specific Device

For a list of all commands for a specific device, type the following at the command line:

```
help -arch family_name
```

where

family_name is a supported device family

For example, to view a list of all commands for Virtex®-6 devices, type:

```
help -arch virtex6
```

Specific Commands for a Specific Device

For information about a specific command for a specific device, type the following at the command line:

```
help -arch family_name -command command_name
```

where

- *family_name* is a supported device family
- *command_name* is one of the following commands:
 - **run**
 - **set**
 - **time**

For example, to see information about the **run** command for Virtex-6 devices type:

```
help -arch virtex6 -command run
```

Improving Readability of an XST Script File

To improve the readability of an XST script file, especially if you use many options to run synthesis, observe the following:

- Each option-value pair is on a separate line.
 - The first line contains only the **run** command without any options.
 - There are no blank lines in the middle of the command.
 - Each line containing an option-value pair begins with a dash (-).
 - **-ifn**
 - **-ifmt**
 - **-ofn**
 - Each option has one value.
 - There are no options without a value.
 - The value for a given option can be:
 - Predefined by XST (for example, **yes** or **no**)
 - Any string, such as a file name or a name of the top level entityOptions such as **-vlgindir** accept several directories as values. Separate the directories with spaces, and enclose them in braces `{...}`.

```
-vlgindir {c:\vlg1 c:\vlg2}
```

For more information, see [Names With Spaces in Command Line Mode](#).
 - An integer
- Use the pound (#) character to comment out options, or to place additional comments in the script file.

Example XST Script File

```
run
-ifn myproject.prj
-ofn myproject.ngc
-ofmt NGC
-p virtex6
# -opt_mode area
-opt_mode speed
-opt_level 1
```

XST Output Files

This section discusses XST Output Files, and includes:

- [XST Typical Output Files](#)
- [XST Temporary Output Files](#)
- [Names With Spaces in Command Line Mode](#)

XST Typical Output Files

XST typically generates the following output files:

- Output NGC netlist (.ngc)
 - In ISE® Design Suite, the .ngc file is created in the project directory.
 - In command line mode, the .ngc file is created in the current directory, or in any other directory specified by **run -ofn**.
- Register Transfer Level (RTL) netlist for the RTL Viewer (.ngr)
- Synthesis log file (.srp)
- Temporary files

XST Temporary Output Files

In command line mode, XST generates temporary files in the XST `temp` directory. The default XST `temp` directory is:

- Workstations
 /`tmp`
- Windows

The directory specified by either the `TEMP` or `TMP` environment variable

Run **set -tmpdir <directory>** at the XST prompt, or in an XST script file, to change the XST `temp` directory.

HDL compilation files are generated in the `temp` directory. The default `temp` directory is the `xst` subdirectory of the current directory.

The `temp` directory contains the files resulting from the compilation of all VHDL and Verilog files during all XST sessions. Eventually, the number of files stored in the `temp` directory can severely impact CPU performance. Since XST does not automatically clean the `temp` directory, Xilinx® recommends that you manually clean the XST `temp` directory regularly.

Names With Spaces in Command Line Mode

XST supports file and directory names with spaces in command line mode. Enclose file or directory names containing spaces in double quotes:

```
"C:\my project"
```

The command line syntax for options supporting multiple directories (**-sd**, **-vlgindir**) has changed. Enclose multiple directories in braces {...}:

```
-vlgindir {"C:\my project" C:\temp}
```

In previous releases of XST, multiple directories were included in double quotes. XST still supports this convention, provided directory names do not contain spaces. Xilinx® recommends that you change existing scripts to the new syntax.

XST VHDL Language Support

Note The *XST User Guide for Virtex-6 and Spartan-6 Devices* applies to Xilinx® Virtex®-6 and Spartan®-6 devices only. For information on using XST with other devices, see the *XST User Guide*.

This chapter discusses XST support for VHSIC Hardware Description Language (VHDL), and includes:

- [Advantages of VHDL](#)
- [VHDL IEEE Support](#)
- [VHDL Data Types](#)
- [VHDL Objects](#)
- [VHDL Operators](#)
- [VHDL Entity and Architecture Descriptions](#)
- [VHDL Combinatorial Circuits](#)
- [VHDL Sequential Logic](#)
- [VHDL Functions and Procedures](#)
- [VHDL Assert Statements](#)
- [VHDL Libraries and Packages](#)
- [VHDL File Type Support](#)
- [VHDL Constructs](#)
- [VHDL Reserved Words](#)

For more information, see:

- [IEEE VHDL Language Reference Manual \(LRM\)](#)
- [Chapter 9, XST Design Constraints](#)
- [VHDL Attributes](#) in [Chapter 9, XST Design Constraints](#)

Advantages of VHDL

VHDL offers a broad set of constructs for compactly describing complicated logic. VHDL allows you to:

- Describe the structure of a system — how it is decomposed into subsystems, and how those subsystems are interconnected.
- Specify the function of a system using familiar programming language forms.
- Simulate a system design before it is implemented and programmed in hardware.
- Easily produce a detailed, device-dependent version of a design to be synthesized from a more abstract specification. This feature allows you to concentrate on more strategic design decisions, and reduce the overall time to market for the design.

VHDL IEEE Support

XST features a VHDL IEEE 1076-1993 fully compliant parsing and elaboration engine.

XST supports non-LRM compliant constructs when the construct:

- Is supported by the majority of synthesis and simulation tools
- Greatly simplifies coding
- Does not cause problems during synthesis
- Does not negatively impact quality of results

For example, the LRM does not allow instantiation with a port map where a formal port is a **buffer** and the corresponding effective port is an **out** (and vice-versa). XST does support such instantiation.

VHDL Data Types

This section discusses VHDL Data Types, and includes:

- [VHDL Supported Data Types](#)
- [VHDL Unsupported Data Types](#)

Some of the types described below are part of predefined packages. For information on where they are compiled, and how to load them, see [VHDL Predefined Packages](#).

VHDL Supported Data Types

This section discusses VHDL Supported Data Types, and includes:

- [VHDL Predefined Enumerated Types](#)
- [VHDL User-Defined Enumerated Types](#)
- [VHDL Bit Vector Types](#)
- [VHDL Integer Types](#)
- [VHDL Multi-Dimensional Array Types](#)
- [VHDL Record Types](#)

VHDL Predefined Enumerated Types

The following predefined VHDL enumerated types are supported for hardware description:

- The **bit** type, defined in the standard package
Allowed values are **0** (logic zero) and **1** (logic 1)
- The **boolean** type, defined in the standard package
Allowed values are **false** and **true**
- The **std_logic** type defined in the IEEE **std_logic_1164** package
The following table lists allowed values and their interpretation by XST.

std_logic Allowed Values

| Value | Meaning | What XST does |
|-------|----------------|---------------------------|
| U | uninitialized | Not accepted by XST |
| X | unknown | Treated as don't care |
| 0 | low | Treated as logic zero |
| 1 | high | Treated as logic one |
| Z | high impedance | Treated as high impedance |
| W | weak unknown | Not accepted by XST |
| L | weak low | Treated identically to 0 |
| H | weak high | Treated identically to 1 |
| - | don't care | Treated as don't care |

XST- Supported Overloaded Enumerated Types

| Type | Defined In IEEE Package | SubType Of | Contains Values |
|------------|-------------------------|------------|---|
| std_ulogic | std_logic_1164 | N/A | <ul style="list-style-type: none"> same nine values as std_logic does not contain predefined resolution functions |
| X01 | std_logic_1164 | std_ulogic | X, 0, 1 |
| X01Z | std_logic_1164 | std_ulogic | X, 0, 1, Z |
| UX01 | std_logic_1164 | std_ulogic | U, X, 0, 1 |
| UX01Z | std_logic_1164 | std_ulogic | U, X, 0, Z |

VHDL User-Defined Enumerated Types

You can also create your own enumerated types, usually to describe the states of a Finite State Machine (FSM).

VHDL User-Defined Enumerated Types Coding Example

```
type STATES is (START, IDLE, STATE1, STATE2, STATE3) ;
```

VHDL Bit Vector Types

The following vector types are supported for hardware description:

- The **bit_vector** type, defined in the standard package, models a vector of bit elements.
- The **std_logic_vector** type, defined in the IEEE **std_logic_1164** package, models a vector of **std_logic** elements.

The following overloaded types are also available:

- The **std_ulogic_vector** type, defined in the IEEE **std_logic_1164** package
- The **unsigned** type, defined in the IEEE **std_logic_arith** package
- The **signed** type, defined in the IEEE **std_logic_arith** package

VHDL Integer Types

The **integer** type is a predefined VHDL type. By default, an **integer** is implemented on 32 bits by XST. For a more compact implementation, define the exact range of applicable values as follows:

```
type MSB is range 8 to 15
```

You can also take advantage of the predefined **natural** and **positive** types, overloading the **integer** type.

VHDL Multi-Dimensional Array Types

XST supports multi-dimensional array types, with no restriction on the number of dimensions. However, Xilinx® recommends that you describe no more than three dimensions. Objects of multi-dimensional array type that you can describe are:

- Signals
- Constants
- Variables

Objects of multi-dimensional array type can be passed to functions. They can also be used in component instantiations.

Fully Constrained Array Type Coding Examples

An array type must be fully constrained in all dimensions.

```
subtype WORD8 is STD_LOGIC_VECTOR (7 downto 0);
type TAB12 is array (11 downto 0) of WORD8;
type TAB03 is array (2 downto 0) of TAB12;
```

You can also declare an array as a matrix.

```
subtype TAB13 is array (7 downto 0,4 downto 0) of STD_LOGIC_VECTOR (8 downto 0);
```

The following coding examples demonstrate the uses of multi-dimensional array signals and variables in assignments.

Consider the following declarations:

```
subtype WORD8 is STD_LOGIC_VECTOR (7 downto 0);
type TAB05 is array (4 downto 0) of WORD8;
type TAB03 is array (2 downto 0) of TAB05;
signal WORD_A : WORD8;
signal TAB_A, TAB_B : TAB05;
signal TAB_C, TAB_D : TAB03;
constant CNST_A : TAB03 := (
("00000000", "01000001", "01000010", "10000011", "00001100"),
("00100000", "00100001", "00101010", "10100011", "00101100"),
("01000010", "01000010", "01000100", "01000111", "01000100"));
```

You can now specify the following:

- A multi-dimensional array signal or variable

```
TAB_A <= TAB_B; TAB_C <= TAB_D; TAB_C <= CNST_A;
```

- An index of one array

```
TAB_A (5) <= WORD_A; TAB_C (1) <= TAB_A;
```

- Indexes of the maximum number of dimensions

```
TAB_A (5) (0) <= '1'; TAB_C (2) (5) (0) <= '0'
```

- A slice of the first array

```
TAB_A (4 downto 1) <= TAB_B (3 downto 0);
```

- An index of a higher level array and a slice of a lower level array

```
TAB_C (2) (5) (3 downto 0) <= TAB_B (3) (4 downto 1); TAB_D (0) (4) (2 downto 0)
\\ <= CNST_A (5 downto 3)
```

Add the following declaration:

```
subtype MATRIX15 is array(4 downto 0, 2 downto 0) of STD_LOGIC_VECTOR (7 downto
0); signal MATRIX_A : MATRIX15;
```

You can now specify the following:

- A multi-dimensional array signal or variable

```
MATRIXA <= CNST_A
```

- An index of one row of the array

```
MATRIXA (5) <= TAB_A;
```

- Indexes of the maximum number of dimensions

```
MATRIXA (5,0) (0) <= '1';
```

Indices can be variable.

VHDL Record Types

XST supports record types. A record type can be described as:

```
type mytype is record
field1 : std_logic;
field2 : std_logic_vector (3 downto 0)
end record;
```

- A field of a record types can also be of type **record**.
- Constants can be record types.
- Record types cannot contain attributes.
- XST supports aggregate assignments to record signals.

VHDL Unsupported Data Types

The **real** type defined in the standard package is supported only for the purpose of performing calculations, such as the calculation of generics values. You cannot define a synthesizable object of type **real**.

VHDL Objects

This section discusses VHDL objects, and includes:

- [VHDL Signals](#)
- [VHDL Variables](#)
- [VHDL Constants](#)

VHDL Signals

You can declare VHDL signals in:

- An architecture declarative part
Use VHDL signals anywhere within that architecture.
- A block
Use VHDL signals within that block.
- Assign VHDL signals with the `<=` signal assignment operator.

```
signal sig1 : std_logic;  
sig1 <= '1';
```

VHDL Variables

VHDL variables are declared in a process or a subprogram, and are used within that process or subprogram.

Assign VHDL variables with the `:=` assignment operator.

```
variable var1 : std_logic_vector (7 downto 0); var1 := "01010011";
```

VHDL Constants

You can declare VHDL constants in any declarative region, and can be used within that region. Their values cannot be changed once declared.

```
signal sig1 : std_logic_vector (5 downto 0); constant init0 :  
std_logic_vector (5 downto 0) := "010111"; sig1 <= init0;
```

VHDL Operators

Supported VHDL operators are shown in [Supported/Unsupported VHDL Operators](#) later in this chapter. This section provides examples on how to use each shift operator.

- The **SLL (Shift Left Logic)** operator

```
sig1 <= A(4 downto 0) sll 2
```

is logically equivalent to:

```
sig1 <= A(2 downto 0) & "00";
```

- The **SRL (Shift Right Logic)** operator

```
sig1 <= A(4 downto 0) srl 2
```

is logically equivalent to:

```
sig1 <= "00" & A(4 downto 2);
```

- The **SLA (Shift Left Arithmetic)** operator

```
sig1 <= A(4 downto 0) sla 2
```

is logically equivalent to:

```
sig1 <= A(2 downto 0) & A(0) & A(0);
```

- The **SRA (Shift Right Arithmetic)** operator

```
sig1 <= A(4 downto 0) sra 2
```

is logically equivalent to:

```
sig1 <= A(4) & A(4) & A(4 downto 2);
```

- The **ROL (Rotate Left)** operator

```
sig1 <= A(4 downto 0) rol 2
```

is logically equivalent to:

```
sig1 <= A(2 downto 0) & A(4 downto 3);
```

- The **ROR (Rotate Right)** operator

```
A(4 downto 0) ror 2
```

is logically equivalent to:

```
sig1 <= A(1 downto 0) & A(4 downto 2);
```

VHDL Entity and Architecture Descriptions

This section discusses VHDL Entity and Architecture Descriptions, and includes:

- [VHDL Circuit Descriptions](#)
- [VHDL Entity Declarations](#)
- [VHDL Architecture Declarations](#)
- [VHDL Component Instantiation](#)
- [VHDL Recursive Component Instantiation](#)
- [VHDL Component Configuration](#)
- [VHDL Generics](#)
- [Conflicts Among VHDL Generics and Attributes](#)

VHDL Circuit Descriptions

A VHDL circuit description (design unit) consists of two parts:

- Entity declaration
 - Provides the external view of the circuit
 - Describes what can be seen from the outside, including the interface of the circuit, such as the I/O ports and generics
- Architecture
 - Provides the internal view of the circuit
 - Describes the behavior or the structure of the circuit

VHDL Entity Declarations

The I/O ports of the circuit are declared in the entity. Each port has a:

- **name**
- **mode**
 - **in**
 - **out**
 - **inout**
 - **buffer**
- **type**

While ports are usually constrained, they can also be left unconstrained in the entity declaration. If left unconstrained, their width is defined at instantiation when the connection between formal ports and actual signals is made. Unconstrained ports allow you to create different instantiations of the same entity, defining different port widths.

However, Xilinx® recommends that you define ports that are constrained through generics, and that you apply different values of those generics at instantiation. You should not have an unconstrained port on the top-level entity.

Array types of more than one-dimension are not accepted as ports.

The entity declaration can also declare generics. For more information, see [VHDL Generics](#).

NOT RECOMMENDED Coding Example WITH Buffer Port Mode

Xilinx does not recommend using buffer port mode. Although VHDL allows buffer port mode when a signal is used both internally and as an output port (when there is only one internal driver), buffer ports are a potential source of errors during synthesis, and complicate validation of post-synthesis results through simulation.

```
entity alu is
  port(
    CLK : in  STD_LOGIC;
    A   : in  STD_LOGIC_VECTOR(3 downto 0);
    B   : in  STD_LOGIC_VECTOR(3 downto 0);
    C   : buffer STD_LOGIC_VECTOR(3 downto 0));
end alu;

architecture behavioral of alu is
begin
  process begin
    if rising_edge(CLK) then
      C <= UNSIGNED(A) + UNSIGNED(B) UNSIGNED(C);
    end if;
  end process;
end behavioral;
```


RECOMMENDED Coding Example WITHOUT Buffer Port Mode

In the *NOT RECOMMENDED Coding Example WITH Buffer Port Mode* above, signal C, used both internally and as an output port, has been modelled with a buffer mode. Every level of hierarchy in the design that can be connected to C must also be declared as a buffer. To drop the buffer mode in this example, insert a dummy signal and declare port C as an output, as shown in the following coding example.

```
entity alu is
  port(
    CLK : in  STD_LOGIC;
    A   : in  STD_LOGIC_VECTOR(3 downto 0);
    B   : in  STD_LOGIC_VECTOR(3 downto 0);
    C   : out STD_LOGIC_VECTOR(3 downto 0);
  end alu;

architecture behavioral of alu is
  -- dummy signal
  signal C_INT : STD_LOGIC_VECTOR(3 downto 0);
begin
  C <= C_INT;
  process begin
    if rising_edge(CLK) then
      C_INT <= A and B and C_INT;
    end if;
  end process;
end behavioral;
```

VHDL Architecture Declarations

You can declare internal signals in the architecture. Each internal signal has a:

- **name**
- **type**

VHDL Architecture Declaration Coding Example

```
library IEEE;
use IEEE.std_logic_1164.all;

entity EXAMPLE is
  port (
    A,B,C : in std_logic;
    D,E : out std_logic );
end EXAMPLE;

architecture ARCHI of EXAMPLE is
  signal T : std_logic;
begin
  ...
end ARCHI;
```

VHDL Component Instantiation

Component instantiation allows you to instantiate a design unit (component) inside another design unit in order to create a hierarchically structured design description.

To perform component instantiation:

1. Create the design unit (entity and architecture) modelling the functionality to be instantiated.
2. Declare the component to be instantiated in the declarative region of the parent design unit architecture.
3. Instantiate and connect this component in the parent design unit's architecture body.
4. Map (connect) formal ports of the component to actual signals and ports of the parent design unit.

The main elements of a component instantiation statement are:

- **label**
Identifies the instance
- **association list**
 - Introduced by the reserved **port map** keyword
 - Ties formal ports of the component to actual signals or ports of the parent design unit
- **optional association list**
 - Introduced by the reserved **generic map** keyword
 - Provides actual values to formal generics defined in the component

XST supports unconstrained vectors in component declarations.

VHDL Component Instantiation Coding Example

The following coding example shows the structural description of a half adder composed of four **nand2** components:

```
entity NAND2 is
  port (
    A,B : in BIT;
    Y : out BIT );
end NAND2;

architecture ARCHI of NAND2 is
begin
  Y <= A nand B;
end ARCHI;

entity HALFADDER is
  port (
    X,Y : in BIT;
    C,S : out BIT );
end HALFADDER;

architecture ARCHI of HALFADDER is
  component NAND2
    port (
      A,B : in BIT;
      Y : out BIT );
  end component
  for all : NAND2 use entity work.NAND2(ARCHI);

  signal S1, S2, S3 : BIT;
begin
  NANDA : NAND2 port map (X,Y,S3);
  NANDB : NAND2 port map (X,S3,S1);
  NANDC : NAND2 port map (S3,Y,S2);
  NANDD : NAND2 port map (S1,S2,S);
  C <= S3;
end ARCHI;
```

VHDL Recursive Component Instantiation

XST supports recursive component instantiation. XST does not support direct instantiation for recursion. To prevent endless recursive calls, the number of recursions is limited by default to 64. Use **-recursion_iteration_limit** to control the number of allowed recursive calls, as shown in the following coding example.

VHDL Recursive Component Instantiation Coding Example

```

library ieee;
use ieee.std_logic_1164.all;
library unisim;
use unisim.vcomponents.all;

entity single_stage is
  generic (
    sh_st: integer:=4);
  port (
    CLK : in std_logic;
    DI  : in std_logic;
    DO  : out std_logic );
end entity single_stage;

architecture recursive of single_stage is
  component single_stage
    generic (
      sh_st: integer);
    port (
      CLK : in std_logic;
      DI  : in std_logic;
      DO  : out std_logic );
  end component;
  signal tmp : std_logic;

begin
  GEN_FD_LAST: if sh_st=1 generate
    inst_fd: FD port map (D=>DI, C=>CLK, Q=>DO);
  end generate;
  GEN_FD_INTERM: if sh_st /= 1 generate
    inst_fd: FD port map (D=>DI, C=>CLK, Q=>tmp);
    inst_sstage: single_stage
      generic map (sh_st => sh_st-1)
      port map (DI=>tmp, CLK=>CLK, DO=>DO);
  end generate;
end recursive;

```

VHDL Component Configuration

Use a component configuration to explicitly link a component with the appropriate model (entity and architecture pair). XST supports component configuration in the declarative part of the architecture. Use the following syntax:

```

for instantiation_list : component_name use
LibName.entity_Name (Architecture_Name);

```

For example, the following statement indicates that all **NAND2** components use the design unit consisting of entity **NAND2** and architecture **ARCHI**, and that is compiled in the work library.

```

For all : NAND2 use entity work.NAND2(ARCHI);

```

When the configuration clause is missing for a component instantiation, XST links the component to the entity with the same name (and same interface), and the selected architecture to the most recently compiled architecture. If no entity or architecture is found, a black box is generated during synthesis.

VHDL Generics

VHDL generics are the equivalent of Verilog parameters.

VHDL generics help you create scalable design modelizations. Use generics to parameterize functionality such as bus sizes, or the amount of certain repetitive elements in the design unit.

VHDL generics also allow you to write compact, factorized VHDL code. For example, for the same functionality that must be instantiated multiple times, but with different bus sizes, you need describe only one design unit with generics, as shown in the VHDL Generic Parameters Coding Example below.

You can declare generic parameters in the entity declaration part. XST supports all types for generics including:

- **integer**
- **boolean**
- **string**
- **real**
- **std_logic_vector**

Declare a generic with a default value.

VHDL Generic Parameters Coding Example

```
library IEEE;
use IEEE.std_logic_1164.all;
use IEEE.std_logic_unsigned.all;

entity addern is
    generic (
        width : integer := 8);
    port (
        A,B : in std_logic_vector (width-1 downto 0);
        Y : out std_logic_vector (width-1 downto 0) );
end addern;

architecture bhv of addern is
begin
    Y <= A + B;
end bhv;

Library IEEE;
use IEEE.std_logic_1164.all;

entity top is
    port (
        X, Y, Z : in std_logic_vector (12 downto 0);
        A, B : in std_logic_vector (4 downto 0);
        S :out std_logic_vector (16 downto 0) );
end top;

architecture bhv of top is
    component addern
        generic (width : integer := 8);
        port (
            A,B : in std_logic_vector (width-1 downto 0);
            Y : out std_logic_vector (width-1 downto 0) );
    end component;
    for all : addern use entity work.addern(bhv);

    signal C1 : std_logic_vector (12 downto 0);
    signal C2, C3 : std_logic_vector (16 downto 0);
begin
    U1 : addern generic map (n=>13) port map (X,Y,C1);
    C2 <= C1 & A;
    C3 <= Z & B;
    U2 : addern generic map (n=>17) port map (C2,C3,S);
end bhv;
```

Conflicts Among VHDL Generics and Attributes

Since you can apply VHDL generics and attributes to both instances and components in the HDL source code, and you can specify attributes in a constraints file, conflicts can occasionally arise.

XST uses the following rules of precedence to resolve these conflicts:

1. Specifications on an instance (lower level) take precedence over specifications on a component (higher level).
2. If a generic and an attribute are applicable to the same instance or the same component, the attribute is considered, regardless of where the generic was specified. Xilinx® does not recommend using both mechanisms to define the same constraint. XST flags such occurrences.
3. An attribute specified in the XST Constraint File (XCF) always takes precedence over attributes or generics specified in the VHDL code.
4. Security attributes on the block definition always have higher precedence than any other attribute or generic.

VHDL Combinatorial Circuits

XST supports the following VHDL combinatorial circuits:

- [VHDL Concurrent Signal Assignments](#)
- [VHDL Generate Statements](#)
- [VHDL Combinatorial Processes](#)

VHDL Concurrent Signal Assignments

Combinatorial logic can be described using concurrent signal assignments that can be specified in the body of an architecture.

VHDL supports three types of concurrent signal assignments:

- Simple
- Selected (**with-select-when**)
- Conditional (**when-else**)

The following principles apply:

- You can describe as many concurrent statements as needed.
- The order of appearance in the architecture is irrelevant.
- All statements are concurrently active.
- The concurrent assignment is re-evaluated when any signal on the right side of the assignment changes value.
- The re-evaluated result is assigned to the signal on the left-hand side.

Simple Signal Assignment VHDL Coding Example

```
T <= A and B;
```

Concurrent Selection Assignment VHDL Coding Example

Coding examples are accurate as of the date of publication. Download updates and other examples from ftp://ftp.xilinx.com/pub/documentation/misc/xstug_examples.zip. Each directory contains a `summary.txt` file listing all examples together with a brief overview.

```
--
-- Concurrent selection assignment in VHDL
--
-- Download: ftp://ftp.xilinx.com/pub/documentation/misc/xstug_examples.zip
-- File: VHDL_Language_Support/combinatorial/concurrent_selected_assignment.vhd
--
library ieee;
use ieee.std_logic_1164.all;

entity concurrent_selected_assignment is
    generic (
        width: integer := 8);
    port (
        a, b, c, d : in std_logic_vector (width-1 downto 0);
        sel : in std_logic_vector (1 downto 0);
        T : out std_logic_vector (width-1 downto 0) );
end concurrent_selected_assignment;

architecture bhv of concurrent_selected_assignment is
begin
    with sel select
        T <= a when "00",
            b when "01",
            c when "10",
            d when others;
end bhv;
```

Concurrent Conditional Assignment (When-Else) VHDL Coding Example

```
--
-- A concurrent conditional assignment (when-else)
--
-- Download: ftp://ftp.xilinx.com/pub/documentation/misc/xstug_examples.zip
-- File: VHDL_Language_Support/combinatorial/concurrent_conditional_assignment.vhd
--
library ieee;
use ieee.std_logic_1164.all;

entity concurrent_conditional_assignment is
    generic (
        width: integer := 8);
    port (
        a, b, c, d : in std_logic_vector (width-1 downto 0);
        sel : in std_logic_vector (1 downto 0);
        T : out std_logic_vector (width-1 downto 0) );
end concurrent_conditional_assignment;

architecture bhv of concurrent_conditional_assignment is
begin
    T <= a when sel = "00" else
        b when sel = "01" else
        c when sel = "10" else
        d;
end bhv;
```

VHDL Generate Statements

This section discusses VHDL Generate Statements, and includes:

- [VHDL For-Generate Statements](#)
- [VHDL If-Generate Statements](#)

VHDL For-Generate Statements

Repetitive structures can be described using a **for-generate** statement. In the following coding example, the **for-generate** statement describes the calculation of the result and carry out for each bit position of this 8-bit adder.

Coding examples are accurate as of the date of publication. Download updates and other examples from ftp://ftp.xilinx.com/pub/documentation/misc/xstug_examples.zip. Each directory contains a `summary.txt` file listing all examples together with a brief overview.

For-Generate Statement VHDL Coding Example

```
--
-- A for-generate example
--
-- Download: ftp://ftp.xilinx.com/pub/documentation/misc/xstug_examples.zip
-- File: VHDL_Language_Support/combinatorial/for_generate.vhd
--
entity for_generate is
    port (
        A,B : in  BIT_VECTOR (0 to 7);
        CIN : in  BIT;
        SUM : out BIT_VECTOR (0 to 7);
        COUT : out BIT );
end for_generate;

architecture archi of for_generate is
    signal C : BIT_VECTOR (0 to 8);
begin
    C(0) <= CIN;
    COUT <= C(8);
    LOOP_ADD : for I in 0 to 7 generate
        SUM(I) <= A(I) xor B(I) xor C(I);
        C(I+1) <= (A(I) and B(I)) or (A(I) and C(I)) or (B(I) and C(I));
    end generate;
end archi;
```

VHDL If-Generate Statements

A typical use of the **if-generate** statement is to activate distinct parts of the HDL source code based on the result of a test, such as a test of a generic value. For example, a generic can be used to indicate which Xilinx® FPGA device family is being targeted. An **if-generate** statement tests the value of this generic against a specific device family, and activates a section of the HDL source code that was written specifically for this device family.

The **if-generate** statement is supported for static (non-dynamic) conditions.

In the following coding example, a generic **N-bit** adder with a width ranging between 4 and 32 is described with an **if-generate** and a **for-generate** statement.

Coding examples are accurate as of the date of publication. Download updates and other examples from ftp://ftp.xilinx.com/pub/documentation/misc/xstug_examples.zip. Each directory contains a `summary.txt` file listing all examples together with a brief overview.

For-Generate Nested in an If-Generate Statement VHDL Coding Example

```
--
-- A for-generate nested in a if-generate
--
-- Download: ftp://ftp.xilinx.com/pub/documentation/misc/xstug_examples.zip
-- File: VHDL_Language_Support/combinatorial/if_for_generate.vhd
--
entity if_for_generate is
  generic (
    N : INTEGER := 8);
  port (
    A,B : in BIT_VECTOR (N downto 0);
    CIN : in BIT;
    SUM : out BIT_VECTOR (N downto 0);
    COUT : out BIT );
end if_for_generate;

architecture archi of if_for_generate is
  signal C : BIT_VECTOR (N+1 downto 0);
begin
  IF_N: if (N>=4 and N<=32) generate
    C(0) <= CIN;
    COUT <= C(N+1);
    LOOP_ADD : for I in 0 to N generate
      SUM(I) <= A(I) xor B(I) xor C(I);
      C(I+1) <= (A(I) and B(I)) or (A(I) and C(I)) or (B(I) and C(I));
    end generate;
  end generate;
end archi;
```

VHDL Combinatorial Processes

This section discusses VHDL Combinatorial Processes, and includes:

- [About HDL Combinatorial Processes](#)
- [VHDL Variable and Signal Assignments](#)
- [VHDL If-Else Statements](#)
- [VHDL Case Statements](#)
- [VHDL For-Loop Statements](#)

About VHDL Combinatorial Processes

Combinatorial logic can be modelled with a process. A process is combinatorial when signals assigned in the process are explicitly assigned a new value every time the process is executed. No such signal should implicitly retain its current value.

Hardware inferred from a combinatorial process does not involve any memory elements. When all assigned signals in a process are always explicitly assigned in all possible paths within a process block, the process is combinatorial. A signal that is not explicitly assigned in all branches of an if or case statement typically leads to a latch inference. When XST infers unexpected latches, examine the HDL source code and look for a signal that is not explicitly assigned.

A combinatorial process has a sensitivity list appearing within parentheses after the **process** keyword. A process is activated if an event (value change) appears on one of the sensitivity list signals. For a combinatorial process, this sensitivity list must contain:

- All signals in conditions (for example, **if** and **case**)
- All signals on the right hand side of an assignment

If one or more signals is missing from the sensitivity list, XST:

- Issues a warning message
- Adds the missing signals to the sensitivity list

In this case, the synthesis results can differ from the initial design specification. To avoid problems during simulation, explicitly add all missing signals in the HDL source code and re-run synthesis.

A process can contain local variables.

VHDL Variable and Signal Assignments

This section discusses VHDL Variable and Signal Assignments, and gives the following coding examples:

- Variable and Signal Assignment VHDL Coding Example One
- Variable and Signal Assignment VHDL Coding Example Two

Variable and Signal Assignment VHDL Coding Example One

The following coding example illustrates how to assign a signal within a process.

```
entity EXAMPLE is
  port (
    A, B : in BIT;
    S : out BIT );
end EXAMPLE;

architecture ARCH1 of EXAMPLE is
begin
  process (A, B)
  begin
    S <= '0' ;
    if ((A and B) = '1') then
      S <= '1' ;
    end if;
  end process;
end ARCH1;
```

Variable and Signal Assignment VHDL Coding Example Two

A process can also contain local variables. Variables are declared and used within a process. They are generally not visible outside the process.

```
entity ADDSUB is
  port (
    A,B : in BIT_VECTOR (3 downto 0);
    ADD_SUB : in BIT;
    S : out BIT_VECTOR (3 downto 0) );
end ADDSUB;

architecture ARCH1 of ADDSUB is
begin
  process (A, B, ADD_SUB)
    variable AUX : BIT_VECTOR (3 downto 0);
  begin
    if ADD_SUB = '1' then
      AUX := A + B ;
    else
      AUX := A - B ;
    end if;
    S <= AUX;
  end process;
end ARCH1;
```

VHDL If-Else Statements

If-else and **if-elsif-else** statements use **true-false** conditions to execute statements. If the expression evaluates to **true**, the **if** branch is executed. If the expression evaluates to **false**, **x**, or **z**, the **else** branch is executed. A block of multiple statements can be executed in an **if** or **else** branch, using **begin** and **end** keywords. **If-else** statements can be nested.

If-Else Statement VHDL Coding Example

```
library IEEE;
use IEEE.std_logic_1164.all;

entity mux4 is
  port (
    a, b, c, d : in std_logic_vector (7 downto 0);
    sel1, sel2 : in std_logic;
    outmux : out std_logic_vector (7 downto 0));
end mux4;

architecture behavior of mux4 is
begin
  process (a, b, c, d, sel1, sel2)
  begin
    if (sel1 = '1') then
      if (sel2 = '1') then
        outmux <= a;
      else
        outmux <= b;
      end if;
    else
      if (sel2 = '1') then
        outmux <= c;
      else
        outmux <= d;
      end if;
    end if;
  end process;
end behavior;
```

VHDL Case Statements

Case statements perform a comparison to an expression to evaluate one of a number of parallel branches. The **case** statement evaluates the branches in the order they are written. The first branch that evaluates to **true** is executed. If none of the branches match, the default branch is executed.

Case Statement VHDL Coding Example

```
library IEEE;
use IEEE.std_logic_1164.all;

entity mux4 is
  port (
    a, b, c, d : in std_logic_vector (7 downto 0);
    sel : in std_logic_vector (1 downto 0);
    outmux : out std_logic_vector (7 downto 0));
end mux4;

architecture behavior of mux4 is
begin
  process (a, b, c, d, sel)
  begin
    case sel is
      when "00" => outmux <= a;
      when "01" => outmux <= b;
      when "10" => outmux <= c;
      when others => outmux <= d; -- case statement must be complete
    end case;
  end process;
end behavior;
```

VHDL For-Loop Statements

The **for** statement is supported for:

- Constant bounds
- Stop test condition using any of the following operators:
 - <
 - <=
 - >
 - >=
- Next step computation falling within one of the following specifications:
 - *var* = *var* + step
 - *var* = *var* - step
 - where
 - ◆ *var* is the loop variable
 - ◆ **step** is a constant value
- **Next** and **exit** statements

For-Loop Statement VHDL Coding Example

```
library IEEE;
use IEEE.std_logic_1164.all;
use IEEE.std_logic_unsigned.all;

entity countzeros is
  port (
    a : in std_logic_vector (7 downto 0);
    Count : out std_logic_vector (2 downto 0) );
end mux4;

architecture behavior of countzeros is
  signal Count_Aux: std_logic_vector (2 downto 0);
begin
  process (a)
  begin
    Count_Aux <= "000";
    for i in a'range loop
      if (a[i] = '0') then
        Count_Aux <= Count_Aux + 1; -- operator "+" defined
                                   -- in std_logic_unsigned
      end if;
    end loop;
    Count <= Count_Aux;
  end process;
end behavior;
```

VHDL Sequential Logic

This section discusses VHDL Sequential Logic and includes:

- [VHDL Sequential Processes With a Sensitivity List](#)
- [VHDL Sequential Processes Without a Sensitivity List](#)
- [VHDL Initial Values and Operational Set/Reset](#)
- [VHDL Default Initial Values on Memory Elements](#)

VHDL Sequential Processes With a Sensitivity List

A process is sequential (as opposed to combinatorial) when some assigned signals are not explicitly assigned in all paths within the process. In this case, the hardware generated has an internal state or memory (flip-flops or latches). Describing sequential logic using a process with a sensitivity list includes:

- A sensitivity list that contains the clock signal and any optional signal controlling the sequential element asynchronously (asynchronous set/reset)
- An **if** statement that models the clock event
- Modelization of any asynchronous control logic (asynchronous set/reset) is done before the clock event statement
- Modelization of the synchronous logic (data, optional synchronous set/reset, optional clock enable) is done in the clock event if branch

The syntax is:

```
process (<sensitivity list>)
begin
    <asynchronous part>
    <clock event>
    <synchronous part>
end;
```

The clock event statement can be described for a **rising edge** clock as:

```
If clk'event and clk = '1' then
```

The clock event statement can be described for a **falling edge** clock as:

```
If clk'event and clk = '0' then
```

For greater clarity, you can instead use the VHDL'93 IEEE standard **rising_edge** and **falling_edge** functions. The above statements become:

```
If rising_edge(clk) then
If falling_edge(clk) then
```

If XST detects that a signal has been omitted from the sensitivity list, it issues a warning. Missing signals are automatically added to the list. Xilinx® recommends adding the missing signals to the HDL source code. Failure to do so can cause difficulties when validating your synthesized solution through simulation.

Xilinx recommends using the sensitivity-list based description style to describe sequential logic. For more information, see [Chapter 7, XST HDL Coding Techniques](#), which describes macro inference of such functions as registers and counters.

VHDL Sequential Processes Without a Sensitivity List

XST allows the description of sequential logic using a **wait** statement. In this case, the sequential processes is described without a sensitivity list.

- The same process cannot have both a sensitivity list and a **wait** statement.
- There can be only one **wait** statement in the process.
- The **wait** statement must be the first statement of the process.
- The condition in the **wait** statement describes the sequential logic clock.

VHDL Sequential Process Using a Wait Statement Coding Example

```
process
begin
    wait until rising_edge(clk);
    q <= d;
end process;
```

Describing a Clock Enable in the Wait Statement Coding Example

A **clock enable** can be described in the **wait** statement together with the **clock**.

```
process
begin
    wait until rising_edge(clk) and clken = '1';
    q <= d;
end process;
```

Describing a Clock Enable After the Wait Statement Coding Example

You can also describe the **clock enable** separately.

```
process
begin
    wait until rising_edge(clk);
    if clken = '1' then
        q <= d;
    end if;
end process;
```

Besides the **clock enable**, this coding method also allows you to describe synchronous control logic, such as a synchronous reset or set. You cannot describe a sequential element with asynchronous control logic using a process without a sensitivity list. Only a process with a sensitivity list allows such functionality. XST does not allow description of a latch based on a **wait** statement. For greater flexibility, Xilinx® recommends describing synchronous logic using a process with a sensitivity list.

VHDL Initial Values and Operational Set/Reset

In VHDL, you can initialize registers when you declare them.

The initialization value:

- Is a constant
- May be generated from a function call (for example, loading initial values from an external data file)
- Cannot depend on earlier initial values
- Can be a parameter value propagated to a register

Initializing Registers VHDL Coding Example One

The following coding example specifies a power-up value, to which the sequential element is initialized when the circuit goes live, and the circuit global reset is applied.

```
signal arb_onebit    : std_logic := '0';
signal arb_priority : std_logic_vector(3 downto 0) := "1011";
```

Initializing Registers VHDL Coding Example Two

You can also initialize sequential elements operationally, describing set/reset values and local control logic. To do so, assign a value to a register when the register reset line goes to the appropriate value, as shown in the following coding example.

```
process (clk, rst)
begin
    if rst='1' then
        arb_onebit <= '0';
    end if;
end process;
```

For more information about the advantages and disadvantages of operational set/reset, and the advantages and disadvantages of asynchronous versus synchronous set/reset, see [Flip-Flops and Registers](#) in [Chapter 7, HDL Coding Techniques](#).

Initializing Registers VHDL Coding Example Three

The following coding example mixes power-up initialization and operational reset.

```
entity top is
  Port (
    clk, rst : in std_logic;
    a_in : in std_logic;
    dout : out std_logic);
end top;

architecture behavioral of top is
  signal arb_onebit : std_logic := '1'; -- power-up to vcc
begin
  process (clk, rst)
  begin
    if rst='1' then -- local asynchronous reset
      arb_onebit <= '0';
    elsif (clk'event and clk='1') then
      arb_onebit <= a_in;
    end if;
  end process;
  dout <= arb_onebit;
end behavioral;
```

VHDL Default Initial Values on Memory Elements

Because every memory element in a Xilinx® FPGA device must come up in a known state, in certain cases, XST does not apply IEEE standards for initial values. In the previous coding example, if `arb_onebit` is not initialized to 1 (one), XST assigns it a default of 0 (zero) as its initial state. In this case, XST does not follow the IEEE standard, where U is the default for `std_logic`. This process of initialization is the same for both registers and RAMs.

Where possible, XST adheres to the IEEE VHDL standard when initializing signal values. If no initial values are supplied in the VHDL code, XST uses the default values (where possible) as shown in the XST column in the following table.

VHDL Initial Values

| Type | IEEE | XST |
|-------------------------------|------------------|---------------------------------|
| bit | 0 | 0 |
| std_logic | U | 0 |
| bit_vector (3 downto 0) | 0 | 0 |
| std_logic_vector (3 downto 0) | 0 | 0 |
| integer (unconstrained) | integer'left | integer'left |
| integer range 7 downto 0 | integer'left = 7 | integer'left = 7 (coded as 111) |
| integer range 0 to 7 | integer'left = 0 | integer'left = 0 (coded as 000) |
| Boolean | FALSE | FALSE (coded as 0) |
| enum(S0,S1,S2,S3) | type'left = S0 | type'left = S0 (coded as 000) |

Unconnected output ports default to the values shown in the XST column of the table above. If the output port has an initial condition, XST ties the unconnected output port to the explicitly defined initial condition.

According to the IEEE VHDL specification, input ports cannot be left unconnected. As a result, XST issues an error message if an input port is not connected. Even the **open** keyword is not sufficient for an unconnected input port.

VHDL Functions and Procedures

Declaring a function or a procedure in VHDL lets you handle blocks that are used multiple times in a design. Functions and procedures can be declared in the declarative part of an entity, in an architecture or in a package. A function or procedure consists of a declarative part and a body.

The declarative part specifies:

- Input parameters
- Output and inout parameters (procedures only)
- Output and inout parameters (procedures only)

These parameters can be unconstrained. They are not constrained to a given bound. The content is similar to the combinatorial process content. Resolution functions are not supported except the one defined in the IEEE **std_logic_1164** package

Function Declared Within a Package VHDL Coding Example One

The following coding example shows a function declared within a package. The ADD function declared here is a single bit adder. This function is called four times with the proper parameters in the architecture to create a 4-bit adder.

```
package PKG is
    function ADD (A,B, CIN : BIT )
        return BIT_VECTOR;
end PKG;

package body PKG is
    function ADD (A,B, CIN : BIT )
    return BIT_VECTOR is
        variable S, COUT : BIT;
        variable RESULT : BIT_VECTOR (1 downto 0);
    begin
        S := A xor B xor CIN;
        COUT := (A and B) or (A and CIN) or (B and CIN);
        RESULT := COUT & S;
        return RESULT;
    end ADD;
end PKG;

use work.PKG.all;

entity EXAMPLE is
    port (
        A,B : in BIT_VECTOR (3 downto 0);
        CIN : in BIT;
        S : out BIT_VECTOR (3 downto 0);
        COUT : out BIT );
end EXAMPLE;

architecture ARCHI of EXAMPLE is
    signal S0, S1, S2, S3 : BIT_VECTOR (1 downto 0);
begin
    S0 <= ADD (A(0), B(0), CIN);
    S1 <= ADD (A(1), B(1), S0(1));
    S2 <= ADD (A(2), B(2), S1(1));
    S3 <= ADD (A(3), B(3), S2(1));
    S <= S3(0) & S2(0) & S1(0) & S0(0);
    COUT <= S3(1);
end ARCHI;
```

Function Declared Within a Package VHDL Coding Example Two

Following is the same example using a procedure instead.

```
package PKG is
  procedure ADD (
    A,B, CIN : in BIT;
    C : out BIT_VECTOR (1 downto 0) );
end PKG;

package body PKG is
  procedure ADD (
    A,B, CIN : in BIT;
    C : out BIT_VECTOR (1 downto 0)
  ) is
    variable S, COUT : BIT;
  begin
    S := A xor B xor CIN;
    COUT := (A and B) or (A and CIN) or (B and CIN);
    C := COUT & S;
  end ADD;
end PKG;

use work.PKG.all;

entity EXAMPLE is
  port (
    A,B : in BIT_VECTOR (3 downto 0);
    CIN : in BIT;
    S : out BIT_VECTOR (3 downto 0);
    COUT : out BIT );
end EXAMPLE;

architecture ARCHI of EXAMPLE is
begin
  process (A,B,CIN)
    variable S0, S1, S2, S3 : BIT_VECTOR (1 downto 0);
  begin
    ADD (A(0), B(0), CIN, S0);
    ADD (A(1), B(1), S0(1), S1);
    ADD (A(2), B(2), S1(1), S2);
    ADD (A(3), B(3), S2(1), S3);
    S <= S3(0) & S2(0) & S1(0) & S0(0);
    COUT <= S3(1);
  end process;
end ARCHI;
```


Function Declared Using a Procedure VHDL Coding Example

```

package PKG is
  procedure ADD (
    A,B, CIN : in BIT;
    C : out BIT_VECTOR (1 downto 0) );
end PKG;

package body PKG is
  procedure ADD (
    A,B, CIN : in BIT;
    C : out BIT_VECTOR (1 downto 0)
  ) is
    variable S, COUT : BIT;
  begin
    S := A xor B xor CIN;
    COUT := (A and B) or (A and CIN) or (B and CIN);
    C := COUT & S;
  end ADD;
end PKG;

use work.PKG.all;

entity EXAMPLE is
  port (
    A,B : in BIT_VECTOR (3 downto 0);
    CIN : in BIT;
    S : out BIT_VECTOR (3 downto 0);
    COUT : out BIT );
end EXAMPLE;

architecture ARCHI of EXAMPLE is
begin
  process (A,B,CIN)
    variable S0, S1, S2, S3 : BIT_VECTOR (1 downto 0);
  begin
    ADD (A(0), B(0), CIN, S0);
    ADD (A(1), B(1), S0(1), S1);
    ADD (A(2), B(2), S1(1), S2);
    ADD (A(3), B(3), S2(1), S3);
    S <= S3(0) & S2(0) & S1(0) & S0(0);
    COUT <= S3(1);
  end process;
end ARCHI;

```

Recursive Functions VHDL Coding Example

XST supports recursive functions. The following coding example models an **n!** function:

```

function my_func(x : integer) return integer is
begin
  if x = 1 then
    return x;
  else
    return (x*my_func(x-1));
  end if;
end function my_func;

```

VHDL Assert Statements

XST supports Assert statements. Assert statements help you debug your design, enabling you to detect undesirable conditions in VHDL designs such as bad values for generics, constants, and generate conditions, or bad values for parameters in called functions. For any failed condition in an Assert statement, XST, depending on the severity level, issues a warning message, or rejects the design and issues an error message. XST supports the Assert statement only with static condition.

The following coding example contains a block (**SINGLE_SRL**) which describes a shift register. The size of the shift register depends on the **SRL_WIDTH** generic value. The Assert statement ensures that the implementation of a single shift register does not exceed the size of a single Shift Register LUT (**SRL**).

Since the size of the **SRL** is 16 bit, and XST implements the last stage of the shift register using a flip-flop in a slice, the maximum size of the shift register cannot exceed 17 bits. The **SINGLE_SRL** block is instantiated twice in the entity named **TOP**, the first time with **SRL_WIDTH** equal to 13, and the second time with **SRL_WIDTH** equal to 18.

Use of an Assert Statement for Design Rule Checking VHDL Coding Example

Coding examples are accurate as of the date of publication. Download updates and other examples from ftp://ftp.xilinx.com/pub/documentation/misc/xstug_examples.zip. Each directory contains a `summary.txt` file listing all examples together with a brief overview.

```
--
-- Use of an assert statement for design rule checking
--
-- Download: ftp://ftp.xilinx.com/pub/documentation/misc/xstug_examples.zip
-- File: VHDL_Language_Support/asserts/asserts_1.vhd
--
library ieee;
use ieee.std_logic_1164.all;

entity SINGLE_SRL is
    generic (SRL_WIDTH : integer := 24);
    port (
        clk : in std_logic;
        inp : in std_logic;
        outp : out std_logic);
end SINGLE_SRL;

architecture beh of SINGLE_SRL is
    signal shift_reg : std_logic_vector (SRL_WIDTH-1 downto 0);
begin
    assert SRL_WIDTH <= 17
        report "The size of Shift Register exceeds the size of a single SRL"
        severity FAILURE;

    process (clk)
    begin
        if rising_edge(clk) then
            shift_reg <= shift_reg (SRL_WIDTH-2 downto 0) & inp;
        end if;
    end process;

    outp <= shift_reg(SRL_WIDTH-1);
end beh;

library ieee;
use ieee.std_logic_1164.all;

entity TOP is
    port (
        clk : in std_logic;
        inp1, inp2 : in std_logic;
        outp1, outp2 : out std_logic);
end TOP;

architecture beh of TOP is
    component SINGLE_SRL is
        generic (SRL_WIDTH : integer := 16);
        port(
            clk : in std_logic;
            inp : in std_logic;
            outp : out std_logic);
    end component;
begin
    inst1: SINGLE_SRL
        generic map (SRL_WIDTH => 13)
        port map(
            clk => clk,
            inp => inp1,
            outp => outp1 );
    inst2: SINGLE_SRL
        generic map (SRL_WIDTH => 18)
        port map(
```

```

        clk => clk,
        inp => inp2,
        outp => outp2 );
end beh;

```

XST issues the following error message.

```

HDL Elaboration *
=====
Elaborating entity <TOP> (architecture <beh>) from library <work>.

Elaborating entity <SINGLE_SRL> (architecture <beh>) with generics from library <work>.

Elaborating entity <SINGLE_SRL> (architecture <beh>) with generics from library <work>.
ERROR:HDLCompiler:1242 - "VHDL_Language_Support/asserts/asserts_1.vhd"

Line 15: "The size of Shift Register exceeds the size of a single SRL": exiting elaboration
"VHDL_Language_Support/asserts/asserts_1.vhd"
Line 4. netlist SINGLE_SRL(18)(beh) remains a blackbox, due to errors in its contents

```

VHDL Libraries and Packages

This section discusses VHDL Libraries and Packages and includes:

- [VHDL Libraries](#)
- [VHDL Predefined Packages](#)
- [Defining Your Own VHDL Packages](#)
- [Accessing VHDL Packages](#)

VHDL Libraries

A library is a directory where you compile design units (entity or architectures and packages). Each VHDL and Verilog source file is compiled into a designated library.

[Creating an HDL Synthesis Project in Chapter 2, Creating and Synthesizing an XST Project](#), describes the syntax of the HDL synthesis project file, and explains how to specify the library into which the contents of an HDL source file is compiled.

A design unit that was compiled into a library can be invoked from any VHDL source file, provided that you have referenced it through a library clause.

The syntax is:

```
library library_name ;
```

The work library is the default library, and does not require a library clause. To change the name of the default library, use the **-work_lib** option of the **run** command.

The physical location of the default library, and of any other user-defined library, is a subdirectory with the same name located under a directory defined by ..

VHDL Predefined Packages

XST supports predefined packages defined in the **std** and **ieee standard** libraries. They are pre-compiled and can be directly included in the VHDL code. You need not compile those libraries. The predefined packages are:

- [VHDL Predefined Standard Packages](#)
- [VHDL Predefined IEEE Packages](#)
- [VHDL Predefined IEEE Real Type and IEEE math_real Packages](#)

VHDL Predefined Standard Packages

The standard package defines basic VHDL types, including:

- `bit`
- `bit_vector`
- `integer`
- `natural`
- `real`
- `boolean`

The standard package is included by default.

VHDL Predefined IEEE Packages

XST supports the following IEEE packages, defining more common data types, functions, and procedures:

- `numeric_bit`
Defines unsigned and signed vector types based on `bit`, as well as all overloaded arithmetic operators, conversion functions, and extended functions for these types.
- `std_logic_1164`
Defines `std_logic`, `std_ulogic`, `std_logic_vector`, and `std_ulogic_vector` types, as well as conversion functions based on these types.
- `std_logic_arith` (Synopsys)
Defines `unsigned` and `signed` vector types based on `std_logic`. Also defines overloaded arithmetic operators, conversion functions, and extended functions for these types.
- `numeric_std`
Defines unsigned and signed vector types based on `std_logic`. Also defines overloaded arithmetic operators, conversion functions, and extended functions for these types. Equivalent to `std_logic_arith`.
- `std_logic_unsigned` (Synopsys)
Defines unsigned arithmetic operators for `std_logic` and `std_logic_vector`
- `std_logic_signed` (Synopsys)
Defines signed arithmetic operators for `std_logic` and `std_logic_vector`
- `std_logic_misc` (Synopsys)
Defines supplemental types, subtypes, constants, and functions for the `std_logic_1164` package, such as `and_reduce` and `or_reduce`

IEEE packages are pre-compiled in the `ieee` library.

VHDL Predefined IEEE Real Type and IEEE `math_real` Packages

The `real` type, as well as functions and procedures in the IEEE `math_real` package, are supported for only calculations (such as calculation of generics values). They cannot be used to describe synthesizable functionality.

VHDL Real Number Constants

| Constant | Value | Constant | Value |
|------------------|----------|-------------------|---------------|
| math_e | e | math_log_of_2 | ln2 |
| math_1_over_e | 1/e | math_log_of_10 | ln10 |
| math_pi | π | math_log2_of_e | $\log_2 e$ |
| math_2_pi | 2π | math_log10_of_e | $\log_{10} e$ |
| math_1_over_pi | $1/\pi$ | math_sqrt_2 | $\sqrt{2}$ |
| math_pi_over_2 | $\pi/2$ | math_1_oversqrt_2 | $1/\sqrt{2}$ |
| math_pi_over_3 | $\pi/3$ | math_sqrt_pi | $\sqrt{\pi}$ |
| math_pi_over_4 | $\pi/4$ | math_deg_to_rad | $2\pi/360$ |
| math_3_pi_over_2 | $3\pi/2$ | math_rad_to_deg | $360/2\pi$ |

VHDL Real Number Functions

| | | | | |
|------------|--------------|----------|-------------|------------|
| ceil(x) | realmax(x,y) | exp(x) | cos(x) | cosh(x) |
| floor(x) | realmin(x,y) | log(x) | tan(x) | tanh(x) |
| round(x) | sqrt(x) | log2(x) | arcsin(x) | arcsinh(x) |
| trunc(x) | cbrt(x) | log10(x) | arctan(x) | arccosh(x) |
| sign(x) | "**"(n,y) | log(x,y) | arctan(y,x) | arctanh(x) |
| "mod"(x,y) | "**"(x,y) | sin(x) | sinh(x) | |

Defining Your Own VHDL Packages

You can create your own packages to define:

- Types and subtypes
- Constants
- Functions and procedures
- Component declarations

Defining your own packages allows access to shared definitions and models from other parts of your project.

Defining a package requires:

- A *package declaration* that declares each of the elements listed above
- A *package body* that describes the functions and procedures you declared in the package declaration

Package Declaration Syntax

```
package mypackage is
    type mytype is
        record
            first : integer;
            second : integer;
        end record;

    constant myzero : mytype := (first => 0, second => 0);

    function getfirst (x : mytype) return integer;
end mypackage;
```

Package Body Syntax

```
package body mypackage is

    function getfirst (x : mytype) return integer is
    begin
        return x.first;
    end function;

end mypackage;
```

Accessing VHDL Packages

To access definitions of a package, you must:

- Include the library in which the package has been compiled with a library clause
- Designate the package, or a specific definition contained in the package, with a use clause

Use the following syntax:

```
library library_name ;

use library_name .package_name .all;
```

These lines must be inserted immediately before the entity or architecture in which you use the package definitions. Because the **work** library is the default library, you can omit the library clause if the designated package has been compiled into this library.

VHDL File Type Support

This section discusses VHDL File Type Support, and includes:

- [XST VHDL File Read and File Write Capability](#)
- [Loading Memory Contents from an External File](#)
- [Writing to a File for Debugging](#)
- [Rules for Debugging Using Write Operations](#)

XST VHDL File Read and File Write Capability

XST supports a limited File Read and File Write capability for VHDL.

File Read capability can be used for initializing memories from an external data file.

For more information, see [Specifying Initial Contents in an External Data File](#) in [Chapter 7, XST HDL Coding Techniques](#).

File Write capability can be used for:

- Debugging
- Writing a specific constant or generic value to an external file

The **textio** package:

- Is available in the **std** library
- Provides basic text-based File I/O capabilities
- Defines the following procedures for file I/O operations
 - **readline**
 - **read**
 - **writeline**
 - **write**

The `std_logic_textio` package:

- Is available in the `ieee` library
- Provides extended text I/O support for other data types, overloading the `read` and `write` procedures as shown in the following table.

XST File Type Support

| Function | Package |
|--------------------------------------|-----------------------|
| file (type text only) | standard |
| access (type line only) | standard |
| file_open (file, name, open_kind) | standard |
| file_close (file) | standard |
| endfile (file) | standard |
| text | std.textio |
| line | std.textio |
| width | std.textio |
| readline (text, line) | std.textio |
| readline (line, bit, boolean) | std.textio |
| read (line, bit) | std.textio |
| readline (line, bit_vector, boolean) | std.textio |
| read (line, bit_vector) | std.textio |
| read (line, boolean, boolean) | std.textio |
| read (line, boolean) | std.textio |
| read (line, character, boolean) | std.textio |
| read (line, character) | std.textio |
| read (line, string, boolean) | std.textio |
| read (line, string) | std.textio |
| write (file, line) | std.textio |
| write (line, bit, boolean) | std.textio |
| write (line, bit) | std.textio |
| write (line, bit_vector, boolean) | std.textio |
| write (line, bit_vector) | std.textio |
| write (line, boolean, boolean) | std.textio |
| write (line, boolean) | std.textio |
| write (line, character, boolean) | std.textio |
| write (line, character) | std.textio |
| write (line, integer, boolean) | std.textio |
| write (line, integer) | std.textio |
| write (line, string, boolean) | std.textio |
| write (line, string) | std.textio |
| read (line, std_ulogic, boolean) | ieee.std_logic_textio |

| Function | Package |
|--|-----------------------|
| read (line, std_ulogic) | ieee.std_logic_textio |
| read (line, std_ulogic_vector), boolean | ieee.std_logic_textio |
| read (line, std_ulogic_vector) | ieee.std_logic_textio |
| read (line, std_logic_vector, boolean) | ieee.std_logic_textio |
| read (line, std_logic_vector) | ieee.std_logic_textio |
| write (line, std_ulogic, boolean) | ieee.std_logic_textio |
| write (line, std_ulogic) | ieee.std_logic_textio |
| write (line, std_ulogic_vector, boolean) | ieee.std_logic_textio |
| write (line, std_ulogic_vector) | ieee.std_logic_textio |
| write (line, std_logic_vector, boolean) | ieee.std_logic_textio |
| write (line, std_logic_vector) | ieee.std_logic_textio |
| hread | ieee.std_logic_textio |

XST supports both implicit and explicit file open and close operations. A file is implicitly opened when declared as follows:

```
file myfile : text open write_mode is "myfilename.dat"; -- declaration and
implicit open
```

Explicitly open and close an external file as follows:

```
file myfile : text; -- declaration
variable file_status : file_open_status;
...
file_open (file_status, myfile, "myfilename.dat", write_mode); -- explicit open
...
file_close(myfile); -- explicit close
```

Loading Memory Contents from an External File

See [Specifying Initial Contents in an External Data File](#) in [Chapter 7, XST HDL Coding Techniques](#).

Writing to a File for Debugging Coding Examples

Coding examples are accurate as of the date of publication. Download updates and other examples from ftp://ftp.xilinx.com/pub/documentation/misc/xstug_examples.zip. Each directory contains a `summary.txt` file listing all examples together with a brief overview.

Writing to a File (Explicit Open/Close) VHDL Coding Example

File write capability is often used for debugging purposes. In the following coding example, write operations are performed to a file that has been explicitly opened.

```
--
-- Writing to a file
-- Explicit open/close with the VHDL'93 FILE_OPEN and FILE_CLOSE procedures
--
-- Download: ftp://ftp.xilinx.com/pub/documentation/misc/xstug_examples.zip
-- File: VHDL_Language_Support/file_type_support/filewrite_explicitopen.vhd
--
library IEEE;
use IEEE.STD_LOGIC_1164.ALL;
use IEEE.STD_LOGIC_UNSIGNED.ALL;
use IEEE.STD_LOGIC_arith.ALL;
use IEEE.STD_LOGIC_TEXTIO.all;
use STD.TEXTIO.all;

entity filewrite_explicitopen is
    generic (data_width: integer:= 4);
    port ( clk : in std_logic;
          di  : in std_logic_vector (data_width - 1 downto 0);
          do  : out std_logic_vector (data_width - 1 downto 0));
end filewrite_explicitopen;

architecture behavioral of filewrite_explicitopen is
    file results : text;
    constant base_const: std_logic_vector(data_width - 1 downto 0):= conv_std_logic_vector(3,data_width);
    constant new_const:  std_logic_vector(data_width - 1 downto 0):= base_const + "0100";
begin

    process(clk)
        variable txtline : line;
        variable file_status : file_open_status;
    begin
        file_open (file_status, results, "explicit.dat", write_mode);
        write(txtline,string'("-----"));
        writeline(results, txtline);
        write(txtline,string'("Base Const: "));
        write(txtline, base_const);
        writeline(results, txtline);
        write(txtline,string'("New Const: "));
        write(txtline,new_const);
        writeline(results, txtline);
        write(txtline,string'("-----"));
        writeline(results, txtline);
        file_close(results);
        if rising_edge(clk) then
            do <= di + new_const;
        end if;
    end process;

end behavioral;
```

Writing to a File (Implicit Open/Close) VHDL Coding Example

You can also rely on an implicit file open.

```
--
-- Writing to a file. Implicit open/close
--
-- Download: ftp://ftp.xilinx.com/pub/documentation/misc/xstug_examples.zip
-- File: VHDL_Language_Support/file_type_support/filewrite_implicitopen.vhd
--
library IEEE;
use IEEE.STD_LOGIC_1164.ALL;
use IEEE.STD_LOGIC_UNSIGNED.ALL;
use IEEE.STD_LOGIC_arith.ALL;
use IEEE.STD_LOGIC_TEXTIO.all;
use STD.TEXTIO.all;

entity filewrite_implicitopen is
  generic (data_width: integer:= 4);
  port ( clk : in std_logic;
        di  : in std_logic_vector (data_width - 1 downto 0);
        do  : out std_logic_vector (data_width - 1 downto 0));
end filewrite_implicitopen;

architecture behavioral of filewrite_implicitopen is
  file results : text open write_mode is "implicit.dat";
  constant base_const: std_logic_vector(data_width - 1 downto 0):= conv_std_logic_vector(3,data_width);
  constant new_const:  std_logic_vector(data_width - 1 downto 0):= base_const + "0100";
begin

  process(clk)
    variable txtline : LINE;
  begin
    write(txtline,string'("-----"));
    writeline(results, txtline);
    write(txtline,string'("Base Const: "));
    write(txtline,base_const);
    writeline(results, txtline);
    write(txtline,string'("New  Const: "));
    write(txtline,new_const);
    writeline(results, txtline);
    write(txtline,string'("-----"));
    writeline(results, txtline);
    if rising_edge(clk) then
      do <= di + new_const;
    end if;
  end process;
end behavioral;
```

Rules for Debugging Using Write Operations

During a **std_logic read** operation, the only allowed characters are 0 and 1. Other values such as X and Z are not allowed. XST rejects the design if the file includes characters other than 0 and 1, except that XST ignores a blank space character.

Do not use identical names for files in different directories.

Do not use conditional calls to read procedures:

```
if SEL = '1' then
  read (MY_LINE, A(3 downto 0));
else
  read (MY_LINE, A(1 downto 0));
end if;
```

VHDL Constructs

This section discusses VHDL Constructs, and includes:

- [VHDL Design Entities and Configurations](#)
- [VHDL Expressions](#)
- [VHDL Statements](#)

VHDL Design Entities and Configurations

XST supports VHDL design entities and configurations except as noted below.

- VHDL Entity Headers
 - Generics
Supported
 - Ports
Supported, including unconstrained ports
 - Entity Statement Part
Unsupported
- VHDL Packages
 - STANDARD
 - Type **TIME** is not supported
- VHDL Physical Types
 - **TIME**
Ignored
 - **REAL**
Supported, but only in functions for constant calculations
- VHDL Modes
Linkage
Unsupported
- VHDL Declarations
Type
Supported for
 - ◆ Enumerated types
 - ◆ Types with positive range having constant bounds
 - ◆ Bit vector types
 - ◆ Multi-dimensional arrays
- VHDL Objects
 - Constant Declaration
Supported except for deferred constant
 - Signal Declaration
Supported except for register and bus type signals
 - Attribute Declaration
Supported for some attributes, otherwise skipped. For more information, see [Chapter 9, XST Design Constraints](#).
- VHDL Specifications
Supported for some predefined attributes only:

- ◆ HIGHLOW
- ◆ LEFT
- ◆ RIGHT
- ◆ RANGE
- ◆ REVERSE_RANGE
- ◆ LENGTH
- ◆ POS
- ◆ ASCENDING
- ◆ EVENT
- ◆ LAST_VALUE
- Configuration
Supported only with the all clause for instances list. If no clause is added, XST looks for the entity or architecture compiled in the default library
- Disconnection
Unsupported

Object names can contain underscores in general (for example, **DATA_1**), but XST does not allow signal names with leading underscores (for example, **_DATA_1**).

VHDL Expressions

This section discusses VHDL Expressions, and includes:

- [Supported/Unsupported VHDL Operators](#)
- [Supported/Unsupported VHDL Operands](#)

Supported/Unsupported VHDL Operators

| Operator | Supported/Unsupported |
|---|---|
| Logical Operators: and, or, nand, nor, xor, xnor, not | Supported |
| Relational Operators: =, /=, <, <=, >, >= | Supported |
| & (concatenation) | Supported |
| Adding Operators: +, - | Supported |
| * | Supported |
| / | Supported if the right operand is a constant power of 2, or if both operands are constant |
| rem | Supported if the right operand is a constant power of 2 |
| mod | Supported if the right operand is a constant power of 2 |
| Shift Operators: sll, srl, sla, sra, rol, ror | Supported |
| abs | Supported |
| ** | Only supported if the left operand is 2 |
| Sign: +, - | Supported |

Supported/Unsupported VHDL Operands

| Operand | Supported/Unsupported |
|-----------------------|--|
| Abstract Literals | Only integer literals are supported |
| Physical Literals | Ignored |
| Enumeration Literals | Supported |
| String Literals | Supported |
| Bit String Literals | Supported |
| Record Aggregates | Supported |
| Array Aggregates | Supported |
| Function Call | Supported |
| Qualified Expressions | Supported for accepted predefined attributes |
| Types Conversions | Supported |
| Allocators | Unsupported |
| Static Expressions | Supported |

VHDL Statements

VHDL supports all statements except as noted in the tables below.

VHDL Wait Statements

| Wait Statement | Supported/Unsupported |
|--|--|
| Wait on sensitivity_list until Boolean_expression. For more information, see VHDL Combinatorial Circuits . | Supported with one signal in the sensitivity list and in the Boolean expression. Multiple Wait statements not supported. Note XST does not support Wait statements for latch descriptions. |
| Wait for time_expression... For more information, see VHDL Combinatorial Circuits . | Unsupported |
| Assertion Statement | Supported (only for static conditions) |
| Signal Assignment Statement | Supported (delay is ignored) |
| Variable Assignment Statement | Supported |
| Procedure Call Statement | Supported |
| If Statement | Supported |
| Case Statement | Supported |

VHDL Loop Statements

| Loop Statement | Supported/Unsupported |
|---------------------------|---|
| for... loop... end loop | Supported for constant bounds only. Disable statements are not supported. |
| while... loop... end loop | Supported |
| loop ... end loop | Only supported in the particular case of multiple Wait statements |
| Next Statement | Supported |
| Exit Statement | Supported |
| Return Statement | Supported |
| Null Statement | Supported |

VHDL Concurrent Statements

| Concurrent Statement | Supported/Unsupported |
|--|---|
| Process Statement | Supported |
| Concurrent Procedure Call | Supported |
| Concurrent Assertion Statement | Ignored |
| Concurrent Signal Assignment Statement | Supported (no after clause, no transport or guarded options, no waveforms) UNAFFECTED is supported. |
| Component Instantiation Statement | Supported |
| for-generate | Statement supported for constant bounds only |
| if-generate | Statement supported for static condition only |

VHDL Reserved Words

| | | | |
|-----------|---------------|--------------|------------|
| abs | access | after | alias |
| all | and | architecture | array |
| assert | attribute | begin | block |
| body | buffer | bus | case |
| component | configuration | constant | disconnect |
| downto | else | elsif | end |
| entity | exit | file | for |
| function | generate | generic | group |
| guarded | if | impure | in |
| inertial | inout | is | label |
| library | linkage | literal | loop |
| map | mod | nand | new |
| next | nor | not | null |

| | | | |
|-----------|-----------|------------|--------|
| of | on | open | or |
| others | out | package | port |
| postponed | procedure | process | pure |
| range | record | register | reject |
| rem | report | return | rol |
| ror | select | severity | signal |
| shared | sla | sll | sra |
| srl | subtype | then | to |
| transport | type | unaffected | units |
| until | use | variable | wait |
| when | while | with | xnor |
| xor | | | |

XST Verilog Support

Note The *XST User Guide for Virtex-6 and Spartan-6 Devices* applies to Xilinx® Virtex®-6 and Spartan®-6 devices only. For information on using XST with other devices, see the *XST User Guide*.

This chapter describes XST Verilog Support, and includes:

- [About XST Verilog Support](#)
- [Verilog Variable Part Selects](#)
- [Structural Verilog Features](#)
- [Verilog Parameters](#)
- [Verilog Parameter and Attribute Conflicts](#)
- [Verilog Usage Restrictions in XST](#)
- [Verilog 2001 Attributes and Meta Comments](#)
- [Verilog Constructs](#)
- [Verilog System Tasks and Functions](#)
- [Verilog Primitives](#)
- [Verilog Reserved Keywords](#)
- [Verilog-2001 Support in XST](#)

About XST Verilog Support

Complex circuits are commonly designed using a top down methodology. Various specification levels are required at each stage of the design process. For example, at the architectural level, a specification can correspond to a block diagram or an Algorithmic State Machine (ASM) chart. A block or ASM stage corresponds to a register transfer block where the connections are **N-bit** wires, such as:

- Register
- Adder
- Counter
- Multiplexer
- Glue logic
- Finite State Machine (FSM)

A Hardware Description Language (HDL) such as Verilog allows the expression of notations such as ASM charts and circuit diagrams in a computer language.

Verilog provides both behavioral and structural language structures. These structures allow expressing design objects at high and low levels of abstraction. Designing hardware with a language such as Verilog allows using software concepts such as parallel processing and object-oriented programming. Verilog has a syntax similar to C and Pascal, and is supported by XST as IEEE 1364.

Verilog support in XST allows you to describe the global circuit and each block in the most efficient style. Synthesis is then performed with the best synthesis flow for each block. Synthesis in this context is the compilation of high-level behavioral and structural Verilog HDL statements into a flattened gate-level netlist, which can then be used to custom program a programmable logic device such as a Virtex® device. Different synthesis methods are used for arithmetic blocks, glue logic, and Finite State Machine (FSM) components.

This Guide assumes that you are familiar with basic Verilog concepts. For more information, see the *IEEE Verilog HDL Reference Manual*.

For more information about XST support for Verilog constructs and meta comments, see:

- Verilog design constraints and options
[Chapter 9, XST Design Constraints](#)
- Verilog attribute syntax
[Verilog 2001 Attributes and Meta Comments](#) in [Chapter 4, XST Verilog Support](#).
- Setting Verilog options in the Process window of ISE® Design Suite
[Chapter 10, XST General Constraints](#)

For information about Behavioral Verilog, see [Chapter 5, XST Behavioral Verilog Support](#).

Verilog Variable Part Selects

Verilog-2001 allows you to use variables to select a group of bits from a vector. A variable part select is defined by the starting point of its range and the width of the vector, instead of being bounded by two explicit values. The starting point of the part select can vary, but the width of the part select remains constant.

Variable Part Selects Symbols

| Symbol | Meaning |
|-----------|---|
| + (plus) | The part select increases from the starting point |
| - (minus) | The part select decreases from the starting point |

Variable Part Selects Verilog Coding Example

```
reg [3:0] data;
reg [3:0] select; // a value from 0 to 7
wire [7:0] byte = data[select +: 8];
```

Structural Verilog Features

Structural Verilog descriptions assemble several blocks of code and allow the introduction of hierarchy in a design. The basic concepts of hardware structure are as follows.

- Component
Building or basic bloc
- Port
Component I/O connector
- Signal
Corresponds to a wire between components

In Verilog, a component is represented by a design module.

- The module *declaration* provides an *external* view of the component. It describes what can be seen from the outside, including the component ports.
- The module *body* provides an *internal* view. It describes the behavior or the structure of the component.

The connections between components are specified within component instantiation statements. These statements specify an instance of a component occurring within another component or the circuit. Each component instantiation statement is labeled with an identifier.

Besides naming a component declared in a local component declaration, a component instantiation statement contains an association list (the parenthesized list). The list specifies which actual signals or ports are associated with which local ports of the component declaration.

Verilog provides a large set of built-in logic gates which can be instantiated to build larger logic circuits. The set of logical functions described by the built-in gates includes:

- **AND**
- **OR**
- **XOR**
- **NAND**
- **NOR**
- **NOT**

2-Input XOR Function Verilog Coding Example

```
module build_xor (a, b, c);
    input a, b;
    output c;
    wire c, a_not, b_not;

    not a_inv (a_not, a);
    not b_inv (b_not, b);
    and a1 (x, a_not, b);
    and a2 (y, b_not, a);
    or out (c, x, y);
endmodule
```

Each instance of the built-in modules has a unique instantiation name such as:

- **a_inv**
- **b_inv**
- **out**

Half Adder Verilog Coding Example

The following coding example shows the structural description of a half adder composed of four, 2-input **nand** modules.

```
module halfadd (X, Y, C, S);
    input X, Y;
    output C, S;
    wire S1, S2, S3;

    nand NANDA (S3, X, Y);
    nand NANDB (S1, X, S3);
    nand NANDC (S2, S3, Y);
    nand NANDD (S, S1, S2);
    assign C = S3;
endmodule
```

The structural features of Verilog also allow you to design circuits by instantiating pre-defined primitives such as gates, registers and Xilinx® specific primitives such as **CLKDLL** and **BUFG**. These primitives are other than those included in Verilog. These pre-defined primitives are supplied with the XST Verilog libraries (`unisim_comp.v`).

Instantiating an FDC and a BUFG Primitive Verilog Coding Example

```
module example (sysclk, in, reset, out);
  input sysclk, in, reset;
  output out;
  reg out;
  wire sysclk_out;

  FDC register (out, sysclk_out, reset, in); //position based referencing
  BUFG clk (.O(sysclk_out),.I(sysclk)); //name based referencing
  ...
endmodule
```

The `unisim_comp.v` library file supplied with XST includes the definitions for **FDC** and **BUFG**.

Verilog Parameters

Verilog parameters:

- Allow you to create parameterized code that can be easily reused and scaled
- Make code more readable, more compact, and easier to maintain
- Can be used to describe such functionality as bus sizes, or the amount of certain repetitive elements in the modelled design unit
- Are constants. For each instantiation of a parameterized module, default parameter values can be overridden.
- Are the equivalent of VHDL generics

Null string parameters are not supported.

Use [Generics \(-generics\)](#) to redefine Verilog parameters values defined in the top-level design block. This allows you to modify the design configuration without modifying the source code. This feature is useful for such processes as IP core generation and flow testing.

Verilog Parameters Coding Example

```
module lpm_reg (out, in, en, reset, clk);
  parameter SIZE = 1;
  input in, en, reset, clk;
  output out;
  wire [SIZE-1 : 0] in;
  reg [SIZE-1 : 0] out;

  always @(posedge clk or negedge reset)
  begin
    if (!reset)
      out <= 1'b0;
    else if (en)
      out <= in;
    else
      out <= out; //redundant assignment
  end
endmodule

module top (); //portlist left blank intentionally
  ...
  wire [7:0] sys_in, sys_out;
  wire sys_en, sys_reset, sysclk;

  lpm_reg #8 buf_373 (sys_out, sys_in, sys_en, sys_reset, sysclk);
  ...
endmodule
```

Instantiation of the module `lpm_reg` with a instantiation width of **8** causes the instance `buf_373` to be **8** bits wide.

Verilog Parameters and Generate-For Coding Example

Coding examples are accurate as of the date of publication. Download updates and other examples from ftp://ftp.xilinx.com/pub/documentation/misc/xstug_examples.zip. Each directory contains a `summary.txt` file listing all examples together with a brief overview.

The following example illustrates how to control the creation of repetitive elements using parameters and **generate-for** constructs. For more information, see [Behavioral Verilog Generate Loop Statements](#).

```
//
// A shift register description that illustrates the use of parameters and
// generate-for constructs in Verilog
//
// Download: ftp://ftp.xilinx.com/pub/documentation/misc/xstug_examples.zip
// File: Verilog_Language_Support/parameter/parameter_generate_for_1.v
//
module parameter_generate_for_1 (clk, si, so);

    parameter SIZE = 8;

    input  clk;
    input  si;
    output so;

    reg [0:SIZE-1] s;

    assign so = s[SIZE-1];

    always @ (posedge clk)
        s[0] <= si;

    genvar i;
    generate
        for (i = 1; i < SIZE; i = i+1)
            begin : shreg
                always @ (posedge clk)
                    begin
                        s[i] <= s[i-1];
                    end
            end
    endgenerate
endmodule
```

Verilog Parameter and Attribute Conflicts

Conflicts occasionally arise since:

- Parameters and attributes can be applied to both instances and modules in the Verilog code, and
- Attributes can also be specified in a constraints file

To resolve these conflicts, XST uses the following rules of precedence:

1. Specifications on an instance (lower level) take precedence over specifications on a module (higher level).
2. If a parameter and an attribute are specified on either the same instance or the same module, the parameter takes precedence. XST issues a warning message.
3. An attribute specified in the XST Constraint File (XCF) takes precedence over attributes or parameters specified in the Verilog code.

When an attribute specified on an instance overrides a parameter specified on a module in XST, a simulation tool can still use the parameter. If that occurs, there will be a simulation mismatch with post-synthesis results.

Verilog Parameter and Attribute Conflicts Precedence

| | Parameter on an Instance | Parameter on a Module |
|--------------------------|--------------------------------------|--|
| Attribute on an Instance | Apply Parameter (XST issues warning) | Apply Attribute (possible simulation mismatch) |
| Attribute on a Module | Apply Parameter | Apply Parameter (XST issues warning) |
| Attribute in XCF | Apply Attribute (XST issues warning) | Apply Attribute |

Security attributes on the module definition always have higher precedence than any other attribute or parameter.

Verilog Usage Restrictions in XST

This section discusses limitations in XST Verilog support, and supported features for which Xilinx® recommends restrictions. This section includes:

- [Case Sensitivity](#)
- [Blocking and Nonblocking Assignments](#)
- [Integer Handling](#)

Case Sensitivity

XST fully supports Verilog case sensitivity. However, you must be aware of potential name collisions.

Since Verilog is case sensitive, module, instance and signal names can theoretically be made unique by changing capitalization. XST can successfully synthesize a design with instance and signal names differing only by capitalization. However, when module names differ only by capitalization, XST errors out.

Do not rely exclusively on capitalization to make object names unique. Doing so can cause problems in mixed language projects. You may also be unable to apply constraints through an XST Constraint File (XCF) file.

Blocking and Nonblocking Assignments

XST fully supports both blocking and non-blocking assignments.

Do not mix blocking and non-blocking assignments. Although synthesized without error by XST, they can cause errors during simulation.

Unacceptable Coding Example One

Do not mix blocking and non-blocking assignments to the same signal.

```
always @(in1)
begin
    if (in2)
        out1 = in1;
    else
        out1 <= in2;
end
```

Unacceptable Coding Example Two

Do not mix blocking and non-blocking assignments for different bits of the same signal.

```
if (in2)
begin
    out1[0] = 1'b0;
    out1[1] <= in1;
end
else
begin
    out1[0] = in2;
    out1[1] <= 1'b1;
end
end
```

Integer Handling

XST handles integers differently from other synthesis tools in several instances. They must be coded in a particular way.

- [Integer Handling in Verilog Case Statements](#)
- [Integer Handling in Verilog Concatenations](#)

Integer Handling in Verilog Case Statements

Unsigned integers in **case** item expressions can cause unpredictable results. In the following coding example, the **case** item expression **4** is an unsigned integer that causes unpredictable results. To avoid problems, size the **4** to 3 bits as follows.

Integer Handling in Verilog Case Statements Coding Example

```
reg [2:0] condition1;
always @(condition1)
begin
case(condition1)
4 : data_out = 2; // < will generate bad logic
3'd4 : data_out = 2; // < will work
endcase
end
```

Integer Handling in Verilog Concatenations

Unsigned integers in concatenations can cause unpredictable results. If you use an expression that results in an unsigned integer, assign the expression to a temporary signal, and use the temporary signal in the concatenation as follows.

Integer Handling in Verilog Concatenations Coding Example

```
reg [31:0] temp;
assign temp = 4'b1111 % 2;
assign dout = {12/3,temp,din};
```

Verilog–2001 Attributes and Meta Comments

XST supports:

- [Verilog-2001 Attributes](#)
- [Verilog Meta Comments](#)

Verilog-2001 Attributes

XST supports Verilog-2001 attribute statements. Attributes are comments that pass specific information to software tools such as synthesis tools. Xilinx® recommends Verilog-2001 Attributes since they are more generally accepted. Verilog-2001 attributes can be specified anywhere for operators or signals within module declarations and instantiations. Other attribute declarations may be supported by the compiler, but are ignored by XST.

Use attributes to:

- Set constraints on individual objects, such as:
 - `module`
 - `instance`
 - `net`
- Set the following synthesis constraints
 - [Full Case \(FULL_CASE\)](#)
 - [Parallel Case \(PARALLEL_CASE\)](#)

Verilog Meta Comments

Meta comments are comments that are understood by the Verilog parser. Use Verilog meta comments to:

- Set constraints on individual objects, such as:
 - `module`
 - `instance`
 - `net`
- Set directives on synthesis:
 - `parallel_case` and `full_case`
 - `translate_on` and `translate_off`
 - All tool specific directives (for example, `syn_sharing`)

For more information, see [Chapter 9, XST Design Constraints](#).

Meta comments can be written using the following styles:

- C-style (`/* ... */`)
C-style comments can be multiple line.
- Verilog style (`// ...`)
Verilog style comments end at the end of the line.

XST supports:

- Both C-style and Verilog style meta comments
- [Translate Off \(TRANSLATE_OFF\)](#) and [Translate On \(TRANSLATE_ON\)](#)

```
// synthesis translate_on
// synthesis translate_off
```

- [Parallel Case \(PARALLEL_CASE\)](#)

```
// synthesis parallel_case full_case // synthesis parallel_case
// synthesis full_case
```

- Constraints on individual objects

The general syntax is:

```
// synthesis attribute [of] ObjectName [is] AttributeValue
```

Verilog Meta Comments Syntax Examples

```
// synthesis attribute RLOC of u123 is R11C1.S0
// synthesis attribute HUSER u1 MY_SET
// synthesis attribute fsm_extract of State2 is "yes"
// synthesis attribute fsm_encoding of State2 is "gray"
```


Verilog Constructs

This section discusses supported and unsupported Verilog constructs, and includes:

- [Verilog Constants](#)
- [Verilog Data Types](#)
- [Verilog Continuous Assignments](#)
- [Verilog Procedural Assignments](#)
- [Verilog Design Hierarchies](#)
- [Verilog Compiler Directives](#)

Note XST does not allow underscores as the first character of signal names (for example, `_DATA_1`)

Verilog Constants

XST supports all Verilog constants except as shown in the following table.

Verilog Constants Supported in XST

| Constant | Supported/Unsupported |
|----------|-----------------------|
| Integer | Supported |
| Real | Supported |
| Strings | Unsupported |

Verilog Data Types

XST supports all Verilog data types except as shown in the following table.

Verilog Data Types Supported in XST

| Data Type | Category | Supported/Unsupported |
|-----------------|-----------------------------|-----------------------|
| Net types | tri0, tri1, trireg | Unsupported |
| Drive strengths | All | Ignored |
| Registers | Real and realtime registers | Unsupported |
| Named events | All | Unsupported |

Verilog Continuous Assignments

XST supports all Verilog continuous assignments except as shown in the following table.

Verilog Continuous Assignments Supported in XST

| Continuous Assignment | Supported/Unsupported |
|-----------------------|-----------------------|
| Drive Strength | Ignored |
| Delay | Ignored |

Verilog Procedural Assignments

XST supports all Verilog Procedural Assignments except as shown in the following table.

Verilog Procedural Assignments Supported in XST

| Procedural Assignment | Supported/Unsupported |
|-----------------------|--|
| assign | Supported with limitations. See Behavioral Verilog Assign and Deassign Statements. |
| deassign | Supported with limitations. See Behavioral Verilog Assign and Deassign Statements. |
| force | Unsupported |
| release | Unsupported |
| forever statements | Unsupported |
| repeat statements | Supported, but repeat value must be constant |
| for statements | Supported, but bounds must be static |
| delay (#) | Ignored |
| event (@) | Unsupported |
| wait | Unsupported |
| Named Events | Unsupported |
| Parallel Blocks | Unsupported |
| Specify Blocks | Ignored |
| Disable | Supported except in For and Repeat Loop statements. |

Verilog Design Hierarchies

XST supports all Verilog design hierarchies except as shown in the following table.

Verilog Design Hierarchies Supported in XST

| Design Hierarchy | Supported/Unsupported |
|------------------------|-----------------------|
| module definition | Supported |
| macromodule definition | Unsupported |
| hierarchical names | Unsupported |
| defparam | Supported |
| array of instances | Supported |

Verilog Compiler Directives

XST supports all Verilog compiler directives except as shown in the following table.

Verilog Compiler Directives Supported in XST

| Compiler Directive | Supported/Unsupported |
|---|-----------------------|
| 'celldefine 'endcelldefine | Ignored |
| 'default_nettype | Supported |
| 'define | Supported |
| 'ifdef 'else 'endif | Supported |
| 'undef, 'ifndef, 'elsif, | Supported |
| 'include | Supported |
| 'resetall | Ignored |
| 'timescale | Ignored |
| 'unconnected_drive 'nounconnected_drive | Ignored |
| 'uselib | Unsupported |
| 'file, 'line | Supported |

Verilog System Tasks and Functions

This section discusses Verilog System Tasks and Functions and includes:

- [Verilog System Tasks and Functions Supported in XST](#)
- [Using Conversion Functions](#)
- [Loading Memory Contents with File I/O Tasks](#)
- [Display Tasks](#)
- [Creating Design Rule Checks with \\$finish](#)

Verilog System Tasks and Functions Supported in XST

Verilog System Tasks and Functions Supported in XST

| System Task or Function | Supported/Unsupported | Comment |
|-------------------------|-----------------------|---|
| <code>\$display</code> | Supported | Escape sequences are limited to <code>%d</code> , <code>%b</code> , <code>%h</code> , <code>%o</code> , <code>%c</code> and <code>%s</code> |
| <code>\$fclose</code> | Supported | |
| <code>\$fdisplay</code> | Supported | |
| <code>\$fgets</code> | Supported | |
| <code>\$finish</code> | Supported | <code>\$finish</code> is supported for statically never active conditional branches only |
| <code>\$fopen</code> | Supported | |
| <code>\$fscanf</code> | Supported | Escape sequences are limited to <code>%b</code> and <code>%d</code> |
| <code>\$fwrite</code> | Supported | |
| <code>\$monitor</code> | Ignored | |
| <code>\$random</code> | Ignored | |
| <code>\$readmemb</code> | Supported | |
| <code>\$readmemh</code> | Supported | |
| <code>\$signed</code> | Supported | |
| <code>\$stop</code> | Ignored | |
| <code>\$strobe</code> | Ignored | |
| <code>\$time</code> | Ignored | |
| <code>\$unsigned</code> | Supported | |
| <code>\$write</code> | Supported | Escape sequences are limited to <code>%d</code> , <code>%b</code> , <code>%h</code> , <code>%o</code> , <code>%c</code> and <code>%s</code> |
| all others | Ignored | |

The XST Verilog compiler ignores unsupported system tasks.

Using Conversion Functions

The `$signed` and `$unsigned` system tasks can be called on any expression using the following syntax:

```
$signed(expr) or $unsigned(expr)
```

The return value from these calls is the same size as the input value. Its sign is forced regardless of any previous sign.

Loading Memory Contents With File I/O Tasks

The `$readmemb` and `$readmemh` system tasks can be used to initialize block memories. For more information, see [Specifying Initial Contents in an External Data File](#) in [Chapter 7, XST HDL Coding Techniques](#).

Use `$readmemb` for binary and `$readmemh` for hexadecimal representation. To avoid possible differences between XST and simulator behavior, Xilinx® recommends that you use index parameters in these system tasks.

```
$readmemb("rams_20c.data", ram, 0, 7);
```

Display Tasks

Display tasks can be used to print information to the console or write it to an external file. You must call these tasks from within initial blocks. XST supports the following subset of escape sequences:

- %h
- %d
- %o
- %b
- %c
- %s

Verilog \$display Syntax Example

The following example shows the syntax for `$display` that reports the value of a binary constant in decimal.

```
parameter c = 8'b00101010;

initial
begin
    $display ("The value of c is %d", c);
end
```

The following information is written to the log file during the HDL Analysis phase:

```
Analyzing top module <example>.
c = 8'b00101010
"foo.v" line 9: $display : The value of c is 42
```

Creating Design Rule Checks with \$finish

Although the `$finish` simulation control task is primarily intended for simulation, XST partially supports it, allowing you to use `$finish` to create built-in design rule checks. Design rule checking detects design configurations that are syntactically correct, but which may result in unworkable or otherwise undesired implementations. Using `$finish` can save significant synthesis and implementation time by forcing an early exit of XST when it detects undesired conditions.

XST ignores `$finish` if its execution depends on the occurrence of specific dynamic conditions during simulation or operation of the circuit on the board. Only simulation tools can detect such situations. Synthesis tools, including XST, ignore them.

Coding examples are accurate as of the date of publication. Download updates and other examples from ftp://ftp.xilinx.com/pub/documentation/misc/xstug_examples.zip. Each directory contains a `summary.txt` file listing all examples together with a brief overview.

Ignored Use of \$finish Verilog Coding Example

```
//  
// Ignored use of $finish for simulation purposes only  
//  
// Download: ftp://ftp.xilinx.com/pub/documentation/misc/xstug_examples.zip  
// File: Verilog_Language_Support/system_tasks/finish_ignored_1.v  
//  
module finish_ignored_1 (clk, di, do);  
  
    input        clk;  
    input        [3:0] di;  
    output reg [3:0] do;  
  
    initial  
    begin  
        do = 4'b0;  
    end  
  
    always @(posedge clk)  
    begin  
        if (di < 4'b1100)  
            do <= di;  
        else  
            begin  
                $display("%t, di value %d should not be more than 11", $time, di);  
                $finish;  
            end  
        end  
    end  
  
endmodule
```

Occurrences of the **\$finish** system task in dynamically active situations are flagged and ignored.

A **\$finish** is considered by XST if its execution depends only on static conditions that can be fully evaluated during elaboration of the Verilog source code. Such statically evaluated conditions mainly involve comparison of parameters against expected values. This is typically done in a module initial block as illustrated below. Use the **\$display** system task in conjunction with **\$finish** to create exit messages to help you locate the root cause of an early exit by XST.

Supported Use of \$finish for Design Rule Checking Verilog Coding Example

```
//
// Supported use of $finish for design rule checking
//
// Download: ftp://ftp.xilinx.com/pub/documentation/misc/xstug_examples.zip
// File: Verilog_Language_Support/system_tasks/finish_supported_1.v
//
module finish_supported_1 (clk, di, do);

    parameter integer WIDTH    = 4;
    parameter          DEVICE  = "virtex6";

    input          clk;
    input [WIDTH-1:0] di;
    output reg [WIDTH-1:0] do;

initial
begin
    if (DEVICE != "virtex6")
        begin
            $display ("DRC ERROR: Unsupported device family: %s.", DEVICE);
            $finish;
        end
    if (WIDTH < 8)
        begin
            $display ("DRC ERROR: This module not tested for data width: %d. Minimum allowed width is 8.", WIDTH);
            $finish;
        end
end

always @(posedge clk)
begin
    do <= di;
end

endmodule
```

XST ignores the **\$stop** Verilog simulation control task.

Verilog Primitives

XST supports Verilog primitives as follows.

- XST supports certain gate-level primitives. The supported syntax is:
`gate_type instance_name (output, inputs,...);`
 Following is a gate-level primitive instantiations coding example.
`and U1 (out, in1, in2); bufif1 U2 (triout, data, trienable);`
- XST supports all Verilog Gate Level primitives except as shown in the following table.

Verilog Gate Level Primitives Supported in XST

| Primitive | Supported/Unsupported |
|--------------------------|-----------------------|
| Pulldown and pullup | Unsupported |
| Drive strength and delay | Ignored |
| Arrays of primitives | Unsupported |

- XST does not support Verilog Switch-Level primitives, such as:
 - **cmos, nmos, pmos, rcmos, rnmos, rpmos**
 - **rtran, rtranif0, rtranif1, tran, tranif0, tranif1**
- XST does not support Verilog user-defined primitives.

Verilog Reserved Keywords

The following table shows Verilog Reserved Keywords. Keywords marked with an asterisk (*) are reserved by Verilog, but are not supported by XST.

Verilog Reserved Keywords

| | | | |
|------------------------|-----------------------|-------------------|--------------|
| always | and | assign | automatic |
| begin | buf | bufif0 | bufif1 |
| case | casex | casez | cell* |
| cmos | config* | deassign | default |
| defparam | design* | disable | edge |
| else | end | endcase | endconfig* |
| endfunction | endgenerate | endmodule | endprimitive |
| endspecify | endtable | endtask | event |
| for | force | forever | fork |
| function | generate | genvar | highz0 |
| highz1 | if | ifnone | incdir* |
| include* | initial | inout | input |
| instance* | integer | join | large |
| liblist* | library* | localparam | macromodule |
| medium | module | nand | negedge |
| nmos | nor | noshow-cancelled* | not |
| notif0 | notif1 | or | output |
| parameter | pmos | posedge | primitive |
| pull0 | pull1 | pullup | pulldown |
| pulsestyle- _ondetect* | pulsestyle- _onevent* | rcmos | real |
| realtime | reg | release | repeat |
| rnmos | rpmos | rtran | rtranif0 |
| rtranif1 | scalared | show-cancelled* | signed |
| small | specify | specparam | strong0 |
| strong1 | supply0 | supply1 | table |
| task | time | tran | tranif0 |
| tranif1 | tri | tri0 | tri1 |
| triand | trior | tireg | use* |
| vectored | wait | wand | weak0 |
| weak1 | while | wire | wor |
| xnor | xor | | |

Verilog 2001 Support in XST

XST supports the following Verilog-2001 features. For more information, see *Verilog-2001: A Guide to the New Features* by Stuart Sutherland, or *IEEE Standard Verilog Hardware Description Language manual*, (IEEE Standard 1364-2001).

- Generate statements
- Combined port/data type declarations
- ANSI-style port list
- Module parameter port lists
- ANSI C style task/function declarations
- Comma separated sensitivity list
- Combinatorial logic sensitivity
- Default nets with continuous assigns
- Disable default net declarations
- Indexed vector part selects
- Multi-dimensional arrays
- Arrays of net and real data types
- Array bit and part selects
- Signed reg, net, and port declarations
- Signed based integer numbers
- Signed arithmetic expressions
- Arithmetic shift operators
- Automatic width extension past 32 bits
- Power operator
- N sized parameters
- Explicit in-line parameter passing
- Fixed local parameters
- Enhanced conditional compilation
- File and line compiler directives
- Variable part selects
- Recursive Tasks and Functions
- Constant Functions

XST Behavioral Verilog Support

Note The *XST User Guide for Virtex-6 and Spartan-6 Devices* applies to Xilinx® Virtex®-6 and Spartan®-6 devices only. For information on using XST with other devices, see the *XST User Guide*.

This chapter describes XST Behavioral Verilog Support, and includes:

- Behavioral Verilog Variable Declarations
- Behavioral Verilog Initial Values
- Behavioral Verilog Arrays Coding Examples
- Behavioral Verilog Multi-Dimensional Arrays
- Behavioral Verilog Data Types
- Behavioral Verilog Legal Statements
- Behavioral Verilog Expressions
- Behavioral Verilog Blocks
- Behavioral Verilog Modules
- Behavioral Verilog Continuous Assignments
- Behavioral Verilog Procedural Assignments
- Behavioral Verilog Tasks and Functions
- Behavioral Verilog Blocking Versus Non-Blocking Procedural Assignments
- Behavioral Verilog Constants
- Behavioral Verilog Macros
- Behavioral Verilog Include Files
- Behavioral Verilog Comments
- Behavioral Verilog Generate Statements

Behavioral Verilog Variable Declarations

Variables in Verilog can be declared as **integer** or **real**. These declarations are intended for use in test code only. Verilog provides data types such as **reg** and **wire** for actual hardware description.

The difference between **reg** and **wire** depends on whether the variable is given its value in a procedural block (**reg**) or in a continuous assignment (**wire**). Both **reg** and **wire** have a default width of one bit (scalar). To specify an **N-bit** width (vectors) for a declared **reg** or **wire**, the left and right bit positions are defined in square brackets separated by a colon. In Verilog-2001, both **reg** and **wire** data types can be **signed** or **unsigned**.

Variable Declarations Coding Example

```
reg [3:0] arb_priority;
wire [31:0] arb_request;
wire signed [8:0] arb_signed;
```

Behavioral Verilog Initial Values

In Verilog-2001, you can initialize registers when you declare them. The initial value specified:

- Is a constant
- Cannot depend on earlier initial values
- Cannot be a function or task call
- Can be a parameter value propagated to the register
- Specifies all bits of a vector

When you give a register an initial value in a declaration, XST sets this value on the output of the register at global reset, or at power up. A value assigned this way is carried in the NGC file as an **INIT** attribute on the register, and is independent of any local reset.

Behavioral Verilog Initial Values Coding Example One

```
reg arb_onebit = 1'b0;
reg [3:0] arb_priority = 4'b1011;
```

You can also assign a set/reset (initial) value to a register in your behavioral Verilog code. Assign a value to a register when the register reset line goes to the appropriate value as shown in the following coding example.

Behavioral Verilog Initial Values Coding Example Two

```
always @(posedge clk)
begin
    if (rst)
        arb_onebit <= 1'b0;
end
```

When you set the initial value of a variable in the behavioral code, it is implemented in the design as a flip-flop whose output can be controlled by a local reset. As such, it is carried in the NGC file as an FDP or FDC flip-flop.

Behavioral Verilog Arrays Coding Examples

Verilog allows arrays of **reg** and **wire** to be defined as shown below.

Behavioral Verilog Arrays Coding Example One

The following coding example describes an array of 32 elements. Each element is 4-bits wide.

```
reg [3:0] mem_array [31:0];
```

Behavioral Verilog Arrays Coding Example Two

The following coding example describes an array of 64 8-bit wide elements which can be assigned only in structural Verilog code.

```
wire [7:0] mem_array [63:0];
```

Behavioral Verilog Multi-Dimensional Arrays

XST supports multi-dimensional array types of up to two dimensions. Multi-dimensional arrays can be any net or any variable data type. You can code assignments and arithmetic operations with arrays, but you cannot select more than one element of an array at one time. You cannot pass multi-dimensional arrays to system tasks or functions, or to regular tasks or functions.

Behavioral Verilog Multi-Dimensional Array Coding Example One

The following Verilog coding example describes an array of 256 x 16 wire elements of 8-bits each, which can be assigned only in structural Verilog code

```
wire [7:0] array2 [0:255][0:15];
```

Behavioral Verilog Multi-Dimensional Array Coding Example Two

The following Verilog coding example describes an array of 256 x 8 register elements, each 64 bits wide, which can be assigned in behavioral Verilog code.

```
reg [63:0] regarray2 [255:0][7:0];
```

Behavioral Verilog Data Types

The Verilog representation of the bit data type contains the following values:

- **0**
logic zero
- **1**
logic one
- **x**
unknown logic value
- **z**
high impedance

XST supports the following Verilog data types:

- **net**
- **wire**
- **tri**
- **triand/wand**
- **trior/wor**
- **registers**
- **reg**
- **integer**
- **supply nets**
- **supply0**
- **supply1**
- **constants**
- **parameter**
- **Multi-Dimensional Arrays (Memories)**

Net and registers can be either:

- Single bit (scalar)
- Multiple bit (vectors)

Behavioral Verilog Data Types Coding Example

The following coding example shows sample Verilog data types found in the declaration section of a Verilog module.

```
wire net1; // single bit net
reg r1; // single bit register
tri [7:0] bus1; // 8 bit tristate bus
reg [15:0] bus1; // 15 bit register
reg [7:0] mem[0:127]; // 8x128 memory register
parameter stater = 3'b001; // 3 bit constant
parameter component = "TMS380C16"; // string
```

Behavioral Verilog Legal Statements

The following statements (variable and signal assignments) are legal in Behavioral Verilog:

- `variable = expression`
- `if` (condition) statement
- `else` statement
- `case` (expression)

```
expression: statement
...
default: statement
endcase
```

- `for` (variable = expression; condition; variable = variable + expression) statement
- `while` (condition) statement
- `forever` statement
- functions and tasks

All variables are declared as `integer` or `reg`. A variable cannot be declared as a `wire`.

Behavioral Verilog Expressions

This section discusses Behavioral Verilog Expressions, and includes:

- [About Behavioral Verilog Expressions](#)
- [Behavioral Verilog Supported Operators](#)
- [Behavioral Verilog Supported Expressions](#)
- [Results of Evaluating Expressions in Behavioral Verilog](#)

About Behavioral Verilog Expressions

An expression involves constants and variables with arithmetic, logical, relational, and conditional operators. Logical operators are further divided into bit-wise and logical, depending on whether they are applied to an expression involving several bits or a single bit.

Behavioral Verilog Supported Operators

The following table shows Behavioral Verilog Supported Operators.

Behavioral Verilog Supported Operators

| Arithmetic | Logical | Relational | Conditional |
|------------|---------|------------|-------------|
| + | & | < | ? |
| - | && | == | |
| * | | === | |
| ** | | <= | |
| / | ^ | >= | |
| % | ~ | >= | |
| | ~^ | != | |
| | ^~ | != | |
| | << | > | |
| | >> | | |
| | <<< | | |
| | >>> | | |

Behavioral Verilog Supported Expressions

The following table shows Behavioral Verilog Supported Expressions.

Behavioral Verilog Supported Expressions

| Expression | Symbol | Supported/Unsupported |
|----------------|-------------|--|
| Concatenation | {} | Supported |
| Replication | {{}} | Supported |
| Arithmetic | +, -, *, ** | Supported |
| Division | / | Supported only if second operand is a power of 2, or if both operands are constant |
| Modulus | % | Supported only if second operand is a power of 2 |
| Addition | + | Supported |
| Subtraction | - | Supported |
| Multiplication | * | Supported |
| Power | ** | Supported <ul style="list-style-type: none"> Both operands are constants, with the second operand being non-negative. If the first operand is a 2, then the second operand can be a variable. XST does not support the real data type. Any combination of operands that results in a real type causes an error. The values X (unknown) and Z (high impedance) are not allowed. |

| Expression | Symbol | Supported/Unsupported |
|----------------------|--------------|-----------------------|
| Relational | >, <, >=, <= | Supported |
| Logical Negation | ! | Supported |
| Logical AND | && | Supported |
| Logical OR | | Supported |
| Logical Equality | == | Supported |
| Logical Inequality | != | Supported |
| Case Equality | === | Supported |
| Case Inequality | !== | Supported |
| Bitwise Negation | ~ | Supported |
| Bitwise AND | & | Supported |
| Bitwise Inclusive OR | | Supported |
| Bitwise Exclusive OR | ^ | Supported |
| Bitwise Equivalence | ~^, ^~ | Supported |
| Reduction AND | & | Supported |
| Reduction NAND | ~& | Supported |
| Reduction OR | | Supported |
| Reduction NOR | ~ | Supported |
| Reduction XOR | ^ | Supported |
| Reduction XNOR | ~^, ^~ | Supported |
| Left Shift | << | Supported |
| Right Shift Signed | >>> | Supported |
| Left Shift Signed | <<< | Supported |
| Right Shift | >> | Supported |
| Conditional | ?: | Supported |
| Event OR | or, '' | Supported |

Results of Evaluating Expressions in Behavioral Verilog

The following table shows evaluated expressions based on the most frequently used operators. The (===) and (!==) operators are special comparison operators. Use them in simulation to see if a variable is assigned a value of (x) or (z). They are treated as (==) or (!=) by synthesis.

Results of Evaluating Expressions in Behavioral Verilog

| a b | a==b | a===b | a!=b | a!==b | a&b | a&&b | a b | a b | a^b |
|-----|------|-------|------|-------|-----|------|-----|------|-----|
| 0 0 | 1 | 1 | 0 | 0 | 0 | 0 | 0 | 0 | 0 |
| 0 1 | 0 | 0 | 1 | 1 | 0 | 0 | 1 | 1 | 1 |
| 0 x | x | 0 | x | 1 | 0 | 0 | x | x | x |
| 0 z | x | 0 | x | 1 | 0 | 0 | x | x | x |
| 1 0 | 0 | 0 | 1 | 1 | 0 | 0 | 1 | 1 | 1 |
| 1 1 | 1 | 1 | 0 | 0 | 1 | 1 | 1 | 1 | 0 |
| 1 x | x | 0 | x | 1 | x | x | 1 | 1 | x |
| 1 z | x | 0 | x | 1 | x | x | 1 | 1 | x |
| x 0 | x | 0 | x | 1 | 0 | 0 | x | x | x |
| x 1 | x | 0 | x | 1 | x | x | 1 | 1 | x |
| x x | x | 1 | x | 0 | x | x | x | x | x |
| x z | x | 0 | x | 1 | x | x | x | x | x |
| z 0 | x | 0 | x | 1 | 0 | 0 | x | x | x |
| z 1 | x | 0 | x | 1 | x | x | 1 | 1 | x |
| z x | x | 0 | x | 1 | x | x | x | x | x |
| z z | x | 1 | x | 0 | x | x | x | x | x |

Behavioral Verilog Blocks

Block statements are used to group statements together. XST supports sequential blocks only. Within these blocks, the statements are executed in the order listed. Block statements are designated by **begin** and **end** keywords. XST does not support parallel blocks.

All procedural statements occur in blocks that are defined inside modules. The two kinds of procedural blocks are:

- Initial block
- Always block

Within each block, Verilog uses a **begin** and **end** to enclose the statements. Since initial blocks are ignored during synthesis, only **always** blocks are discussed. **Always** blocks usually take the following format:

```
always
begin
statement
....
end
```

Each statement is a procedural assignment line terminated by a semicolon.

Behavioral Verilog Modules

In Verilog, a design component is represented by a module. This section discusses Behavioral Verilog Modules, and includes:

- [Behavioral Verilog Module Declaration](#)
- [Behavioral Verilog Module Instantiation](#)

Behavioral Verilog Module Declaration

A behavioral Verilog module is declared as illustrated in the following coding examples.

Behavioral Verilog Module Declaration Coding Example One

```
module example (A, B, O);
input  A, B;
output O;

    assign O = A & B;

endmodule
```

The module declaration consists of:

- The module name
- A list of I/O ports
- The module body where you define the intended functionality

The end of the module is signalled by a mandatory endmodule statement.

The I/O ports of the circuit are declared in the module declaration. Each port is characterized by:

- A name
- A mode: input, output, or inout
- Range information if the port is of array type

Behavioral Verilog Module Declaration Coding Example Two

```
module example (
    input  A,
    input  B,
    output O
);

    assign O = A & B;

endmodule
```

Behavioral Verilog Module Instantiation

A behavioral Verilog module is instantiated in another module as follows.

Behavioral Verilog Module Instantiation Coding Example

```
module top (A, B, C, O);
input  A, B, C;
output O;
wire  tmp;

example inst_example (.A(A), .B(B), .O(tmp));

    assign O = tmp | C;

endmodule
```

A module instantiation statement defines an instance name, and contains a port association list that specifies how the instance is connected in the parent module. Each element of the list ties a formal port of the module declaration, to an actual net of the parent module.

Behavioral Verilog Continuous Assignment

Continuous assignments model combinatorial logic in a concise way. Both explicit and implicit continuous assignments are supported.

- Explicit continuous assignments start with an **assign** keyword after the net has been separately declared.

```
wire mysignal;  
...  
assign mysignal = select ? b : a;
```

- Implicit continuous assignments combine declaration and assignment.

```
wire misignal = a | b;
```

XST ignores delays and strengths given to a continuous assignment. Continuous assignments are allowed on **wire** and **tri** data types only.

Behavioral Verilog Procedural Assignments

This section discusses Behavioral Verilog Procedural Assignments, and includes:

- [About Behavioral Verilog Procedural Assignments](#)
- [Combinatorial Always Blocks](#)
- [If-Else Statements](#)
- [Case Statements](#)
- [For and Repeat Loops](#)
- [While Loops](#)
- [Sequential Always Blocks](#)
- [Assign and Deassign Statements](#)
- [Assignment Extension Past 32 Bits](#)

About Behavioral Verilog Procedural Assignments

Procedural assignments are:

- Used to assign values to variables declared as regs
- Introduced by always blocks, tasks, and functions
- Usually used to model registers and Finite State Machine (FSM) components

XST supports:

- Combinatorial functions
- Combinatorial and sequential tasks
- Combinatorial and sequential **always** blocks

Combinatorial Always Blocks

Combinatorial logic can be modeled efficiently using two forms of Verilog time control statements:

- Delay: # (pound)
- Event control: @ (at)

The delay time control statement is relevant for simulation only and is ignored by synthesis tools.

Since the # (pound) time control statement is ignored for synthesis, this discussion describes modelling combinatorial logic with the @ (at) time control statement.

A combinatorial **always** block has a sensitivity list appearing within parentheses after **always@**.

An **always** block is activated if an event (value change or edge) appears on one of the sensitivity list signals. This sensitivity list can contain any signal that appears in conditions (**if** or **case**, for example), and any signal appearing on the right hand side of an assignment. By substituting an @ (at) without parentheses for a list of signals, the **always** block is activated for an event in any of the **always** block's signals as described above.

In combinatorial processes, if a signal is not explicitly assigned in all branches of **if** or **case** statements, XST generates a latch to hold the last value. To the creation of latches, make sure that all assigned signals in a combinatorial process are always explicitly assigned in all paths of the process statements.

The following statements can be used in a process:

- Variable and signal assignments
- **if-else** statements
- **case** statements
- **for-while** loop statements
- Function and task calls

If-Else Statements

If-else statements use **true-false** conditions to execute statements.

- If the expression evaluates to **true**, the first statement is executed.
- If the expression evaluates to **false**, **x** or **z**, the **else** statement is executed.

A block of multiple statements can be executed using **begin** and **end** keywords. **If-else** statements can be nested.

If-Else Statement Coding Example

The following coding example shows how a multiplexer can be described using an **if-else** statement:

```
module mux4 (sel, a, b, c, d, outmux);
    input [1:0] sel;
    input [1:0] a, b, c, d;
    output [1:0] outmux;
    reg [1:0] outmux;

    always @(sel or a or b or c or d)
    begin
        if (sel[1])
            if (sel[0])
                outmux = d;
            else
                outmux = c;
        else
            if (sel[0])
                outmux = b;
            else
                outmux = a;
    end
endmodule
```

Case Statements

Case statements perform a comparison to an expression to evaluate one of a number of parallel branches. The **case** statement evaluates the branches in the order they are written. The first branch that evaluates to **true** is executed. If none of the branches matches, the default branch is executed.

- Do not use unsized integers in case statements. Always size integers to a specific number of bits, or results can be unpredictable.
- **Casez** treats all **z** values in any bit position of the branch alternative as a **don't care**.
- **Casex** treats all **x** and **z** values in any bit position of the branch alternative as a **don't care**.
- The question mark (?) can be used as a **don't care** in either the **casez** or **casex** case statements

Case Statement Coding Example

The following coding example shows how a multiplexer can be described using a case statement.

```
module mux4 (sel, a, b, c, d, outmux);
  input [1:0] sel;
  input [1:0] a, b, c, d;
  output [1:0] outmux;
  reg [1:0] outmux;

  always @(sel or a or b or c or d)
  begin
    case (sel)
      2'b00: outmux = a;
      2'b01: outmux = b;
      2'b10: outmux = c;
      default: outmux = d;
    endcase
  end
endmodule
```

The preceding **case** statement evaluates the values of input **sel** in priority order. To avoid priority processing, Xilinx® recommends that you use a **parallel-case** Verilog attribute to ensure parallel evaluation of the sel inputs.

Replace the **case** statement above with:

```
(* parallel_case *) case(sel)
```

For and Repeat Loops

When using **always** blocks, repetitive or bit slice structures can also be described using the **for** statement or the **repeat** statement.

The **for** statement is supported for:

- Constant bounds
- Stop test condition using the following operators:
 - <
 - <=
 - >
 - >=
- Next step computation falling in one of the following specifications:
 - **var = var + step**
 - **var = var - step**

where

 - **var** is the loop variable
 - **step** is a constant value

The **repeat** statement is supported for constant values only.

Disable statements are not supported.

```

module countzeros (a, Count);
  input [7:0] a;
  output [2:0] Count;
  reg [2:0] Count;
  reg [2:0] Count_Aux;

  integer i;

  always @(a)
  begin
    Count_Aux = 3'b0;
    for (i = 0; i < 8; i = i+1)
    begin
      if (!a[i])
        Count_Aux = Count_Aux+1;
    end
    Count = Count_Aux;
  end
endmodule

```

While Loops

When using **always** blocks, use the **while** statement to execute repetitive procedures. A while loop executes other statements until its test expression becomes **false**. It is not executed if the test expression is initially **false**.

- The test expression is any valid Verilog expression.
- To prevent endless loops, use the **-loop_iteration_limit** option.
- **While** loops can have **disable** statements. The **disable** statement is used inside a labeled block, since the syntax is:

disable <blockname>

```

parameter P = 4;
always @(ID_complete)
begin : UNIDENTIFIED
  integer i;
  reg found;
  unidentified = 0;
  i = 0;
  found = 0;
  while (!found && (i < P))
  begin
    found = !ID_complete[i];
    unidentified[i] = !ID_complete[i];
    i = i + 1;
  end
end
end

```

Sequential Always Blocks

Describe a sequential circuit with an **always** blocks and a sensitivity list that contains the following edge-triggered (with **posedge** or **negedge**) events:

- A mandatory clock event
- Optional set/reset events (modelling asynchronous set/reset control logic)

If no optional asynchronous signal is described, the **always** block is structured as follows:

```

always @(posedge CLK)
begin
  <synchronous_part>
end

```

If optional asynchronous control signals are modelled, the `always` block is instead structured as follows:

```
always @(posedge CLK or posedge ACTRL1 or à )
begin
    if (ACTRL1)
        <$asynchronous part>
    else
        <$synchronous_part>
end
```

Sequential Always Block Coding Example One

The following example describes an 8-bit register with a rising-edge clock. There are no other control signals.

```
module seq1 (DI, CLK, DO);
    input [7:0] DI;
    input CLK;
    output [7:0] DO;
    reg [7:0] DO;

    always @(posedge CLK)
        DO <= DI ;
endmodule
```

Sequential Always Block Coding Example Two

The following example adds an active-high asynchronous reset.

```
module EXAMPLE (DI, CLK, ARST, DO);
    input [7:0] DI;
    input CLK, ARST;
    output [7:0] DO;
    reg [7:0] DO;

    always @(posedge CLK or posedge ARST)
        if (ARST == 1'b1)
            DO <= 8'b00000000;
        else
            DO <= DI;
endmodule
```

Sequential Always Block Coding Example Three

The following example shows an active-high asynchronous reset, an active-low asynchronous set.

```
module EXAMPLE (DI, CLK, ARST, ASET, DO);
    input [7:0] DI;
    input CLK, ARST, ASET;
    output [7:0] DO;
    reg [7:0] DO;

    always @(posedge CLK or posedge ARST or negedge ASET)
        if (ARST == 1'b1)
            DO <= 8'b00000000;
        else if (ASET == 1'b1)
            DO <= 8'b11111111;
        else
            DO <= DI;
endmodule
```

Sequential Always Block Coding Example Four

The following example describes a register with no asynchronous set/reset, but with a synchronous reset.

```
module EXAMPLE (DI, CLK, SRST, DO);
    input [7:0] DI;
    input CLK, SRST;
    output [7:0] DO;
    reg [7:0] DO;

    always @(posedge CLK)
        if (SRST == 1'b1)
            DO <= 8'b00000000;
        else
            DO <= DI;
endmodule
```

Assign and Deassign Statements

Assign and deassign statements are not supported.

Assignment Extension Past 32 Bits

If the expression on the left-hand side of an assignment is wider than the expression on the right-hand side, the left-hand side is padded to the left according to the following rules:

- If the right-hand side expression is signed, the left-hand side expression is padded with the sign bit.
- If the right-hand expression is unsigned, the left-hand expression is padded with 0s (zeroes).
- For unsized **x** or **z** constants only, the following rule applies. If the value of the right-hand expression's left-most bit is **z** (high impedance) or **x** (unknown), regardless of whether the right-hand expression is signed or unsigned, the left-hand expression is padded with that value (**z** or **x**, respectively).

These rules follow the Verilog-2001 standard. They are not backwardly compatible with Verilog-1995.

Behavioral Verilog Tasks and Functions

This section discusses Behavioral Verilog Tasks and Functions, and includes:

- [About Behavioral Verilog Tasks and Functions](#)
- [Behavioral Verilog Tasks and Functions Coding Examples](#)
- [Behavioral Verilog Recursive Tasks and Functions](#)
- [Behavioral Verilog Constant Functions](#)

About Behavioral Verilog Tasks and Functions

When the same code is to be used multiple times across a design, using tasks and functions reduces the amount of code and facilitates maintenance.

Tasks and functions must be declared and used in a module. The heading part contains the parameters:

- Input parameters (only) for functions
- Input/output/inout parameters for tasks

The return value of a function can be declared either signed or unsigned. The contents is similar to the combinatorial always block contents.

Behavioral Verilog Tasks and Functions Coding Examples

This section discusses Behavioral Verilog Tasks and Functions Coding Examples, and includes:

- Behavioral Verilog Tasks and Functions Coding Example One
- Behavioral Verilog Tasks and Functions Coding Example Two

Behavioral Verilog Tasks and Functions Coding Example One

In the following example, an **ADD** function describing a 1-bit adder is declared and invoked four times, with the proper parameters in the architecture, to create a 4-bit adder.

```
module functions_1 (A, B, CIN, S, COUT);
    input [3:0] A, B;
    input CIN;
    output [3:0] S;
    output COUT;
    wire [1:0] S0, S1, S2, S3;

    function signed [1:0] ADD;
        input A, B, CIN;
        reg S, COUT;
        begin
            S = A ^ B ^ CIN;
            COUT = (A&B) | (A&CIN) | (B&CIN);
            ADD = {COUT, S};
        end
    endfunction

    assign S0 = ADD (A[0], B[0], CIN),
           S1 = ADD (A[1], B[1], S0[1]),
           S2 = ADD (A[2], B[2], S1[1]),
           S3 = ADD (A[3], B[3], S2[1]),
           S = {S3[0], S2[0], S1[0], S0[0]},
           COUT = S3[1];

endmodule
```

Behavioral Verilog Tasks and Functions Coding Example Two

In the following coding example, the same functionality is described with a task.

```

module tasks_1 (A, B, CIN, S, COUT);
    input [3:0] A, B;
    input CIN;
    output [3:0] S;
    output COUT;
    reg [3:0] S;
    reg COUT;
    reg [1:0] S0, S1, S2, S3;

    task ADD;
        input A, B, CIN;
        output [1:0] C;
        reg [1:0] C;
        reg S, COUT;
        begin
            S = A ^ B ^ CIN;
            COUT = (A&B) | (A&CIN) | (B&CIN);
            C = {COUT, S};
        end
    endtask

    always @(A or B or CIN)
    begin
        ADD (A[0], B[0], CIN, S0);
        ADD (A[1], B[1], S0[1], S1);
        ADD (A[2], B[2], S1[1], S2);
        ADD (A[3], B[3], S2[1], S3);
        S = {S3[0], S2[0], S1[0], S0[0]};
        COUT = S3[1];
    end
endmodule

```

Behavioral Verilog Recursive Tasks and Functions

Verilog-2001 supports recursive tasks and functions. You can use recursion only with the automatic keyword. To prevent endless recursive calls, the number of recursions is limited by default to 64. Use `-recursion_iteration_limit` to control the number of allowed recursive calls.

Behavioral Verilog Recursive Tasks and Functions Coding Example

```

function automatic [31:0] fac;
    input [15:0] n;
    if (n == 1)
        fac = 1;
    else
        fac = n * fac(n-1); //recursive function call
endfunction

```

Behavioral Verilog Constant Functions

XST supports function calls to calculate constant values.

Behavioral Verilog Constant Functions Coding Example

```

module functions_constant (clk, we, a, di, do);
  parameter ADDRWIDTH = 8;
  parameter DATAWIDTH = 4;
  input clk;
  input we;
  input [ADDRWIDTH-1:0] a;
  input [DATAWIDTH-1:0] di;
  output [DATAWIDTH-1:0] do;

  function integer getSize;
    input addrwidth;
    begin
      getSize = 2**addrwidth;
    end
  endfunction

  reg [DATAWIDTH-1:0] ram [getSize(ADDRWIDTH)-1:0];

  always @(posedge clk) begin
    if (we)
      ram[a] <= di;
  end
  assign do = ram[a];
endmodule

```

Behavioral Verilog Blocking Versus Non-Blocking Procedural Assignments

The pound (#) and at sign (@) time control statements delay execution of the statement following them until the specified event is evaluated as **true**. Blocking and non-blocking procedural assignments have time control built into their respective assignment statement. The pound (#) delay is ignored for synthesis.

Behavioral Verilog Blocking Procedural Assignment Syntax Coding Example One

```

reg a;
a = #10 (b | c);

```

Behavioral Verilog Blocking Procedural Assignment Syntax Coding Example Two (Alternate)

```

if (in1) out = 1'b0;
else out = in2;

```

As the name implies, these types of assignments block the current process from continuing to execute additional statements at the same time. These should mainly be used in simulation.

Non-blocking assignments, on the other hand, evaluate the expression when the statement executes, but allow other statements in the same process to execute as well at the same time. The variable change occurs only after the specified delay.

Behavioral Verilog Non-Blocking Procedural Assignment Syntax Coding Example One

```

variable <= @(posedge_or_negedge_bit) expression;

```

Behavioral Verilog Non-Blocking Procedural Assignment Coding Example Two

The following example shows how to use a non-blocking procedural assignment.

```

if (in1) out <= 1'b1;
else out <= in2;

```

Behavioral Verilog Constants

Constants in Verilog are assumed to be decimal integers. To specify constants explicitly in binary, octal, decimal, or hexadecimal, prefix them with the appropriate syntax. For example, the following constant expressions represent the same value:

- 4'b1010
- 4'o12
- 4'd10
- 4'ha

Behavioral Verilog Macros

Verilog defines macros as follows:

```
'define TESTEQ1 4'b1101
```

The defined macro is referenced later in the design code as follows:

```
if (request == 'TESTEQ1)
```

Behavioral Verilog Macros Coding Example One

```
'define myzero 0  
assign mysig = 'myzero;
```

The Verilog **'ifdef** and **'endif** constructs determine whether or not a macro is defined. These constructs are used to define conditional compilation. If the macro called out by the **'ifdef** command has been defined, that code is compiled. If not, the code following the **'else** command is compiled. The **'else** is not required, but **'endif** must complete the conditional statement.

Behavioral Verilog Macros Coding Example Two

```
'ifdef MYVAR  
module if_MYVAR_is_declared;  
...  
endmodule  
'else  
module if_MYVAR_is_not_declared;  
...  
endmodule  
'endif
```

Use [Verilog Macros \(-define\)](#) to define (or redefine) Verilog macros. This allows you to modify the design configuration without modifying the source code. This feature is useful for such processes as IP core generation and flow testing.

Behavioral Verilog Include Files

Verilog allows you to separate HDL source code into more than one file. To reference the code contained in another file, use the following syntax in the current file:

```
'include "path/file-to-be-included "
```

The path can be relative or absolute.

Multiple **'include** statements are allowed in the same Verilog file. This feature makes your code more manageable in a team design environment where different files describe different modules of the design.

To enable the file in your `'include` statement to be recognized, identify the directory where it resides, either to ISE® Design Suite or to XST.

- Since ISE Design Suite searches the project directory by default, adding the file to your project directory identifies the file to ISE Design Suite.
- To direct ISE Design Suite to a different directory, include a path (relative or absolute) in the `'include` statement in the HDL source code.
- To point XST directly to your include file directory, use [Verilog Include Directories \(-vlgindir\)](#)
- If the include file is required for ISE Design Suite to construct the design hierarchy, this file must either reside in the project directory, or be referenced by a relative or absolute path. The file need not be added to the project.

The XST design project file provides another way to make a Verilog file contents visible to the rest of your project. Xilinx® recommends the XST design project file method. If you use the file inclusion technique, be aware of a potential conflict. Do not include a Verilog file with the mechanism described here, and, at the same time, list that file in your XST design project file. Doing so results in an error as follows:

```
ERROR:HDLCompiler:687 - "include_sub.v" Line 1: Illegal redeclaration of module <sub>.
```

You may encounter this error if you add Verilog files with such inclusions to an ISE Design Suite project. Because ISE Design Suite adds them to the XST design project file, a multiple-definition conflict can result.

Behavioral Verilog Comments

XST supports both forms of Behavioral Verilog comments:

- One-line comments, starting with a double forward slash (`//`)

```
// This is a one-line comment
```
- Multiple-line block comments, starting with `/*` and ending with `*/`

```
/* This is a
   Multiple-line
   comment
*/
```

Behavioral Verilog comments are similar to those used in such languages as C++.

Behavioral Verilog Generate Statements

This section discusses Behavioral Verilog Generate Statements, and includes:

- [About Behavioral Verilog Generate Statements](#)
- [Behavioral Verilog Generate Loop Statements](#)
- [Behavioral Verilog Generate Conditional Statements](#)
- [Generate Case Statements](#)

About Behavioral Verilog Generate Statements

Verilog **generate** statements allow you to create parameterized and scalable code. The contents of a **generate** statement is conditionally instantiated into your design. **Generate** statements are resolved during Verilog elaboration

Generate statements are a powerful way to create repetitive or scalable structures, or to create functionality conditional to a particular criteria being met. Structures likely to be created using a **generate** statement are:

- Primitive or module instances
- Initial or always procedural blocks
- Continuous assignments
- Net and variable declarations
- Parameter redefinitions
- Task or function definitions

Describe **generate** statements within a module scope. They start with a **generate** keyword, and end with an **endgenerate** keyword.

XST supports all three forms of Verilog generate statements:

- **generate-loop** (**generate-for**)
- **generate-conditional** (**generate-if-else**)
- **generate-case** (**generate-case**)

Behavioral Verilog Generate Loop Statements

Use a **generate-for** loop to create one or more instances that can be placed inside a module. Use the **generate-for** loop the same way you would use a normal Verilog **for** loop, with the following limitations:

- The index for a **generate-for** loop has a *genvar* variable.
- The assignments in the **for** loop control refers to the *genvar* variable.
- The contents of the **for** loop are enclosed by **begin** and **end** statements. The **begin** statement is named with a unique qualifier.

Behavioral Verilog Generate Loop Statement 8-Bit Adder Coding Example

```
generate
genvar i;
  for (i=0; i<=7; i=i+1)
    begin : for_name
      adder add (a[8*i+7 : 8*i], b[8*i+7 : 8*i], ci[i], sum_for[8*i+7 : 8*i], c0_or[i+1]);
    end
endgenerate
```

Behavioral Verilog Generate Conditional Statements

Use a **generate-if-else** statement to conditionally control which objects are generated.

- The contents of each branch of the **if-else** statement are enclosed by **begin** and **end** statements.
- The **begin** statement is named with a unique qualifier.

Behavioral Verilog Generate Conditional Statement Coding Example

The following example instantiates two different implementations of a multiplier based on the width of data words.

```
generate
  if (IF_WIDTH < 10)
    begin : if_name
      multiplier_imp1 # (IF_WIDTH) u1 (a, b, sum_if);
    end
  else
    begin : else_name
      multiplier_imp2 # (IF_WIDTH) u2 (a, b, sum_if);
    end
endgenerate
```

Behavioral Verilog Generate Case Statements

Use a **generate-case** statement to conditionally control which objects are generated under different conditions.

- Each branch in a **generate-case** is enclosed by **begin** and **end** statements.
- The **begin** statement is named with a unique qualifier.

Behavioral Verilog Generate Case Statements Coding Example

The following coding example instantiates more than two different implementations of an adder based on the width of data words.

```
generate
  case (WIDTH)
    1:
      begin : case1_name
        adder #(WIDTH*8) x1 (a, b, ci, sum_case, c0_case);
      end
    2:
      begin : case2_name
        adder #(WIDTH*4) x2 (a, b, ci, sum_case, c0_case);
      end
    default:
      begin : d_case_name
        adder x3 (a, b, ci, sum_case, c0_case);
      end
  endcase
endgenerate
```


XST Mixed Language Support

Note The *XST User Guide for Virtex-6 and Spartan-6 Devices* applies to Xilinx® Virtex®-6 and Spartan®-6 devices only. For information on using XST with other devices, see the *XST User Guide*.

This chapter discusses XST Mixed Language Support, and includes:

- [About XST Mixed Language Support](#)
- [VHDL and Verilog Boundary Rules](#)
- [Port Mapping](#)
- [Generics Support](#)
- [Library Search Order \(LSO\) Files](#)

About XST Mixed Language Support

XST supports mixed VHDL and Verilog projects.

- Mixing VHDL and Verilog is restricted to design unit (cell) instantiation only.
- A Verilog module can be instantiated from VHDL code.
- A VHDL entity can be instantiated from Verilog code.
- No other mixing between VHDL and Verilog is supported. For example, you cannot embed Verilog source code directly in VHDL code.
- In a VHDL design, a restricted subset of VHDL types, generics, and ports is allowed on the boundary to a Verilog module.
- In a Verilog design, a restricted subset of Verilog types, parameters, and ports is allowed on the boundary to a VHDL entity or configuration.
- XST binds VHDL design units to a Verilog module during HDL Elaboration.
- Component instantiation based on default binding is used for binding Verilog modules to a VHDL design unit.
- Configuration specification, direct instantiation and component configurations are not supported for a Verilog module instantiation in VHDL.
- VHDL and Verilog files making up your project are specified in a unique XST HDL project file. For more information on how to specify an XST HDL project, see [Chapter 2, Creating and Synthesizing an XST Project](#).
- VHDL and Verilog libraries are logically unified.
- The default work directory for compilation (xsthdpdir) is available for both VHDL and Verilog.
- The `xhdp.ini` mechanism for mapping a logical library name to a physical directory name on the host file system, is available for both VHDL and Verilog.
- Mixed language projects accept a search order used for searching unified logical libraries in design units (cells). During Elaboration, XST follows this search order for picking and binding a VHDL entity or a Verilog module to the mixed language project.

VHDL and Verilog Boundary Rules

This section discusses VHDL and Verilog Boundary Rules, and includes:

- [About VHDL and Verilog Boundary Rules](#)
- [Instantiating a Verilog Module in VHDL](#)
- [Instantiating a VHDL Design Unit in a Verilog Design](#)

About VHDL and Verilog Boundary Rules

The boundary between VHDL and Verilog is enforced at the design unit level. A VHDL entity or architecture can instantiate a Verilog module. A Verilog module can instantiate a VHDL entity.

Instantiating a VHDL Design Unit in a Verilog Design

To instantiate a VHDL entity:

1. Declare a module name with the same as name as the VHDL entity that you want to instantiate (optionally followed by an architecture name).
2. Perform a normal Verilog instantiation

The only VHDL construct that can be instantiated in a Verilog design is a VHDL entity. No other VHDL constructs are visible to Verilog code. When you do so, XST uses the entity-architecture pair as the Verilog-VHDL boundary.

XST performs the binding during elaboration. During binding, XST searches for a Verilog module name using the name of the instantiated module in the user-specified list of unified logical libraries in the user-specified order. XST ignores any architecture name specified in the module instantiation. For more information, see [Library Search Order \(LSO\) Files](#).

If found, XST binds the name. If XST cannot find a Verilog module, it treats the name of the instantiated module as a VHDL entity, and searches for it using a case sensitive search for a VHDL entity. XST searches for the VHDL entity in the user-specified list of unified logical libraries in the user-specified order, assuming that a VHDL design unit was stored with extended identifier. For more information, see [Library Search Order \(LSO\) Files](#). If found, XST binds the name. XST selects the first VHDL entity matching the name, and binds it.

XST has the following limitations when instantiating a VHDL design unit from a Verilog module:

- Use explicit port association. Specify formal and effective port names in the port map.
- All parameters are passed at instantiation, even if they are unchanged.
- The parameter override is named and not ordered. The parameter override occurs through instantiation, and not through defparams.

Accepted Coding Example

XST DOES accept the following coding example.

```
ff #(.init(2'b01)) u1 (.sel(sel), .din(din), .dout(dout));
```

NOT Accepted Coding Example

XST DOES NOT accept the following coding example.

```
ff u1 (.sel(sel), .din(din), .dout(dout));  
defparam u1.init = 2'b01;
```

Instantiating a Verilog Module in VHDL

To instantiate a Verilog module in your VHDL design:

1. Declare a VHDL component with the same name (observing case sensitivity) as the Verilog module you want to instantiate. If the Verilog module name is not all lower case, use the case property to preserve the case of your Verilog module.
 - ISE® Design Suite
Select Process > Properties > Synthesis Options > Case > Maintain
 - Command Line
Set **-case** to **maintain**
2. Instantiate your Verilog component as if you were instantiating a VHDL component.

Using a VHDL configuration declaration, you could attempt to bind this component to a particular design unit from a particular library. Such binding is not supported. Only default Verilog module binding is supported.

The only Verilog construct that can be instantiated in a VHDL design is a Verilog module. No other Verilog constructs are visible to VHDL code.

- During *elaboration*, all components subject to default binding are regarded as design units with the same name as the corresponding component name.
- During *binding*, XST treats a component name as a VHDL design unit name and searches for it in the logical library work.
 - If XST finds a VHDL design unit, XST binds it.
 - If XST cannot find a VHDL design unit, it treats the component name as a Verilog module name, and searches for it using a case sensitive search.

XST searches for the Verilog module in the user-specified list of unified logical libraries in the user-specified search order. For more information, see [Library Search Order \(LSO\) Files](#). XST selects the first Verilog module matching the name, and binds it.

Since libraries are unified, a Verilog cell having the same name as that of a VHDL design unit cannot co-exist in the same logical library. A newly compiled cell or unit overrides a previously compiled cell or unit.

Port Mapping

This section discusses Port Mapping, and includes:

- [VHDL Instantiated in Verilog](#)
- [Verilog Instantiated in VHDL](#)

VHDL Instantiated in Verilog

When a VHDL entity is instantiated in a Verilog module, formal ports may have the following characteristics:

- Allowed directions
 - `in`
 - `out`
 - `inout`
- Unsupported directions
 - `buffer`
 - `linkage`
- Allowed data types
 - `bit`
 - `bit_vector`
 - `std_logic`
 - `std_ulogic`
 - `std_logic_vector`
 - `std_ulogic_vector`

Verilog Instantiated in VHDL

When a Verilog module is instantiated in a VHDL entity or architecture, formal ports may have the following characteristics:

- Allowed directions
 - `input`
 - `output`
 - `inout`
- XST does not support connection to bi-directional pass options in Verilog
- XST does not support unnamed Verilog ports for mixed language boundaries
- Allowed data types
 - `wire`
 - `reg`

Use an equivalent component declaration for connecting to a case sensitive port in a Verilog module. XST assumes Verilog ports are in all lower case.

Generics Support

XST supports the following VHDL generic types, and their Verilog equivalents for mixed language designs:

- `integer`
- `real`
- `string`
- `boolean`

Library Search Order (LSO) Files

This section discusses Library Search Order (LSO) files, and includes:

- [About Library Search Order \(LSO\) Files](#)
- [Specifying Library Search Order \(LSO\) Files in ISE® Design Suite](#)
- [Specifying Library Search Order \(LSO\) Files in Command Line Mode](#)
- [Library Search Order \(LSO\) Rules](#)

About Library Search Order (LSO) Files

The Library Search Order (LSO) file specifies the search order that XST uses to link the libraries used in VHDL and Verilog mixed language designs. XST searches the files specified in the project file in the order in which they appear in that file.

XST uses the default search order when:

- The `DEFAULT_SEARCH_ORDER` keyword is used in the LSO file, or
- The LSO file is not specified

Specifying Library Search Order (LSO) Files in ISE Design Suite

In ISE® Design Suite, the default name for the Library Search Order (LSO) file is `project_name.lso`. If a `project_name.lso` file does not exist, ISE Design Suite creates one. If ISE Design Suite detects an existing `project_name.lso` file, this file is preserved and used as is. The name of the project is the name of the top-level block. When creating a default LSO file, ISE Design Suite places the `DEFAULT_SEARCH_ORDER` keyword in the first line of the file.

Specifying Library Search Order (LSO) Files in Command Line Mode

The Library Search Order (LSO) (`-lso`) option specifies the Library Search Order (LSO) file when using XST from the command line. If the `-lso` option is omitted, XST automatically uses the default library search order without using an LSO file.

Library Search Order (LSO) Rules

When processing a mixed language project, XST obeys the following search order rules, depending on the contents of the Library Search Order (LSO) file:

- [Empty Library Search Order \(LSO\) File](#)
- [DEFAULT_SEARCH_ORDER Keyword Only](#)
- [DEFAULT_SEARCH_ORDER Keyword and List of Libraries](#)
- [List of Libraries Only](#)
- [DEFAULT_SEARCH_ORDER Keyword and Non-Existent Library Name](#)

Empty Library Search Order (LSO) Files

When the Library Search Order (LSO) file is empty, XST:

- Issues a warning stating that the LSO file is empty
- Searches the files specified in the project file using the default library search order
- Updates the LSO file by adding the list of libraries in the order that they appear in the project file

DEFAULT_SEARCH_ORDER Keyword Only

When the Library Search Order (LSO) file contains only the **DEFAULT_SEARCH_ORDER** keyword, XST:

- Searches the specified library files in the order in which they appear in the project file
- Updates the LSO file by:
 - Removing the **DEFAULT_SEARCH_ORDER** keyword
 - Adding the list of libraries to the LSO file in the order in which they appear in the project file

For a project file, `my_proj.prj`, with the following contents:

```
vhdl      vllib1    f1.vhd
verilog   rtfllib    f1.v
vhdl      vllib2    f3.vhd
```

and an LSO file, `my_proj.lso`, created by ISE® Design Suite, with the following contents:

```
DEFAULT_SEARCH_ORDER
```

XST uses the following search order. The same contents appear in the updated `my_proj.lso` file after processing.

```
vllib1
rtfllib
vllib2
```

DEFAULT_SEARCH_ORDER Keyword and List of Libraries

When the Library Search Order (LSO) file contains the **DEFAULT_SEARCH_ORDER** keyword, and a list of libraries, XST:

- Searches the specified library files in the order in which they appear in the project file
- Ignores the list of library files in the LSO file
- Leaves the LSO file unchanged

For a project file `my_proj.prj` with the following contents:

```
vhdl      vllib1    f1.vhd
verilog   rtfllib    f1.v
vhdl      vllib2    f3.vhd
```

and an LSO file `my_proj.lso` with the following contents:

```
rtfllib
vllib2
vllib1
DEFAULT_SEARCH_ORDER
```

XST uses the following search order:

```
vllib1
rtfllib
vllib2
```

After processing, the contents of `my_proj.lso` remains unchanged:

```
rtfllib
vllib2
vllib1
DEFAULT_SEARCH_ORDER
```

List of Libraries Only

When the Library Search Order (LSO) file contains a list of the libraries without the **DEFAULT_SEARCH_ORDER** keyword, XST:

- Searches the library files in the order in which they appear in the LSO file
- Leaves the LSO file unchanged

For a project file `my_proj.prj` with the following contents:

```
vhdl vllib1 f1.vhd
verilog rtfllib f1.v
vhdl vllib2 f3.vhd
```

and an LSO file `my_proj.lso` with the following contents:

```
rtfllib
vllib2
vllib1
```

XST uses the following search order:

```
rtfllib
vllib2
vllib1
```

After processing, the contents of `my_proj.lso` is:

```
rtfllib
vllib2
vllib1
```

DEFAULT_SEARCH_ORDER Keyword and Non-Existent Library Name

When the Library Search Order (LSO) file contains a library name that does not exist in the project or INI file, and the LSO file does not contain the **DEFAULT_SEARCH_ORDER** keyword, XST ignores the library.

For a project file `my_proj.prj` with the following contents:

```
vhdl vllib1 f1.vhd
verilog rtfllib f1.v
vhdl vllib2 f3.vhd
```

and an LSO file `my_proj.lso` created with the following contents:

```
personal_lib
rtfllib
vllib2
vllib1
```

XST uses the following search order:

```
rtfllib
vllib2
vllib1
```

After processing, the contents of `my_proj.lso` is:

```
rtfllib
vllib2
vllib1
```


XST HDL Coding Techniques

Note The *XST User Guide for Virtex-6 and Spartan-6 Devices* applies to Xilinx® Virtex®-6 and Spartan®-6 devices only. For information on using XST with other devices, see the *XST User Guide*.

This chapter discusses XST HDL Coding Techniques, and includes:

- [About XST HDL Coding Techniques](#)
- [Choosing a Description Language](#)
- [Macro Inference Flow Overview](#)
- [Flip-Flops and Registers](#)
- [Latches](#)
- [Tristates](#)
- [Counters and Accumulators](#)
- [Shift Registers](#)
- [Dynamic Shift Registers](#)
- [Multiplexers](#)
- [Arithmetic Operators](#)
- [Comparators](#)
- [Dividers](#)
- [Adders, Subtractors, and Adders/Subtractors](#)
- [Multipliers](#)
- [Multiply-Add and Multiply-Accumulate](#)
- [Extended DSP Inferencing](#)
- [Resource Sharing](#)
- [RAMs](#)
- [ROMs](#)
- [Finite State Machine \(FSM\) Components](#)
- [Black Boxes](#)

About XST HDL Coding Techniques

HDL coding techniques allow you to:

- Describe the most common functionalities found in digital logic circuits
- Take advantage of the architectural features of Virtex®-6 and Spartan®-6 devices

Most sections of this chapter include:

- A general description of the functionality
- Guidelines to model the functionality in the HDL source code
- Information on how XST implements the functionality on Virtex-6 and Spartan-6 devices. For more information, see [Chapter 8, XST FPGA Optimization](#).
- A list of constraints to control how XST processes such functionality
- Reporting examples
- VHDL and Verilog coding examples

For information on accessing the synthesis templates from ISE® Design Suite, see the ISE Design Suite Help.

Coding examples are accurate as of the date of publication. Download updates and other examples from ftp://ftp.xilinx.com/pub/documentation/misc/xstug_examples.zip. Each directory contains a `summary.txt` file listing all examples together with a brief overview.

Choosing a Description Language

The following table shows the relative advantages and disadvantages of VHDL and Verilog.

Comparative Advantages and Disadvantages of VHDL and Verilog

| VHDL | Verilog |
|--|--|
| Enforces stricter rules, in particular strongly typed, less permissive and error-prone | Extension to System Verilog (currently not supported by XST) |
| Initialization of RAMs in the HDL source code is easier (Verilog initial blocks are less convenient) | C-like syntax |
| Package support | Results in more compact code |
| Custom types | Block commenting |
| Enumerated types | No heavy component instantiation as in VHDL |
| No reg versus wire confusion | |

Macro Inference Flow Overview

Macro inferences can occur at three stages of the XST synthesis flow:

- Basic macros are inferred during HDL Synthesis.
- Complex macros are inferred during Advanced HDL Synthesis.
- Some macros can be inferred at an even later stage, during Low-Level Optimizations, when timing information is available to make better-informed decisions.

Macros inferred during Advanced HDL Synthesis are usually the result of an aggregation of several basic macros previously inferred during HDL Synthesis. In most cases, the XST inference engine can perform this grouping regardless of hierarchical boundaries, unless [Keep Hierarchy \(KEEP_HIERARCHY\)](#) has been set to **yes** in order to prevent it.

For example, a block RAM can be inferred by combining RAM core functionality described in one user-defined hierarchical block, with a register described in a different user-defined hierarchy. This allows you to structure the HDL project in a modular way, ensuring that XST can recognize relationships among design elements described in different VHDL entities and Verilog modules.

Do not describe every basic bit-level element in its own separate hierarchy. Doing so may prevent you from leveraging the RTL inference capabilities of the synthesis tool. See the design projects in [Extended DSP Inferencing](#) for ideas on how to structure the HDL source code.

Flip-Flops and Registers

This section discusses HDL Coding Techniques for Flip-Flops and Registers, and includes:

- [About Flip-Flops and Registers](#)
- [Flip-Flops and Registers Initialization](#)
- [Flip-Flops and Registers Control Signals](#)
- [Flip-Flops and Registers Related Constraints](#)
- [Flip-Flops and Registers Reporting](#)
- [Flip-Flops and Registers Coding Examples](#)

About Flip-Flops and Registers

XST recognizes flip-flops and registers with the following control signals:

- Rising or falling-edge clocks
- Asynchronous Set/Reset
- Synchronous Set/Reset
- Clock Enable

Flip-flops and registers are described with a VHDL sequential process, or with a Verilog **always** block.

For more information on describing sequential logic in HDL, see:

- [Chapter 3, XST VHDL Language Support](#)
- [Chapter 4, XST Verilog Support](#)

The **process** or **always** block sensitivity list should list the clock signal and all asynchronous control signals.

Flip-Flops and Registers Initialization

To initialize the contents of a register at circuit power-up, specify a default value for the signal modelling it.

To do so in VHDL, declare a signal such as:

```
signal example1 : std_logic := '1';
signal example2 : std_logic_vector(3 downto 0) := (others => '0');
signal example3 : std_logic_vector(3 downto 0) := "1101";
```

In Verilog, initial contents is described as follows:

```
reg example1 = 'b1 ;
reg [15:0] example2 = 16'b1111111011011100;
reg [15:0] example3 = 16'hFEDC;
```

The synthesized flip-flops are initialized to the specified value on the target device upon activation of the circuit global reset at circuit power-up.

Flip-Flops and Registers Control Signals

Control signals include:

- Clocks
- Asynchronous and synchronous set and reset signals
- Clock enable

Observe the coding guidelines below to:

- Minimize slice logic utilization
- Maximize circuit performance
- Utilize device resources such as block RAMs and DSP blocks

The coding guidelines are:

- Do not set or reset registers asynchronously. Use synchronous initialization. Although possible on Xilinx® devices, Xilinx does not recommend this practice for the following reasons:
 - Control set remapping is made impossible
 - Sequential functionality in device resources such as block RAMs and DSP blocks can only be set or reset synchronously. You will either be unable to leverage those resources, or they will be configured sub-optimally.
- If your coding guidelines require registers to be set or reset asynchronously, try running XST with [Asynchronous to Synchronous \(ASYNC_TO_SYNC\)](#). This allows you to assess the benefits of a synchronous set/reset approach.
- Do not describe flip-flops with both a set and a reset. Starting with the Virtex®-6 and Spartan®-6 devices, none of the available flip-flop primitives features both a set and a reset, whether synchronous or asynchronous. If not rejected by the software, such combinations can lead to implementations that can adversely affect area and performance.
- XST rejects flip-flops described with both an asynchronous reset and an asynchronous set, rather than retargeting them to a costly equivalent model.
- Whenever possible, avoid operational set/reset logic altogether. There may be other, less expensive, ways to achieve the desired effect, such as taking advantage of the circuit global reset by defining an initial contents.
- The clock enable, set and reset control inputs of Xilinx flip-flop primitives are always active high. If described to be active low, such functionality inevitably leads to inverter logic that penalizes the performance of the circuit.

Flip-Flops and Registers Related Constraints

- [Pack I/O Registers Into IOBs \(IOB\)](#)
- [Register Duplication \(REGISTER_DUPLICATION\)](#)
- [Equivalent Register Removal \(EQUIVALENT_REGISTER_REMOVAL\)](#)
- [Register Balancing \(REGISTER_BALANCING\)](#)
- [Asynchronous to Synchronous \(ASYNC_TO_SYNC\)](#)

For more ways to control implementation of flip-flops and registers, see [Mapping Logic to LUTs](#) in [Chapter 8, XST FPGA Optimization](#).

Flip-Flops and Registers Reporting

Registers are inferred and reported during HDL Synthesis. After Advanced HDL Synthesis, they are expanded to individual flip-flops, as reflected by subsequent reporting.

```

=====
*                               HDL Synthesis                               *
=====

Synthesizing Unit registers_5>.
  Found 4-bit register for signal Q>.
  Summary:
  inferred 4 D-type flip-flop(s).
Unit registers_5> synthesized.

=====
HDL Synthesis Report

Macro Statistics
# Registers           : 1
 4-bit register       : 1

=====

*                               Advanced HDL Synthesis                               *
=====
(...)

=====
Advanced HDL Synthesis Report

Macro Statistics
# Registers           : 4
Flip-Flops           : 4
=====

```

The number of registers inferred during HDL Synthesis may not directly translate into a precisely matching number of flip-flop primitives in the Design Summary section. The latter is dependent on the outcome of a number of processing steps during Advanced HDL Synthesis and Low Level Synthesis. They include absorption of registers into DSP blocks or block RAMs, register duplication, removal of constant or equivalent flip-flops, and register balancing.

Flip-Flops and Registers Coding Examples

Coding examples are accurate as of the date of publication. Download updates and other examples from ftp://ftp.xilinx.com/pub/documentation/misc/xstug_examples.zip. Each directory contains a `summary.txt` file listing all examples together with a brief overview.

Flip-Flops and Registers VHDL Coding Example

```
--
-- Flip-Flop with
--   Rising-edge Clock
--   Active-high Synchronous Reset
--   Active-high Clock Enable
--   Initial Value
--
-- Download: ftp://ftp.xilinx.com/pub/documentation/misc/xstug_examples.zip
-- File: HDL_Coding_Techniques/registers/registers_6.vhd
--
library ieee;
use ieee.std_logic_1164.all;

entity registers_6 is
    port(
        clk      : in  std_logic;
        rst      : in  std_logic;
        clken    : in  std_logic;
        D        : in  std_logic;
        Q        : out std_logic);
end registers_6;

architecture behavioral of registers_6 is
    signal S : std_logic := '0';
begin

    process (clk)
    begin
        if rising_edge(clk) then
            if rst = '1' then
                S <= '0';
            elsif clken = '1' then
                S <= D;
            end if;
        end if;
    end process;

    Q <= S;

end behavioral;
```

Flip-Flops and Registers Verilog Coding Example

```
//
// 4-bit Register with
//   Rising-edge Clock
//   Active-high Synchronous Reset
//   Active-high Clock Enable
//
// Download: ftp://ftp.xilinx.com/pub/documentation/misc/xstug_examples.zip
// File: HDL_Coding_Techniques/registers/registers_6.v
//
module v_registers_6 (clk, rst, clken, D, Q);
    input  clk, rst, clken;
    input  [3:0] D;
    output reg [3:0] Q;

    always @(posedge clk)
    begin
        if (rst)
            Q <= 4'b0011;
        else if (clken)
            Q <= D;
    end
endmodule
```

Latches

This section discusses HDL Coding Techniques for Latches, and includes:

- [About Latches](#)
- [Describing Latches](#)
- [Latches Related Constraints](#)
- [Latches Reporting](#)
- [Latches Coding Examples](#)

About Latches

Latches inferred by XST have:

- A data input
- An enable input
- A data output
- An optional Set/Reset

Describing Latches

Latches are usually created from an HDL description when a signal modelling the latch output is not assigned any new contents in a branch of an **if-else** construct. A latch can be described as follows:

- Concurrent signal assignment (VHDL)

```
Q <= D when G = '1';
```

- Process (VHDL)

```
process (G, D)
begin
  if G = '1' then
    Q <= D;
  end process;
```

- Always block (Verilog)

```
always @ (G or D)
begin
  if (G)
    Q <= D;
end
```

In VHDL, XST can infer latches from descriptions based on a **wait** statement.

Latches Related Constraints

[Pack I/O Registers Into IOBs \(IOB\)](#)

Latches Reporting

The XST log file reports the type and size of recognized latches during the Macro Recognition step.

```
=====
*                               HDL Synthesis                               *
=====

Synthesizing Unit example>.
  WARNING:Xst:737 - Found 1-bit latch for signal <Q>.
Latches may be generated from incomplete case or if statements.
We do not recommend the use of latches in FPGA/CPLD designs,
as they may lead to timing problems.
  Summary:
  inferred 1 Latch(s).
Unit example> synthesized.

=====
HDL Synthesis Report

Macro Statistics
# Latches                               : 1
  1-bit latch                           : 1
=====
```

Unlike for other macros, XST issues a warning here. Inferred latches are often the result of HDL coding mistakes, such as incomplete **case** or **if** constructs. This warning alerts you to potential problems, allowing you to verify that the inferred latch functionality was intended.

Latches Coding Examples

Coding examples are accurate as of the date of publication. Download updates and other examples from ftp://ftp.xilinx.com/pub/documentation/misc/xstug_examples.zip. Each directory contains a `summary.txt` file listing all examples together with a brief overview.

Latch with Positive Gate and Asynchronous Reset VHDL Coding Example

```
--
-- Latch with Positive Gate and Asynchronous Reset
--
-- Download: ftp://ftp.xilinx.com/pub/documentation/misc/xstug_examples.zip
-- File: HDL_Coding_Techniques/latches/latches_2.vhd
--
library ieee;
use ieee.std_logic_1164.all;

entity latches_2 is
  port(G, D, CLR : in std_logic;
        Q : out std_logic);
end latches_2;

architecture archi of latches_2 is
begin
  process (CLR, D, G)
  begin
    if (CLR='1') then
      Q <= '0';
    elsif (G='1') then
      Q <= D;
    end if;
  end process;
end archi;
```


Latch with Positive Gate Verilog Coding Example

```
//  
// Latch with Positive Gate  
//  
// Download: ftp://ftp.xilinx.com/pub/documentation/misc/xstug_examples.zip  
// File: HDL_Coding_Techniques/latches/latches_1.v  
//  
module v_latches_1 (G, D, Q);  
    input G, D;  
    output Q;  
    reg Q;  
  
    always @(G or D)  
    begin  
        if (G)  
            Q = D;  
    end  
endmodule
```

Tristates

This section discusses HDL Coding Techniques for Tristates, and includes:

- [About Tristates](#)
- [Tristates Implementation](#)
- [Tristates Related Constraints](#)
- [Tristates Reporting](#)
- [Tristates Coding Examples](#)

About Tristates

Whether driving an internal bus, or an external bus on the board where the Xilinx® device resides, tristate buffers are usually modelled by a signal and an **if-else** construct, where the signal is assigned a high impedance value in one branch of the **if-else**. This description can be achieved with different coding styles.

- Concurrent signal assignment (VHDL)

```
<= I when T = '0' else (others => 'Z');
```

- Concurrent signal assignment (Verilog)

```
assign O = (~T) ? I : 1'bZ;
```

- Combinatorial process (VHDL)

```
process (T, I)
begin
  if (T = '0') then
    O <= I;
  else
    O <= 'Z';
  end if;
end process;
```

- Always block (Verilog)

```
always @(T or I)
begin
  if (~T)
    O = I;
  else
    O = 1'bZ;
End
```

Tristates Implementation

Inferred tristate buffers are implemented with different device primitives when driving an internal bus (**BUFT**) or an external pin of the circuit (**OBUFT**).

Tristates Related Constraints

[Convert Tristates to Logic \(TRISTATE2LOGIC\)](#)

Tristates Reporting

Tristate buffers are inferred and reported during HDL Synthesis.

```
=====
*                               HDL Synthesis                               *
=====

Synthesizing Unit example>.
  Found 1-bit tristate buffer for signal S> created at line 22
  Summary:
  inferred   8 Tristate(s).
Unit example> synthesized.

=====
HDL Synthesis Report

Macro Statistics
# Tristates                : 8
 1-bit tristate buffer     : 8
=====
```

Tristates Coding Examples

Coding examples are accurate as of the date of publication. Download updates and other examples from ftp://ftp.xilinx.com/pub/documentation/misc/xstug_examples.zip. Each directory contains a `summary.txt` file listing all examples together with a brief overview.

Tristate Description Using Combinatorial Process VHDL Coding Example

```
--
-- Tristate Description Using Combinatorial Process
-- Implemented with an OBUFT (IO buffer)
--
-- Download: ftp://ftp.xilinx.com/pub/documentation/misc/xstug_examples.zip
-- File: HDL_Coding_Techniques/tristates/tristates_1.vhd
--
library ieee;
use ieee.std_logic_1164.all;

entity three_st_1 is
  port(T : in  std_logic;
       I : in  std_logic;
       O : out std_logic);
end three_st_1;

architecture archi of three_st_1 is
begin

  process (I, T)
  begin
    if (T='0') then
      O <= I;
    else
      O <= 'Z';
    end if;
  end process;

end archi;
```

Tristate Description Using Concurrent Assignment VHDL Coding Example

```
--
-- Tristate Description Using Concurrent Assignment
--
-- Download: ftp://ftp.xilinx.com/pub/documentation/misc/xstug_examples.zip
-- File: HDL_Coding_Techniques/tristates/tristates_2.vhd
--
library ieee;
use ieee.std_logic_1164.all;

entity three_st_2 is
    port(T : in  std_logic;
         I : in  std_logic;
         O : out std_logic);
end three_st_2;

architecture archi of three_st_2 is
begin
    O <= I when (T='0') else 'Z';
end archi;
```

Tristate Description Using Combinatorial Process VHDL Coding Example

```
--
-- Tristate Description Using Combinatorial Process
-- Implemented with an OBUF (internal buffer)
--
-- Download: ftp://ftp.xilinx.com/pub/documentation/misc/xstug_examples.zip
-- File: HDL_Coding_Techniques/tristates/tristates_3.vhd
--
library ieee;
use ieee.std_logic_1164.all;

entity example is
    generic (
        WIDTH : integer := 8
    );
    port(
        T : in  std_logic;
        I : in  std_logic_vector(WIDTH-1 downto 0);
        O : out std_logic_vector(WIDTH-1 downto 0));
end example;

architecture archi of example is
    signal S : std_logic_vector(WIDTH-1 downto 0);
begin
    process (I, T)
    begin
        if (T = '1') then
            S <= I;
        else
            S <= (others => 'Z');
        end if;
    end process;

    O <= not(S);
end archi;
```

Tristate Description Using Combinatorial Always Block Verilog Coding Example

```
//
// Tristate Description Using Combinatorial Always Block
//
// Download: ftp://ftp.xilinx.com/pub/documentation/misc/xstug_examples.zip
// File: HDL_Coding_Techniques/tristates/tristates_1.v
//
module v_three_st_1 (T, I, O);
    input  T, I;
    output O;
    reg    O;

    always @(T or I)
    begin
        if (~T)
            O = I;
        else
            O = 1'bZ;
    end
end
endmodule
```

Tristate Description Using Concurrent Assignment Verilog Coding Example

```
//
// Tristate Description Using Concurrent Assignment
//
// Download: ftp://ftp.xilinx.com/pub/documentation/misc/xstug_examples.zip
// File: HDL_Coding_Techniques/tristates/tristates_2.v
//
module v_three_st_2 (T, I, O);
    input  T, I;
    output O;

    assign O = (~T) ? I : 1'bZ;
end
endmodule
```

Counters and Accumulators

This section discusses HDL Coding Techniques for Counters and Accumulators, and includes:

- [About Counters and Accumulators](#)
- [Counters and Accumulators Implementation](#)
- [Counters and Accumulators Related Constraints](#)
- [Counters and Accumulators Reporting](#)
- [Counters and Accumulators Coding Examples](#)

About Counters and Accumulators

XST provides inference capability for counters and accumulators. Besides the core functionality, you can describe such optional features as:

- Asynchronous set, reset or load
- Synchronous set, reset or load
- Clock enable
- Up, down, or up/down direction

An accumulator differs from a counter (also known as incremter or decremter) in the nature of the operands of the add or subtract operation, or both. In a counter description, the destination and first operand is a signal or variable, and the other operand is a constant equal to 1.

```
A <= A + 1;
```

In an accumulator description, the destination and first operand is a signal or variable, and the second operand is either:

- A signal or variable

```
A <= A + B;
```

- A constant not equal to 1

```
A <= A + Constant;
```

Direction of an inferred counter or accumulator can be **up**, **down**, or **updown**. For an **updown** accumulator, the accumulated data can differ between the **up** and **down** mode.

```
if updown = '1' then
    a <= a + b;
else
    a <= a - c;
end if;
```

XST supports description of both unsigned and signed counters and accumulators.

Whether described with a signal of type integer or array of bits, XST determines the minimal number of bits needed to implement an inferred counter or accumulator. Unless explicitly otherwise specified in the HDL description, a counter can potentially take all values allowed by this number during circuit. You can count up to a specific value using a modulo operator as follows.

VHDL Syntax Example

```
cnt <= (cnt + 1) mod MAX ;
```

Verilog Syntax Example

```
cnt <= (cnt + 1) %MAX;
```

Counters and Accumulators Implementation

Counters and accumulators can be implemented on:

- Slice logic
- DSP block resources

A DSP block can absorb up to two levels of registers, provided the counter or accumulator fits in a single DSP block. If a counter or accumulator macro does not fit in a single DSP block, XST implements the entire macro using slice logic.

Macro implementation on DSP block resources is controlled by [Use DSP Block \(USE_DSP48\)](#) with a default value of **auto**.

In **auto** mode, XST implements counters and accumulators considering such factors as:

- DSP block resources available on the device
- Contextual information such as the source of the data being accumulated
- Whether implementation in a DSP block allows the leveraging of the high-performance cascading capabilities of the Xilinx® DSP blocks.

For most standalone counters and accumulators, slice logic is favored by default in **auto** mode. Change it to **yes** in order to force implementation onto DSP blocks.

In **auto** mode, [DSP Utilization Ratio \(DSP_UTILIZATION_RATIO\)](#) controls DSP block resource utilization. XST tries to utilize all DSP block resources available on the targeted device.

For more information, see [Arithmetic Operators DSP Block Resources](#) in this chapter.

Counters and Accumulators Related Constraints

- [Use DSP Block \(USE_DSP48\)](#)
- [DSP Utilization Ratio \(DSP_UTILIZATION_RATIO\)](#)

Counters and Accumulators Reporting

Counters and accumulators are identified during Advanced HDL Synthesis, by a combination of a register and an adder/subtractor macro previously inferred during HDL Synthesis. The following report example shows this sequence of events.

```
=====
*                               HDL Synthesis                               *
=====
```

```
Synthesizing Unit <example>.
  Found 4-bit register for signal <cnt>.
  Found 4-bit register for signal <acc>.
  Found 4-bit adder for signal <n0005> created at line 29.
  Found 4-bit adder for signal <n0006> created at line 30.
  Summary:
  inferred   2 Adder/Subtractor(s).
  inferred   8 D-type flip-flop(s).
Unit <example> synthesized.
```

```
=====
HDL Synthesis Report
```

```
Macro Statistics
# Adders/Subtractors      : 2
  4-bit adder             : 2
# Registers                : 2
  4-bit register          : 2
```

```
=====
*                               Advanced HDL Synthesis                               *
=====
```

```
Synthesizing (advanced) Unit <example>.
The following registers are absorbed into counter <cnt>: 1 register on signal <cnt>.
The following registers are absorbed into accumulator <acc>: 1 register on signal <acc>.
Unit <example> synthesized (advanced).
```

```
=====
Advanced HDL Synthesis Report
```

```
Macro Statistics
# Counters                  : 1
  4-bit up counter         : 1
# Accumulators              : 1
  4-bit up accumulator     : 1
```

Counters and Accumulators Coding Examples

Coding examples are accurate as of the date of publication. Download updates and other examples from ftp://ftp.xilinx.com/pub/documentation/misc/xstug_examples.zip. Each directory contains a `summary.txt` file listing all examples together with a brief overview.

4-bit Unsigned Up Accumulator with Synchronous Reset VHDL Coding Example

```
--
-- 4-bit Unsigned Up Accumulator with Synchronous Reset
--
-- Download: ftp://ftp.xilinx.com/pub/documentation/misc/xstug_examples.zip
-- File: HDL_Coding_Techniques/accumulators/accumulators_2.vhd
--
library ieee;
use ieee.std_logic_1164.all;
use ieee.std_logic_unsigned.all;

entity accumulators_2 is

    port(
        clk : in std_logic;
        rst : in std_logic;
        D    : in std_logic_vector(3 downto 0);
        Q    : out std_logic_vector(3 downto 0));

end accumulators_2;

architecture archi of accumulators_2 is

    signal cnt : std_logic_vector(3 downto 0);

begin

    process (clk)
    begin
        if (clk'event and clk = '1') then
            if (rst = '1') then
                cnt <= "0000";
            else
                cnt <= cnt + D;
            end if;
        end if;
    end process;

    Q <= cnt;

end archi;
```

4-bit Unsigned Down Counter With a Synchronous Load Verilog Coding Example

```
//
// 4-bit unsigned down counter with a synchronous load.
//
// Download: ftp://ftp.xilinx.com/pub/documentation/misc/xstug_examples.zip
// File: HDL_Coding_Techniques/counters/counters_31.v
//
module v_counters_31 (clk, load, Q);

    input        clk;
    input        load;
    output [3:0] Q;
    reg [3:0] cnt;

    always @(posedge clk)
    begin
        if (load)
            cnt <= 4'b1100;
        else
            cnt <= cnt - 1'b1;
        end

        assign Q = cnt;
    endmodule
```


Shift Registers

This section discusses HDL Coding Techniques for Shift Registers, and includes:

- [About Shift Registers](#)
- [Describing Shift Registers](#)
- [Shift Registers Implementation](#)
- [Shift Registers Related Constraints](#)
- [Shift Registers Reporting](#)
- [Shift Registers Coding Examples](#)

About Shift Registers

A shift register is a chain of flip-flops allowing propagation of data across a fixed (static) number of latency stages. In [Dynamic Shift Registers](#), the length of the propagation chain dynamically varies during circuit operation.

A static shift register usually involves:

- A clock
- An optional clock enable
- A serial data input
- A serial data output

You can include additional functionality, such as reset, set, or parallel load logic, either in a maximum advantage of dedicated SRL-type primitives for reduced device utilization and optimized performance. Xilinx® recommends removing such logic, and loading the desired contents serially instead.

Describing Shift Registers

The two general approaches to describing the core functionality of a shift register are shown below.

Concatenation Operator VHDL Coding Example

In a compact way, using a concatenation operator.

```
shreg <= shreg (6 downto 0) & SI;
```

For Loop VHDL Coding Example

Using a `for` loop construct.

```
for i in 0 to 6 loop
  shreg(i+1) <= shreg(i);
end loop;
shreg(0) <= SI;
```

Shift Registers Implementation

This section discusses Shift Registers Implementation, and includes:

- [Shift Registers SRL-Based Implementation](#)
- [Implementing Shift Registers on Block RAM](#)
- [Implementing Shift Registers on LUT RAM](#)

Shift Registers SRL-Based Implementation

XST implements inferred shift registers on SRL-type resources such as SRL16, SRL16E, SRLC16, SRLC16E, and SRLC32E.

Depending on the length of the shift register, XST implements it on a single SRL-type primitive, or takes advantage of the cascading capability of SRLC-type primitives. XST also tries to take advantage of this cascading capability if the rest of the design uses some intermediate positions of the shift register.

You can also implement delay lines on RAM resources (block RAM or LUT RAM), instead of SRL-type resources. This technique brings significant benefits, especially with respect to power savings, when delay lines become relatively long.

However, on block RAM or LUT RAM, resources, XST is unable to make the decision to implement a shift register as described generically in [Describing Shift Registers](#). You must explicitly describe the RAM-based implementation, as shown in the following coding examples.

Implementing Shift Registers on Block RAM

One of the key **block RAM** features being leveraged is the read-first synchronization mode. Another important element of this technique is a counter that sequentially scans the addressable space, and counts back to zero when reaching the delay line length minus two. In order to ensure maximal performance, use the **block RAM** output latch and optional output register stage. As a result, a 512-deep delay line, for example, uses 510 addressable data words in the RAM, while the data output latch and optional output register provide the last two stages.

For more information on RAM functionality, see [RAMs](#).

Coding examples are accurate as of the date of publication. Download updates and other examples from ftp://ftp.xilinx.com/pub/documentation/misc/xstug_examples.zip. Each directory contains a `summary.txt` file listing all examples together with a brief overview.

512-Deep 8-bit Delay Line Implemented on Block RAM VHDL Coding Example

```
--
-- A 512-deep 8-bit delay line implemented on block RAM
-- 510 stages implemented as addressable memory words
-- 2 stages implemented with output latch and optional output register for
-- optimal performance
--
-- Download: ftp://ftp.xilinx.com/pub/documentation/misc/xstug_examples.zip
-- File: HDL_Coding_Techniques/shift_registers/delayline_bram_512.vhd
--
library IEEE;
use IEEE.STD_LOGIC_1164.all;
use IEEE.STD_LOGIC_UNSIGNED.all;
use IEEE.STD_LOGIC_ARITH.all;

entity srl_512_bram is
  generic (
    LENGTH      : integer := 512;
    ADDRWIDTH   : integer := 9;
    WIDTH       : integer := 8);
  port (
    CLK         : in  std_logic;
    SHIFT_IN    : in  std_logic_vector(WIDTH-1 downto 0);
    SHIFT_OUT   : out std_logic_vector(WIDTH-1 downto 0));
end srl_512_bram;

architecture behavioral of srl_512_bram is

  signal CNTR : std_logic_vector(ADDRWIDTH-1 downto 0);
  signal SHIFT_TMP : std_logic_vector(WIDTH-1 downto 0);
  type ram_type is array (0 to LENGTH-3) of std_logic_vector(WIDTH-1 downto 0);
  signal RAM : ram_type := (others => (others => '0'));
begin

  counter : process (CLK)
  begin
    if CLK'event and CLK = '1' then
      if CNTR = conv_std_logic_vector(LENGTH-3, ADDRWIDTH) then
        CNTR <= (others => '0');
      else
        CNTR <= CNTR + '1';
      end if;
    end if;
  end process counter;

  memory : process (CLK)
  begin
    if CLK'event and CLK = '1' then
      RAM(conv_integer(CNTR)) <= SHIFT_IN;
      SHIFT_TMP <= RAM(conv_integer(CNTR));
      SHIFT_OUT <= SHIFT_TMP;
    end if;
  end process memory;

end behavioral;
```

514-Deep 8-bit Delay Line Implemented on Block RAM VHDL Coding Example

```
--
-- A 514-deep 8-bit delay line implemented on block RAM
-- 512 stages implemented as addressable memory words
-- 2 stages implemented with output latch and optional output register for
-- optimal performance
--
-- Download: ftp://ftp.xilinx.com/pub/documentation/misc/xstug_examples.zip
-- File: HDL_Coding_Techniques/shift_registers/delayline_bram_514.vhd
--
library IEEE;
use IEEE.STD_LOGIC_1164.all;
use IEEE.STD_LOGIC_UNSIGNED.all;

entity srl_514_bram is
  generic (
    LENGTH      : integer := 514;
    ADDRWIDTH   : integer := 9;
    WIDTH       : integer := 8);
  port (
    CLK         : in  std_logic;
    SHIFT_IN    : in  std_logic_vector(WIDTH-1 downto 0);
    SHIFT_OUT   : out std_logic_vector(WIDTH-1 downto 0));
end srl_514_bram;

architecture behavioral of srl_514_bram is

  signal CNTR : std_logic_vector(ADDRWIDTH-1 downto 0);
  signal SHIFT_TMP : std_logic_vector(WIDTH-1 downto 0);
  type ram_type is array (0 to LENGTH-3) of std_logic_vector(WIDTH-1 downto 0);
  signal RAM : ram_type := (others => (others => '0'));
begin

  counter : process (CLK)
  begin
    if CLK'event and CLK = '1' then
      CNTR <= CNTR + '1';
    end if;
  end process counter;

  memory : process (CLK)
  begin
    if CLK'event and CLK = '1' then
      RAM(conv_integer(CNTR)) <= SHIFT_IN;
      SHIFT_TMP <= RAM(conv_integer(CNTR));
      SHIFT_OUT <= SHIFT_TMP;
    end if;
  end process memory;

end behavioral;
```

Implementing Shift Registers on LUT RAM

You can also implement such a shift register on distributed RAM, with the last stage implemented with a separate register. For example, a 128-deep delay line uses a LUT RAM with 127 addressable data words, and a final register stage, as follows.

For more information on RAM functionality, see [RAMs](#).

Coding examples are accurate as of the date of publication. Download updates and other examples from ftp://ftp.xilinx.com/pub/documentation/misc/xstug_examples.zip. Each directory contains a `summary.txt` file listing all examples together with a brief overview.

128-Deep 8-bit Delay Line Implemented on LUT RAM VHDL Coding Example

```
--
-- A 128-deep 8-bit delay line implemented on LUT RAM
-- 127 stages implemented as addressable memory words
-- Last stage implemented with an external register
--
-- Download: ftp://ftp.xilinx.com/pub/documentation/misc/xstug_examples.zip
-- File: HDL_Coding_Techniques/shift_registers/delayline_lutram_128.vhd
--
library IEEE;
use IEEE.STD_LOGIC_1164.all;
use IEEE.STD_LOGIC_UNSIGNED.all;
use IEEE.STD_LOGIC_ARITH.all;

entity srl_128_lutram is
  generic (
    LENGTH      : integer := 128;
    ADDRWIDTH   : integer := 7;
    WIDTH       : integer := 8);
  port (
    CLK         : in  std_logic;
    SHIFT_IN    : in  std_logic_vector(WIDTH-1 downto 0);
    SHIFT_OUT   : out std_logic_vector(WIDTH-1 downto 0));
end srl_128_lutram;

architecture behavioral of srl_128_lutram is

  signal CNTR : std_logic_vector(ADDRWIDTH-1 downto 0);
  type ram_type is array (0 to LENGTH-2) of std_logic_vector(WIDTH-1 downto 0);
  signal RAM : ram_type := (others => (others => '0'));

  attribute ram_style : string;
  attribute ram_style of RAM : signal is "distributed";

begin

  counter : process (CLK)
  begin
    if CLK'event and CLK = '1' then
      if CNTR = conv_std_logic_vector(LENGTH-2, ADDRWIDTH) then
        CNTR <= (others => '0');
      else
        CNTR <= CNTR + '1';
      end if;
    end if;
  end process counter;

  memory : process (CLK)
  begin
    if CLK'event and CLK = '1' then
      RAM(conv_integer(CNTR)) <= SHIFT_IN;
      SHIFT_OUT <= RAM(conv_integer(CNTR));
    end if;
  end process memory;

end behavioral;
```

Shift Registers Related Constraints

[Shift Register Extraction \(SHREG_EXTRACT\)](#)

Shift Registers Reporting

During HDL Synthesis, XST initially identifies individual flip-flops. Actual recognition of shift registers occurs during Low Level Synthesis. The following report example shows this sequence of events.

```
=====
* HDL Synthesis *
=====
Synthesizing Unit <example>.
  Found 8-bit register for signal <tmp>.
  Summary:
    inferred 8 D-type flip-flop(s).
Unit <example> synthesized.

(...)
=====
* Advanced HDL Synthesis *
=====
Advanced HDL Synthesis Report
Macro Statistics
# Registers : 8
Flip-Flops : 8
=====

(...)
=====
* Low Level Synthesis *
=====
Processing Unit <example> :
  Found 8-bit shift register for signal <tmp_7>.
Unit <example> processed.

(...)
=====
Final Register Report
Macro Statistics
# Shift Registers : 1
8-bit shift register : 1
=====
```

Shift Registers Coding Examples

Coding examples are accurate as of the date of publication. Download updates and other examples from ftp://ftp.xilinx.com/pub/documentation/misc/xstug_examples.zip. Each directory contains a `summary.txt` file listing all examples together with a brief overview.

32-bit Shift Register VHDL Coding Example One

The following coding example uses the concatenation coding style.

```
--
-- 32-bit Shift Register
--   Rising edge clock
--   Active high clock enable
--   Concatenation-based template
--
-- Download: ftp://ftp.xilinx.com/pub/documentation/misc/xstug_examples.zip
-- File: HDL_Coding_Techniques/shift_registers/shift_registers_0.vhd
--
library ieee;
use ieee.std_logic_1164.all;

entity shift_registers_0 is

    generic (
        DEPTH : integer := 32
    );
    port (
        clk      : in  std_logic;
        clken    : in  std_logic;
        SI       : in  std_logic;
        SO       : out std_logic);

end shift_registers_0;

architecture archi of shift_registers_0 is
    signal shreg: std_logic_vector(DEPTH-1 downto 0);
begin

    process (clk)
    begin
        if rising_edge(clk) then
            if clken = '1' then
                shreg <= shreg(DEPTH-2 downto 0) & SI;
            end if;
        end if;
    end process;

    SO <= shreg(DEPTH-1);

end archi;
```

32-bit Shift Register VHDL Coding Example Two

The same functionality can also be described as follows.

```
--
-- 32-bit Shift Register
--   Rising edge clock
--   Active high clock enable
--   four loop-based template
--
-- Download: ftp://ftp.xilinx.com/pub/documentation/misc/xstug_examples.zip
-- File: HDL_Coding_Techniques/shift_registers/shift_registers_1.vhd
--
library ieee;
use ieee.std_logic_1164.all;

entity shift_registers_1 is

    generic (
        DEPTH : integer := 32
    );
    port (
        clk   : in  std_logic;
        clken : in  std_logic;
        SI    : in  std_logic;
        SO    : out std_logic);

end shift_registers_1;

architecture archi of shift_registers_1 is
    signal shreg: std_logic_vector(DEPTH-1 downto 0);
begin

    process (clk)
    begin
        if rising_edge(clk) then
            if clken = '1' then
                for i in 0 to DEPTH-2 loop
                    shreg(i+1) <= shreg(i);
                end loop;
                shreg(0) <= SI;
            end if;
        end if;
    end process;

    SO <= shreg(DEPTH-1);

end archi;
```


8-bit Shift Register Verilog Coding Example One

The following coding example uses a concatenation to describe the register chain.

```
//
// 8-bit Shift Register
//   Rising edge clock
//   Active high clock enable
//   Concatenation-based template
//
// Download: ftp://ftp.xilinx.com/pub/documentation/misc/xstug_examples.zip
// File: HDL_Coding_Techniques/shift_registers/shift_registers_0.v
//
module v_shift_registers_0 (clk, clken, SI, SO);

    input    clk, clken, SI;
    output   SO;
    reg [7:0] shreg;

    always @(posedge clk)
    begin
        if (clken)
            shreg = {shreg[6:0], SI};
    end

    assign SO = shreg[7];

endmodule
```

8-bit Shift Register Verilog Coding Example Two

```
//
// 8-bit Shift Register
//   Rising edge clock
//   Active high clock enable
//   Concatenation-based template
//
// Download: ftp://ftp.xilinx.com/pub/documentation/misc/xstug_examples.zip
// File: HDL_Coding_Techniques/shift_registers/shift_registers_1.v
//
module v_shift_registers_1 (clk, clken, SI, SO);

    input    clk, clken, SI;
    output   SO;
    reg [7:0] shreg;

    integer i;

    always @(posedge clk)
    begin
        if (clken)
        begin
            for (i = 0; i < 7; i = i+1)
                shreg[i+1] <= shreg[i];
            shreg[0] <= SI;
        end
    end

    assign SO = shreg[7];

endmodule
```

Dynamic Shift Registers

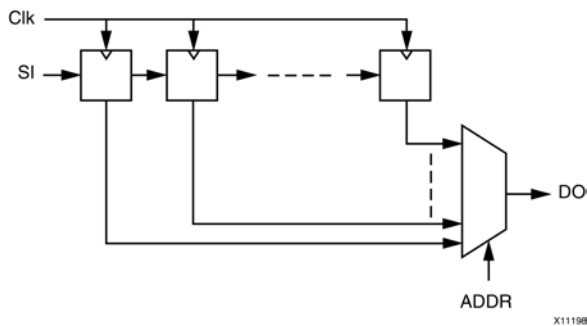
This section discusses HDL Coding Techniques for Dynamic Shift Registers, and includes:

- [About Dynamic Shift Registers](#)
- [Dynamic Shift Registers Related Constraints](#)
- [Dynamic Shift Registers Reporting](#)
- [Dynamic Shift Registers Coding Examples](#)

About Dynamic Shift Registers

A dynamic shift register is a shift register the length of which can dynamically vary during circuit operation. Considering the maximal length that it can take during circuit operation, a shift register can be seen as a chain of flip-flops of that length, with a multiplexer selecting, in a given clock cycle, in which stage data is to be extracted from the propagation chain. The following figure summarizes this concept.

Dynamic Shift Registers



XST can infer dynamic shift registers of any maximal length, and implement them optimally using the SRL-type primitives available in the targeted device family.

Dynamic Shift Registers Related Constraints

[Shift Register Extraction \(SHREG_EXTRACT\)](#)

Dynamic Shift Registers Reporting

During HDL Synthesis, XST initially identifies flip-flops and multiplexers. Actual recognition of a dynamic shift register happens during Advanced HDL Synthesis, where XST determines the dependency between those basic macros. The following report example shows this sequence of events.

```

=====
* HDL Synthesis *
=====

Synthesizing Unit <example>.
  Found 1-bit 16-to-1 multiplexer for signal <Q>.
  Found 16-bit register for signal <SRL_SIG>.
  Summary:
    inferred 16 D-type flip-flop(s).
    inferred 1 Multiplexer(s).
Unit <example> synthesized.

(...)
=====
* Advanced HDL Synthesis *
=====

Synthesizing (advanced) Unit <example>.
  Found 16-bit dynamic shift register for signal <Q>.
Unit <example> synthesized (advanced).

=====
HDL Synthesis Report
Macro Statistics
# Shift Registers : 1
16-bit dynamic shift register : 1
=====

```

Dynamic Shift Registers Coding Examples

Coding examples are accurate as of the date of publication. Download updates and other examples from ftp://ftp.xilinx.com/pub/documentation/misc/xstug_examples.zip. Each directory contains a `summary.txt` file listing all examples together with a brief overview.

32-bit Dynamic Shift Registers VHDL Coding Example

```
--
-- 32-bit dynamic shift register.
--
-- Download: ftp://ftp.xilinx.com/pub/documentation/misc/xstug_examples.zip
-- File: HDL_Coding_Techniques/dynamic_shift_registers/dynamic_shift_registers_1.vhd
--
library IEEE;
use IEEE.std_logic_1164.all;
use IEEE.std_logic_unsigned.all;

entity example is

    generic (
        DEPTH      : integer := 32;
        SEL_WIDTH  : integer := 5
    );
    port(
        CLK  : in  std_logic;
        SI   : in  std_logic;
        CE   : in  std_logic;
        A    : in  std_logic_vector(SEL_WIDTH-1 downto 0);
        DO   : out std_logic
    );

end example;

architecture rtl of example is

    type SRL_ARRAY is array (0 to DEPTH-1) of std_logic;
    -- The type SRL_ARRAY can be array
    -- (0 to DEPTH-1) of
    -- std_logic_vector(BUS_WIDTH downto 0)
    -- or array (DEPTH-1 downto 0) of
    -- std_logic_vector(BUS_WIDTH downto 0)
    -- (the subtype is forward (see below))
    signal SRL_SIG : SRL_ARRAY;

begin
    process (CLK)
    begin
        if rising_edge(CLK) then
            if CE = '1' then
                SRL_SIG <= SI & SRL_SIG(0 to DEPTH-2);
            end if;
        end if;
    end process;

    DO <= SRL_SIG(conv_integer(A));

end rtl;
```

32-bit Dynamic Shift Registers Verilog Coding Example

```
//  
// 32-bit dynamic shift register.  
//  
// Download: ftp://ftp.xilinx.com/pub/documentation/misc/xstug_examples.zip  
// File: HDL_Coding_Techniques/dynamic_shift_registers/dynamic_shift_registers_1.v  
//  
module example (CLK, CE, A, SI, DO);  
  
    input        CLK, CE, SI;  
    input  [4:0] A;  
    output       DO;  
  
    reg [31:0] data;  
  
    assign DO = data[A];  
  
    always @(posedge CLK)  
    begin  
        if (CE == 1'b1)  
            data <= {data[30:0], SI};  
    end  
  
endmodule
```

Multiplexers

This section discusses HDL Coding Techniques for Multiplexers, and includes:

- [About Multiplexers](#)
- [Multiplexers Implementation](#)
- [Multiplexers Verilog Case Implementation Style Parameter](#)
- [Multiplexers Related Constraints](#)
- [Multiplexers Reporting](#)
- [Multiplexers Coding Examples](#)

About Multiplexers

Multiplexer macros can be inferred from different coding styles, involving either concurrent assignments, description in combinatorial processes or **always** blocks, or descriptions within sequential processes or **always** blocks. Description of multiplexers usually involve:

- **if-elsif** constructs
- **case** constructs

When using a **case** statement, make sure that all selector values are enumerated, or that a default statement defines what data is selected for selector values not explicitly enumerated. Failing to do so creates undesired latches. Similarly, if the multiplexer is described with an **if-elsif** construct, a missing **else** can also create undesired latches.

When the same data is to be selected for different values of the selector, you can use **don't care** to describe those selector values in a compact way.

Multiplexers Implementation

The decision to explicitly infer a multiplexer macro may depend on the nature of the multiplexer inputs, especially the amount of common inputs. Use [Mux Extraction \(MUX_EXTRACT\)](#) to force XST to infer the MUX.

Multiplexers Verilog Case Implementation Style Parameter

You can use a Case Implementation Style Parameter to further characterize a **case** statement that you have described.

For more information, see [Chapter 9, XST Design Constraints](#).

Accepted values for a Case Implementation Style Parameter are:

- **none** (default)
XST implements the behavior of the **case** statement as written.
- **full**
XST considers that case statements are complete, and avoids latch creation, even if not all possible selector values are enumerated.
- **parallel**
XST considers that the branches cannot occur simultaneously, and does not create priority encoding logic.
- **full-parallel**
XST considers that **case** statements are complete and that the branches cannot occur simultaneously, and avoids latch creation and priority encoding logic.

XST issues an information message when a Case Implementation Style Parameter is actually taken advantage of. No message is issued if such a statement is not needed given the characteristics of the **case** itself -- for example, a full **case** parameter when the **case** it relates to enumerates all possible values of the selector.

Specifying **full**, **parallel**, or **full-parallel** can result in an implementation with a behavior that differs from the behavior of the initial model.

Multiplexers Related Constraints

- [Mux Extraction \(MUX_EXTRACT\)](#)
- [Enumerated Encoding \(ENUM_ENCODING\)](#)

Multiplexers Reporting

The XST log file reports the type and size of recognized MUXs during the Macro Recognition step.

```

=====
*                               HDL Synthesis                               *
=====

Synthesizing Unit <example>.
  Found 1-bit 8-to-1 multiplexer for signal <o> created at line 11.
  Summary:
  inferred 1 Multiplexer(s).
  Unit <example> synthesized.

=====
HDL Synthesis Report

Macro Statistics
# Multiplexers                : 1
  1-bit 8-to-1 multiplexer    : 1
=====

```

Explicit inference and reporting of multiplexers can vary depending on the targeted devices and the size of the multiplexer. For example, 4-to-1 multiplexers are not reported for Virtex®-6 or Spartan®-6 devices. For those devices, they are inferred for sizes of 8-to-1 and above.

Multiplexers Coding Examples

Coding examples are accurate as of the date of publication. Download updates and other examples from ftp://ftp.xilinx.com/pub/documentation/misc/xstug_examples.zip. Each directory contains a `summary.txt` file listing all examples together with a brief overview.

8-to-1 1-bit MUX Using an If Statement VHDL Coding Example

```
//
// 8-to-1 1-bit MUX using an If statement.
//
// Download: ftp://ftp.xilinx.com/pub/documentation/misc/xstug_examples.zip
// File: HDL_Coding_Techniques/multiplexers/multiplexers_1.v
//
module v_multiplexers_1 (di, sel, do);
    input [7:0] di;
    input [2:0] sel;
    output reg do;

    always @(sel or di)
    begin
        if      (sel == 3'b000) do = di[7];
        else if (sel == 3'b001) do = di[6];
        else if (sel == 3'b010) do = di[5];
        else if (sel == 3'b011) do = di[4];
        else if (sel == 3'b100) do = di[3];
        else if (sel == 3'b101) do = di[2];
        else if (sel == 3'b110) do = di[1];
        else
            do = di[0];
    end
endmodule
```

8-to-1 1-bit MUX Using an If Statement Verilog Coding Example

```
//
// 8-to-1 1-bit MUX using an If statement.
//
// Download: ftp://ftp.xilinx.com/pub/documentation/misc/xstug_examples.zip
// File: HDL_Coding_Techniques/multiplexers/multiplexers_1.v
//
module v_multiplexers_1 (di, sel, do);
    input [7:0] di;
    input [2:0] sel;
    output reg do;

    always @(sel or di)
    begin
        if      (sel == 3'b000) do = di[7];
        else if (sel == 3'b001) do = di[6];
        else if (sel == 3'b010) do = di[5];
        else if (sel == 3'b011) do = di[4];
        else if (sel == 3'b100) do = di[3];
        else if (sel == 3'b101) do = di[2];
        else if (sel == 3'b110) do = di[1];
        else
            do = di[0];
    end
endmodule
```

8-to-1 1-bit MUX Using a Case Statement VHDL Coding Example

```
--
-- 8-to-1 1-bit MUX using a Case statement.
--
-- Download: ftp://ftp.xilinx.com/pub/documentation/misc/xstug_examples.zip
-- File: HDL_Coding_Techniques/multiplexers/multiplexers_2.vhd
--
library ieee;
use ieee.std_logic_1164.all;

entity multiplexers_2 is

    port (di : in std_logic_vector(7 downto 0);
          sel : in std_logic_vector(2 downto 0);
          do : out std_logic);

end multiplexers_2;

architecture archi of multiplexers_2 is
begin
    process (sel, di)
    begin
        case sel is
            when "000" => do <= di(7);
            when "001" => do <= di(6);
            when "010" => do <= di(5);
            when "011" => do <= di(4);
            when "100" => do <= di(3);
            when "101" => do <= di(2);
            when "110" => do <= di(1);
            when others => do <= di(0);
        end case;
    end process;
end archi;
```

8-to-1 1-bit MUX Using a Case Statement Verilog Coding Example

```
//
// 8-to-1 1-bit MUX using a Case statement.
//
// Download: ftp://ftp.xilinx.com/pub/documentation/misc/xstug_examples.zip
// File: HDL_Coding_Techniques/multiplexers/multiplexers_2.v
//
module v_multiplexers_2 (di, sel, do);
    input [7:0] di;
    input [2:0] sel;
    output reg do;

    always @(sel or di)
    begin
        case (sel)
            3'b000 : do = di[7];
            3'b001 : do = di[6];
            3'b010 : do = di[5];
            3'b011 : do = di[4];
            3'b100 : do = di[3];
            3'b101 : do = di[2];
            3'b110 : do = di[1];
            default : do = di[0];
        endcase
    end
endmodule
```


8-to-1 1-bit MUX Using Tristate Buffers Verilog Coding Example

```
//  
// 8-to-1 1-bit MUX using tristate buffers.  
//  
// Download: ftp://ftp.xilinx.com/pub/documentation/misc/xstug_examples.zip  
// File: HDL_Coding_Techniques/multiplexers/multiplexers_3.v  
//  
module v_multiplexers_3 (di, sel, do);  
    input [7:0] di;  
    input [7:0] sel;  
    output      do;  
  
    assign do = sel[0] ? di[0] : 1'bz;  
    assign do = sel[1] ? di[1] : 1'bz;  
    assign do = sel[2] ? di[2] : 1'bz;  
    assign do = sel[3] ? di[3] : 1'bz;  
    assign do = sel[4] ? di[4] : 1'bz;  
    assign do = sel[5] ? di[5] : 1'bz;  
    assign do = sel[6] ? di[6] : 1'bz;  
    assign do = sel[7] ? di[7] : 1'bz;  
  
endmodule
```

Arithmetic Operators

This section discusses HDL Coding Techniques for Arithmetic Operators, and includes:

- [About Arithmetic Operators](#)
- [Arithmetic Operators Signed and Unsigned Support in XST](#)
- [Arithmetic Operators Implementation](#)

About Arithmetic Operators

XST supports the following arithmetic operators:

- [Adders, Subtractors, and Adders/Subtractors](#)
- [Multipliers](#)
- [Dividers](#)
- [Comparators](#)

These basic arithmetic macros can serve as building blocks to more complex macros such as accumulators, multiply-add, and DSP filters.

Arithmetic Operators Signed and Unsigned Support in XST

This section discusses Arithmetic Operators Signed and Unsigned Support in XST, and includes:

- [About Arithmetic Operators Signed and Unsigned Support in XST](#)
- [Verilog Signed/Unsigned Support](#)
- [VHDL Signed/Unsigned Support](#)

About Arithmetic Operators Signed and Unsigned Support in XST

XST supports signed and unsigned representation for the following operators:

- Adders
- Subtractors
- Comparators
- Multipliers

When using Verilog or VHDL in XST, some macros, such as adders or counters, can be implemented for signed and unsigned values.

Verilog Signed/Unsigned Support

Without explicit specification of the representation, Verilog defines the following convention:

- **Port**, **wire** and **reg** vector types are treated as **unsigned**, unless explicitly declared to be signed.
- Integer variables are treated as **signed**, unless specified otherwise.
- Decimal numbers are **signed**.
- Based numbers are **unsigned**, unless specified otherwise.

Use the **unsigned** and **signed** keywords to explicitly force the representation of data types.

Verilog Signed/Unsigned Support Coding Example One

```
input signed  [31:0] example1;
reg unsigned [15:0] example2;
wire signed  [31:0] example3;
```

Verilog Signed/Unsigned Support Coding Example Two

You can also force a based number to be **signed**, using the **s** notation in the base specifier.

```
4'sd87
```

Verilog Signed/Unsigned Support Coding Example Three

In addition, you can ensure proper type casting with the **\$signed** and **\$unsigned** conversion functions.

```
wire [7:0] udata;
wire [7:0] sdata;
assign sdata = $signed(udata);
```

In Verilog, the type of an expression is defined only by its operands. It does not depend on the type of an assignment left-hand part. Resolution of an expression type is done according to the following rules:

- Bit-select results are **unsigned**, regardless of the operands.
- Part-select results are **unsigned**, regardless of the operands, even if the part-select specifies the entire vector.
- Concatenate results are **unsigned**, regardless of the operands.
- Comparison results are **unsigned**, regardless of the operands.
- The sign and bit length of any self-determined operand is determined by the operand itself and is independent of the rest of the expression. If making use of context-determined operands, review additional guidelines in the Verilog LRM.

VHDL Signed/Unsigned Support

For VHDL, depending on the operation and type of the operands, you must include additional packages in the code. For example, to create an **unsigned** adder, use the arithmetic packages and types that operate on unsigned values shown in the following table.

Unsigned Arithmetic

| PACKAGE | TYPE |
|---------------------------------|-------------------------------|
| <code>numeric_std</code> | <code>unsigned</code> |
| <code>std_logic_arith</code> | <code>unsigned</code> |
| <code>std_logic_unsigned</code> | <code>std_logic_vector</code> |

To create a **signed** adder, use the arithmetic packages and types that operate on **signed** values shown in the following table.

Signed Arithmetic

| PACKAGE | TYPE |
|-------------------------------|-------------------------------|
| <code>numeric_std</code> | <code>signed</code> |
| <code>std_logic_arith</code> | <code>signed</code> |
| <code>std_logic_signed</code> | <code>std_logic_vector</code> |

For more information about available types, see the *IEEE VHDL Manual*.

Arithmetic Operators Implementation

This section discusses Arithmetic Operators Implementation, and includes:

- [Arithmetic Operators Slice Logic](#)
- [Arithmetic Operators DSP Block Resources](#)

Arithmetic Operators Slice Logic

When implementing arithmetic macros on slice logic, XST leverages some of the features of the Xilinx® CLB structure, in particular the dedicated carry logic available to implement fast, efficient arithmetic functions.

Arithmetic Operators DSP Block Resources

Virtex®-6 and Spartan®-6 devices contain dedicated high-performance arithmetic blocks (DSP blocks). DSP blocks are available in varying quantities depending on the targeted device. They can be configured to implement various arithmetic functions. If leveraged to their full potential, DSP blocks can implement a fully pipelined **preadder-multiply-add** or **preadder-multiply-accumulate** function.

XST tries to leverage those resources as much as possible for high-performance and power-efficient implementation of arithmetic logic.

[Multipliers](#) and [Multiply-Add and Multiply-Accumulate](#) discuss the details of implementation on DSP blocks.

- Implementation of arithmetic macros on either slice logic or DSP block resources is controlled by [Use DSP Block \(USE_DSP48\)](#), with a default value of **auto**.
- In automatic mode, XST takes into account actual availability of DSP block resources, in order to avoid overmapping the targeted device. XST may use all DSP resources available on the device. [DSP Utilization Ratio \(DSP_UTILIZATION_RATIO\)](#) forces XST to leave some of those resources unallocated.
- Some arithmetic macros, such as standalone adders, accumulators, and counters, are not implemented on DSP blocks by default. To force implementation, apply [Use DSP Block \(USE_DSP48\)](#) with a value of **yes**.
- To be taken advantage of for pipelining of arithmetic functions implemented on DSP blocks, registers can be described with an optional clock enable. Optionally they may also be synchronously resettable. Asynchronous reset logic prevents such implementation and should be avoided.
- When describing **unsigned** arithmetic, keep in mind that DSP block resources assume signed operands. You cannot map **unsigned** operands to the full width of a single DSP block. For example, XST can implement up to a 25x18-bit **signed** multiplication on a single Virtex-6 DSP48E1 block. It can implement up to a 24x17-bit unsigned product only on that same single block, with most significant bits of the DSP block inputs set to 0.

For more information about DSP block resources, and the advantages of proper HDL coding practices, see also:

- *Virtex-6 FPGA DSP48E1 Slice User Guide*,
http://www.xilinx.com/support/documentation/user_guides/ug369.pdf
- *Spartan-6 FPGA DSP48A1 Slice User Guide*,
http://www.xilinx.com/support/documentation/user_guides/ug389.pdf

Comparators

This section discusses HDL Coding Techniques for Comparators, and includes:

- [About Comparators](#)
- [Comparators Related Constraints](#)
- [Comparators Reporting](#)
- [Comparators Coding Examples](#)

About Comparators

XST recognizes comparators of all possible types:

- `equal`
- `not equal`
- `larger than`
- `larger than or equal`
- `less than`
- `less than or equal`

Comparators Related Constraints

None

Comparators Reporting

Equal or not equal comparison of a signal or a variable to a constant does not lead to an explicit comparator macro inference, since it is directly optimized to Boolean logic by XST. For all other comparison situations, comparator macro inference are reported as shown below.

```
=====
*                               HDL Synthesis                               *
=====

Synthesizing Unit <example>.
  Found 8-bit comparator lessequal for signal <n0000> created at line 8
  Found 8-bit comparator greater for signal <cmp2> created at line 15
  Summary:
  inferred 2 Comparator(s).
Unit <example> synthesized.

=====
HDL Synthesis Report

Macro Statistics
# Comparators                : 2
 8-bit comparator greater    : 1
 8-bit comparator lessequal  : 1
=====
```

Comparators Coding Examples

Coding examples are accurate as of the date of publication. Download updates and other examples from ftp://ftp.xilinx.com/pub/documentation/misc/xstug_examples.zip. Each directory contains a `summary.txt` file listing all examples together with a brief overview.

Unsigned 8-bit Greater or Equal Comparator VHDL Coding Example

```
--
-- Unsigned 8-bit Greater or Equal Comparator
--
-- Download: ftp://ftp.xilinx.com/pub/documentation/misc/xstug_examples.zip
-- File: HDL_Coding_Techniques/comparators/comparators_1.vhd
--
library ieee;
use ieee.std_logic_1164.all;
use ieee.std_logic_unsigned.all;

entity comparators_1 is
    port(A,B : in  std_logic_vector(7 downto 0);
         CMP : out std_logic);
end comparators_1;

architecture archi of comparators_1 is
begin

    CMP <= '1' when A >= B else '0';

end archi;
```

Unsigned 8-bit Less Than Comparator Verilog Coding Example

```
//
// Unsigned 8-bit Less Than Comparator
//
// Download: ftp://ftp.xilinx.com/pub/documentation/misc/xstug_examples.zip
// File: HDL_Coding_Techniques/comparators/comparators_1.v
//
module v_comparators_1 (A, B, CMP);

    input  [7:0] A;
    input  [7:0] B;
    output CMP;

    assign CMP = (A < B) ? 1'b1 : 1'b0;

endmodule
```

Dividers

This section discusses HDL Coding Techniques for Dividers, and includes:

- [About Dividers](#)
- [Dividers Related Constraints](#)
- [Dividers Reporting](#)
- [Dividers Coding Examples](#)

About Dividers

Dividers are supported only when:

- The divisor is constant and a power of 2. Such a description is implemented as a shifter.
- Both operands are constant.

In all other cases, XST exits with a specific error message.

Dividers Related Constraints

None

Dividers Reporting

None

Dividers Coding Examples

Coding examples are accurate as of the date of publication. Download updates and other examples from ftp://ftp.xilinx.com/pub/documentation/misc/xstug_examples.zip. Each directory contains a `summary.txt` file listing all examples together with a brief overview.

Division By Constant 2 VHDL Coding Example

```
--
-- Division By Constant 2
--
-- Download: ftp://ftp.xilinx.com/pub/documentation/misc/xstug_examples.zip
-- File: HDL_Coding_Techniques/dividers/dividers_1.vhd
--
library ieee;
use ieee.std_logic_1164.all;
use ieee.numeric_std.all;

entity divider_1 is
    port(DI : in  unsigned(7 downto 0);
         DO : out unsigned(7 downto 0));
end divider_1;

architecture archi of divider_1 is
begin

    DO <= DI / 2;

end archi;
```

Division By Constant 2 Verilog Coding Example

```
//
// Division By Constant 2
//
// Download: ftp://ftp.xilinx.com/pub/documentation/misc/xstug_examples.zip
// File: HDL_Coding_Techniques/dividers/dividers_1.v
//
module v_divider_1 (DI, DO);
    input  [7:0] DI;
    output [7:0] DO;

    assign DO = DI / 3;

endmodule
```

Adders, Subtractors, and Adders/Subtractors

This section discusses HDL Coding Techniques for Adders, Subtractors, and Adders/Subtractors, and includes:

- [About Adders, Subtractors, and Adders/Subtractors](#)
- [Describing a Carry Output](#)
- [Adders, Subtractors, and Adders/Subtractors Implementation](#)
- [Adders, Subtractors, and Adders/Subtractors Related Constraints](#)
- [Adders, Subtractors, and Adders/Subtractors Reporting](#)
- [Adders, Subtractors, and Adders/Subtractors Coding Examples](#)

About Adders, Subtractors, and Adders/Subtractors

XST recognizes adders, subtractors and adders/subtractors. Adders can be described with an optional carry input, and an optional carry output. Subtractors can be described with an optional borrow input.

Describing a Carry Output

A carry output is usually modelled by assigning the result of the described addition to a signal with an extra bit over the longest operand.

Describing a Carry Output VHDL Coding Example One

```
input  [7:0]  A;
input  [7:0]  B;
wire   [8:0]  res;
wire                   carryout;

assign res = A + B;
assign carryout = res[8];
```

Describing a Carry Output VHDL Coding Example Two

If you intend to describe an adder with a carry output in VHDL, carefully review the arithmetic package you intend to use. For example, the method above is not applicable when using `std_logic_unsigned`, because the size of the result is necessarily equal to the size of the longest argument. In this case, you can adjust the size of the operands as shown in the following example.

```
signal A          : std_logic_unsigned(7 downto 0);
signal B          : std_logic_unsigned(7 downto 0);
signal res        : std_logic_unsigned(8 downto 0);
signal carryout   : std_logic;

res <= ("0" & A) + ("0" & B);
carryout <= res[8];
```

You can also convert the operands to type `integer`, and convert the result of the addition back to `std_logic_vector` as follows. The `conv_std_logic_vector` conversion function is contained in package `std_logic_arith`. The unsigned `+` operation is contained in `std_logic_unsigned`.

```
signal A          : std_logic_vector(7 downto 0);
signal B          : std_logic_vector(7 downto 0);
signal res        : std_logic_vector(8 downto 0);
signal carryout   : std_logic;

res <= conv_std_logic_vector((conv_integer(A) + conv_integer(B)),9);
carryout <= res[8];
```

Adders, Subtractors, and Adders/Subtractors Implementation

Standalone adders, subtractors or adder/subtractors are not implemented on DSP block resources by default. They are instead synthesized using carry logic.

To force the implementation of a simple adder, subtractor, or adder/subtractor to the DSP block, apply [Use DSP Block \(USE_DSP48\)](#) with a value of **yes**.

XST supports the one level of output registers into DSP48 blocks. If the **Carry In** or **Add/Sub** operation selectors are registered, XST pushes these registers into the DSP48 as well.

XST can implement an adder/subtractor in a DSP48 block if its implementation requires only a single DSP48 resource. If an adder/subtractor macro does not fit in a single DSP48, XST implements the entire macro using slice logic.

Macro implementation on DSP48 blocks is controlled by [DSP Utilization Ratio \(DSP_UTILIZATION_RATIO\)](#) with a default value of **auto**. In **auto** mode, if an adder/subtractor is a part of a more complex macro such as a filter, XST automatically places it on the DSP block. Otherwise, XST implements adders/subtractors using LUTs.

To force XST to push these macros into a DSP48, set the value of `Use DSP Block (USE_DSP48)` to **yes**. When placing an Adder/Subtractor on a DSP block, XST checks to see if it is connected to other DSP chains. If so, XST tries to take advantage of fast DSP connections, and connects this adder/subtractor to the DSP chain using these fast connections. When implementing adders/subtractors on DSP48 blocks, XST performs automatic DSP48 resource control.

To deliver the best performance, XST tries to infer and implement the maximum macro configuration, including as many registers in the DSP48 as possible. Use `Keep (KEEP)` to shape a macro in a specific way. For example, to exclude the first register stage from the DSP48, `Keep (KEEP)` on the outputs of these registers.

Adders, Subtractors, and Adders/Subtractors Related Constraints

- `Use DSP Block (USE_DSP48)`
- `DSP Utilization Ratio (DSP_UTILIZATION_RATIO)`
- `Keep (KEEP)`

Adders, Subtractors, and Adders/Subtractors Reporting

```
=====
*                               HDL Synthesis                               *
=====

Synthesizing Unit <example>.
  Found 8-bit adder for signal <sum> created at line 9.
  Summary:
  inferred 1 Adder/Subtractor(s).
Unit <example> synthesized.

=====
HDL Synthesis Report

Macro Statistics
# Adders/Subtractors      : 1
 8-bit adder              : 1

=====
```

For adders with a carry input, two separate adder macros are initially inferred and reported in HDL Synthesis. They are later grouped together into a single adder macro with carry input during Advanced HDL Synthesis, as reflected in the Advanced HDL Synthesis Report. Likewise, for descriptions of subtractors with borrow input, two separate subtractor macros are initially inferred and later grouped together in Advanced HDL Synthesis. Carry output logic is not explicitly reported.

Adders, Subtractors, and Adders/Subtractors Coding Examples

Coding examples are accurate as of the date of publication. Download updates and other examples from ftp://ftp.xilinx.com/pub/documentation/misc/xstug_examples.zip. Each directory contains a `summary.txt` file listing all examples together with a brief overview.

Unsigned 8-bit Adder VHDL Coding Example

```
--
-- Unsigned 8-bit Adder
--
-- Download: ftp://ftp.xilinx.com/pub/documentation/misc/xstug_examples.zip
-- File: HDL_Coding_Techniques/adders/adders_1.vhd
--
library ieee;
use ieee.std_logic_1164.all;
use ieee.std_logic_unsigned.all;

entity adders_1 is
    port(A,B : in std_logic_vector(7 downto 0);
         SUM : out std_logic_vector(7 downto 0));
end adders_1;

architecture archi of adders_1 is
begin

    SUM <= A + B;

end archi;
```

Unsigned 8-bit Adder with Carry In Verilog Coding Example

```
//
// Unsigned 8-bit Adder with Carry In
//
// Download: ftp://ftp.xilinx.com/pub/documentation/misc/xstug_examples.zip
// File: HDL_Coding_Techniques/adders/adders_2.v
//
module v_adders_2(A, B, CI, SUM);
    input [7:0] A;
    input [7:0] B;
    input CI;
    output [7:0] SUM;

    assign SUM = A + B + CI;
endmodule
```

Multipliers

This section discusses HDL Coding Techniques for Multipliers, and includes:

- [About Multipliers](#)
- [Multipliers Implementation](#)
- [Multipliers Related Constraints](#)
- [Multipliers Reporting](#)
- [Multipliers Coding Examples](#)

About Multipliers

XST infers multiplier macros from product operators found in the HDL source code.

The size of the resulting signal is equal to the sum of the two operand sizes. For example, multiplying a 16-bit signal by an 8-bit signal produces a result on 24 bits. If you do not intend to use all most significant bits of a product, consider reducing the size of operands to the minimum needed, in particular if the multiplier macro will be implemented on slice logic.

Multipliers Implementation

This section discusses Multipliers Implementation, and includes:

- [About Multipliers Implementation](#)
- [DSP Block Implementation](#)
- [Slice Logic Implementation](#)
- [Multiplication to a Constant](#)

About Multipliers Implementation

Multiplier macros can be implemented on the following types of device resources:

- Slice logic
- DSP blocks

Implementing a multiplier on either slice logic or with DSP block resources is controlled by [Use DSP Block \(USE_DSP48\)](#) with a default value of **auto**.

In **auto** mode:

- XST seeks to implement a multiplier on DSP block resources, provided that its operands have a minimal size. The minimal size can vary depending on the targeted device family. Implementation on DSP block can be forced with a value of **yes**.
- XST takes into account actual availability of DSP block resources, in order to avoid overmapping the targeted device. XST may use all DSP resources available on the device. [DSP Utilization Ratio \(DSP_UTILIZATION_RATIO\)](#) forces XST to leave some of those resources unallocated.

To specifically force implementation of a multiplier to slice logic or DSP block, set [Use DSP Block \(USE_DSP48\)](#) to **no** (slice logic) or **yes** (DSP block) on the appropriate signal, entity, or module.

DSP Block Implementation

When implementing a multiplier in a single DSP bloc, XST seeks to take advantage of pipelining capabilities of DSP blocks, pulling up to:

- 2 levels of registers present on the multiplication operands
- 2 levels of registers present behind the multiplication

When a multiplier does not fit in a single DSP block, XST automatically decomposes the macro to implement it using either several DSP blocks, or a hybrid solution involving both DSP blocks and slice logic. The implementation choice is driven by the size of operands, and is aimed at maximizing performance.

The performance of implementations based on multiple DSP blocks can be further improved if XST is instructed to perform pipelining. For this, apply [Multiplier Style \(MULT_STYLE\)](#) with a value of **pipe_block**. XST automatically calculates the ideal number of register stages needed to maximize performance of a given multiplier. If they are available, XST moves them in order to achieve the desired goal. If an insufficient amount of latencies is found, XST issues the following HDL Advisor message during Advance HDL Synthesis. You can insert the suggested amount of additional register stages behind the multiplication.

```
INFO:Xst:2385 - HDL ADVISOR - You can improve the performance of the multiplier Mmult_n0005 by adding 2 register level(s).
```

Use [Keep \(KEEP\)](#) to restrict absorption of registers into DSP blocks. For example, to exclude a register present on an operand of the multiplier from absorption into the DSP block, place [Keep \(KEEP\)](#) on the output of the register.

Slice Logic Implementation

When [Use DSP Block \(USE_DSP48\)](#) is set to **auto**, most multipliers are implemented on DSP block resources, provided that one or more latency stages is available, and within the limits of available DSP blocks on the targeted device. To force a multiplier to be implemented on slice logic, apply [Use DSP Block \(USE_DSP48\)](#) with a value of **no**.

For a multiplier implemented on slice logic, XST looks for pipelining opportunities that may be present around the operator, and moves those registers in order to reduce data path length. Pipelining can therefore greatly increase the performance of large multipliers. The effect of pipelining is similar to Flip-Flop Retiming.

To insert pipeline stages:

1. Describe the registers
2. Place them after the multiplier
3. Set [Multiplier Style \(MULT_STYLE\)](#) to `pipe_lut`

Multiplication to a Constant

XST can select between the following dedicated implementation methods when one argument of the multiplication is a constant. These methods are applicable only if the multiplication is implemented on slice logic.

- Constant Coefficient Multiplier (KCM) implementation
- Canonical Signed Digit (CSD) implementation

The level of optimization obtained with those approaches depends on the characteristics of the constant operand. In some cases, the KCM implementation may not be better than the default slice logic implementation. Therefore XST automatically chooses between KCM or standard multiplier implementation. The CSD method cannot be automatically chosen. Use [Multiplier Style \(MULT_STYLE\)](#) to:

- Force CSD implementation
- Force KCM implementation

XST does not use the KCM or CSD implementations if:

- The multiplication is signed
- One of the operands is larger than 32 bits

Multipliers Related Constraints

- [Use DSP Block \(USE_DSP48\)](#)
- [DSP Utilization Ratio \(DSP_UTILIZATION_RATIO\)](#)
- [Keep \(KEEP\)](#)
- [Multiplier Style \(MULT_STYLE\)](#)

Multipliers Reporting

Multipliers are inferred during HDL Synthesis. Absorption of registers by a multiplier macro can happen during Advanced HDL Synthesis, as shown by the following HDL Synthesis Report.

```

=====
*                               HDL Synthesis                               *
=====

Synthesizing Unit <v_multipliers_11>.
  Found 8-bit register for signal <rB>.
  Found 24-bit register for signal <RES>.
  Found 16-bit register for signal <rA>.
  Found 16x8-bit multiplier for signal <n0005> created at line 20.
  Summary:
  inferred   1 Multiplier(s).
  inferred  48 D-type flip-flop(s).
Unit <v_multipliers_11> synthesized.

=====
HDL Synthesis Report

Macro Statistics
# Multipliers           : 1
  16x8-bit multiplier   : 1
# Registers             : 3
  16-bit register      : 1
  24-bit register      : 1
  8-bit register       : 1

=====

=====
*                               Advanced HDL Synthesis                       *
=====

Synthesizing (advanced) Unit <v_multipliers_11>.
  Found pipelined multiplier on signal <n0005>:
  - 1 pipeline level(s) found in a register connected to the multiplier
macro output.
  Pushing register(s) into the multiplier macro.

  - 1 pipeline level(s) found in a register on signal <rA>.
  Pushing register(s) into the multiplier macro.

  - 1 pipeline level(s) found in a register on signal <rB>.
  Pushing register(s) into the multiplier macro.
INFO:Xst:2385 - HDL ADVISOR - You can improve the performance of the
multiplier Mmult_n0005 by adding 1 register level(s).
Unit <v_multipliers_11> synthesized (advanced).

=====
Advanced HDL Synthesis Report

Macro Statistics
# Multipliers           : 1
  16x8-bit registered multiplier : 1

=====

```

Multipliers Coding Examples

Coding examples are accurate as of the date of publication. Download updates and other examples from ftp://ftp.xilinx.com/pub/documentation/misc/xstug_examples.zip. Each directory contains a summary.txt file listing all examples together with a brief overview.

Unsigned 8x4-bit Multiplier VHDL Coding Example

```
--
-- Unsigned 8x4-bit Multiplier
--
-- Download: ftp://ftp.xilinx.com/pub/documentation/misc/xstug_examples.zip
-- File: HDL_Coding_Techniques/multipliers/multipliers_1.vhd
--
library ieee;
use ieee.std_logic_1164.all;
use ieee.std_logic_unsigned.all;

entity multipliers_1 is
    port(A : in std_logic_vector(7 downto 0);
         B : in std_logic_vector(3 downto 0);
         RES : out std_logic_vector(11 downto 0));
end multipliers_1;

architecture beh of multipliers_1 is
begin
    RES <= A * B;
end beh;
```

Unsigned 32x24-bit Multiplier Verilog Coding Example

```
//
// Unsigned 32x24-bit Multiplier
//     1 latency stage on operands
//     3 latency stage after the multiplication
//
// Download: ftp://ftp.xilinx.com/pub/documentation/misc/xstug_examples.zip
// File: HDL_Coding_Techniques/multipliers/multipliers_11.v
//
module v_multipliers_11 (clk, A, B, RES);

    input        clk;
    input        [31:0] A;
    input        [23:0] B;
    output       [55:0] RES;

    reg          [31:0] rA;
    reg          [23:0] rB;
    reg          [55:0] M   [3:0];

    integer i;

    always @(posedge clk)
    begin
        rA <= A;
        rB <= B;
        M[0] <= rA * rB;
        for (i = 0; i < 3; i = i+1)
            M[i+1] <= M[i];
        end

        assign RES = M[3];
    endmodule
```

Multiply-Add and Multiply-Accumulate

This section discusses HDL Coding Techniques for Multiply-Add and Multiply-Accumulate, and includes:

- [About Multiply-Add and Multiply-Accumulate](#)
- [Multiply-Add and Multiply-Accumulate Implementation](#)
- [Multiply-Add and Multiply-Accumulate Related Constraints](#)
- [Multiply-Add and Multiply-Accumulate Reporting](#)
- [Multiply-Add and Multiply-Accumulate Coding Examples](#)

About Multiply-Add and Multiply-Accumulate

A multiply-add, multiply-sub, multiply-add/sub or multiply-accumulate macro is inferred during Advanced HDL Synthesis by aggregation of a multiplier, an adder/subtractor, and registers previously inferred during the HDL Synthesis phase.

Multiply-Add and Multiply-Accumulate Implementation

An inferred multiply-add or multiply-accumulate macro can be implemented on DSP block resources available on Xilinx® devices. In this case, XST tries to take advantage pipelining capabilities of DSP blocks, pulling up to:

- 2 register stages present on the multiplication operands
- 1 register stage present behind the multiplication
- 1 register stage found behind the adder, subtractor, or adder/subtractor
- 1 register stage on the add/sub selection signal
- 1 register stage on the adder optional carry input

XST can implement a multiply accumulate in a DSP48 block if its implementation requires only a single DSP48 resource. If the macro exceeds the limits of a single DSP48, XST processes it as two separate Multiplier and Accumulate macros, making independent decisions on each macro.

Macro implementation on Xilinx DSP block resources is controlled by [Use DSP Block \(USE_DSP48\)](#) with a default value of **auto**. In **auto** mode, XST implements multiply-add and multiply-accumulate macros taking into account DSP block resources availability in the targeted device. XST may use up to all available DSP resources. [DSP Utilization Ratio \(DSP_UTILIZATION_RATIO\)](#) forces XST to leave some of those resources unallocated.

XST tries to maximize circuit performance by leveraging all pipelining capabilities of DSP blocks, looking for all opportunities to absorb registers into a multiply-add or multiply-accumulate macro. Use [Keep \(KEEP\)](#) to restrict absorption of registers into DSP blocks. For example, to exclude a register present on an operand of the multiplier from absorption into the DSP block, apply [Keep \(KEEP\)](#) on the output of this register.

Multiply-Add and Multiply-Accumulate Related Constraints

- [Use DSP Block \(USE_DSP48\)](#)
- [DSP Utilization Ratio \(DSP_UTILIZATION_RATIO\)](#)
- [Keep \(KEEP\)](#)

Multiply-Add and Multiply-Accumulate Reporting

XST reports the details of inferred multipliers, accumulators and registers at HDL Synthesis. Information about the composition of those macros into a multiply-add or multiply-accumulate macro can be found in the Advanced HDL Synthesis section. Both types of functionalities are accounted for under the unified MAC denomination.

```

=====
*                               HDL Synthesis                               *
=====

Synthesizing Unit <v_multipliers_7a>.
  Found 16-bit register for signal <accum>.
  Found 16-bit register for signal <mult>.
  Found 16-bit adder for signal <n0058> created at line 26.
  Found 8x8-bit multiplier for signal <n0005> created at line 18.
  Summary:
  inferred   1 Multiplier(s).
  inferred   1 Adder/Subtractor(s).
  inferred  32 D-type flip-flop(s).
Unit <v_multipliers_7a> synthesized.

=====
HDL Synthesis Report

Macro Statistics
# Multipliers                : 1
  8x8-bit multiplier         : 1
# Adders/Subtractors        : 1
  16-bit adder               : 1
# Registers                  : 2
  16-bit register            : 2

=====

=====
*                               Advanced HDL Synthesis                       *
=====

Synthesizing (advanced) Unit <v_multipliers_7a>.
The following registers are absorbed into accumulator <accum>: 1 register
on signal <accum>.
Multiplier <Mmult_n0005> in block <v_multipliers_7a> and accumulator
<accum> in block <v_multipliers_7a> are combined into a MAC<Mmac_n0005>.
The following registers are also absorbed by the MAC: <mult> in block
<v_multipliers_7a>.
Unit <v_multipliers_7a> synthesized (advanced).

=====
Advanced HDL Synthesis Report

Macro Statistics
# MACs                        : 1
  8x8-to-16-bit MAC          : 1
=====

```

Multiply-Add and Multiply-Accumulate Coding Examples

Coding examples are accurate as of the date of publication. Download updates and other examples from ftp://ftp.xilinx.com/pub/documentation/misc/xstug_examples.zip. Each directory contains a summary.txt file listing all examples together with a brief overview.

Multiplier Up Accumulate with Register After Multiplication VHDL Coding Example

```
--
-- Multiplier Up Accumulate with Register After Multiplication
--
-- Download: ftp://ftp.xilinx.com/pub/documentation/misc/xstug_examples.zip
-- File: HDL_Coding_Techniques/multipliers/multipliers_7a.vhd
--
library IEEE;
use IEEE.STD_LOGIC_1164.ALL;
use IEEE.STD_LOGIC_UNSIGNED.ALL;

entity multipliers_7a is
    generic (p_width: integer:=8);
    port (clk, reset: in std_logic;
          A, B: in std_logic_vector(p_width-1 downto 0);
          RES: out std_logic_vector(p_width*2-1 downto 0));
end multipliers_7a;

architecture beh of multipliers_7a is
    signal mult, accum: std_logic_vector(p_width*2-1 downto 0);
begin

    process (clk)
    begin
        if (clk'event and clk='1') then
            if (reset = '1') then
                accum <= (others => '0');
                mult <= (others => '0');
            else
                accum <= accum + mult;
                mult <= A * B;
            end if;
        end if;
    end process;

    RES <= accum;

end beh;
```

Multiplier Up Accumulate Verilog Coding Example

```
//
// Multiplier Up Accumulate with:
//   Registered operands
//   Registered multiplication
//   Accumulation
//
// Download: ftp://ftp.xilinx.com/pub/documentation/misc/xstug_examples.zip
// File: HDL_Coding_Techniques/multipliers/multiply_accum_2.v
//
module v_multiply_accum_2 (clk, rst, A, B, RES);

    input        clk;
    input        rst;
    input  [7:0] A, B;
    output [15:0] RES;

    reg  [15:0] mult, accum;
    reg  [7:0]  rA, rB;

    always @(posedge clk)
    begin
        if (rst) begin
            rA    <= 8'b00000000;
            rB    <= 8'b00000000;
            mult  <= 16'b0000000000000000;
            accum <= 16'b0000000000000000;
        end
    else begin
        rA <= A;
        rB <= B;
    end
end
```



```
        mult <= rA * rB;
        accum <= accum + mult;
    end
end

assign RES = accum;

endmodule
```

Extended DSP Inferencing

This section discusses Extended DSP Inferencing, and includes:

- [About Extended DSP Inferencing](#)
- [Symmetric Filters](#)
- [Extended DSP Inferencing Coding Examples](#)

About Extended DSP Inferencing

In addition to finer grained inferencing capabilities of such basic functionalities as latency stages (registers), multiply, multiply-add/subtract, accumulate, multiply-accumulate, and ROMs, XST offers extended inferencing capabilities for describing filters with portable behavioral source code.

XST attempts to understand the existence of any contextual relationship between basic functional elements, and to leverage the powerful features of the DSP block resources available on Xilinx® devices (pipelining stages, cascade paths, pre-adder stage, time multiplexing), for high performance implementation and power reduction.

To optimally leverage DSP block capabilities, use an adder chain instead of an adder tree as the backbone of the filter description. Some HDL language features, such as **for generate** in VHDL, facilitate describing a filter in this way, and ensure maximal readability and scalability of the code.

For more information on DSP block resources and how to leverage them, see:

- *Virtex®-6 FPGA DSP48E1 Slice User Guide*,
http://www.xilinx.com/support/documentation/user_guides/ug369.pdf
- *Spartan®-6 FPGA DSP48A1 Slice User Guide*,
http://www.xilinx.com/support/documentation/user_guides/ug389.pdf

Symmetric Filters

The optional pre-adder capability in Xilinx® DSP Blocks was designed for symmetric filters. If you describe a symmetric coefficients filter, leverage the pre-adder to reduce the number of required DSP blocks by half.

Since XST does not automatically identify and factor symmetric coefficients, Xilinx does not recommend that you describe the filter in a generic manner, and assume that XST will be able to determine the symmetry. You must manually code the factorized form in order for XST to see the pre-adder opportunity and configure DSP blocks accordingly. The **SymSystolicFilter** and **SymTransposeConvFilter** coding examples below show how to do so.

Extended DSP Inferencing Coding Examples

For Extended DSP Inferencing Coding Examples, go to the directory HDL_Coding_Techniques/dsp in ftp://ftp.xilinx.com/pub/documentation/misc/xstug_examples.zip, where each design is stored in its own subdirectory.

DSP Reference Designs

| Design | Language | Description | Devices |
|-----------------------------|-----------------|--|-------------------------|
| PolyDecFilter | VHDL | A polyphase decimating filter | Spartan®-6 Virtex®-6 |
| PolyIntrpFilter | VHDL | A polyphase interpolator filter | Spartan-6 Virtex-6 |
| EvenSymSystFIR | VHDL | A symmetric systolic filter with an even number of taps. Symmetric coefficients have been factorized to take advantage of pre-adder capabilities of DSP blocks. | Virtex-6 |
| OddSymSystFIR | VHDL | A symmetric systolic filter with an odd number of taps. Symmetric coefficients have been factorized to take advantage of pre-adder capabilities of DSP blocks. | Virtex-6 |
| EvenSymTranspConvFIR | VHDL | A symmetric transpose convolution filter with an even number of taps. Symmetric coefficients have been factorized to take advantage of pre-adder capabilities of DSP blocks. | Virtex-6 |
| OddSymTranspConvFIR | VHDL | A symmetric transpose convolution filter with an odd number of taps. Symmetric coefficients have been factorized to take advantage of pre-adder capabilities of DSP blocks. | Virtex-6 |
| AlphaBlender | VHDL Verilog | Implements an alpha blending function, commonly used in image composition, on a single DSP block, taking advantage of the pre-adder, multiplier and post-adder features. | Spartan-6 Virtex-6 |

Resource Sharing

This section discusses Resource Sharing, and includes:

- [About Resource Sharing](#)
- [Resource Sharing Related Constraints](#)
- [Resource Sharing Reporting](#)
- [Resource Sharing Coding Examples](#)

About Resource Sharing

XST features high-level optimizations known as resource sharing. These optimizations are aimed at minimizing the number of arithmetic operators in the design, resulting in reduced device utilization. Resource sharing is based on the principle that two similar arithmetic operators can be implemented with common resources on the device, if their respective outputs are never used simultaneously. Resource sharing usually involves the creation of additional multiplexing logic to select between factorized inputs. Factorization is performed in a way that minimizes this logic.

XST supports resource sharing for:

- Adders
- Subtractors
- Adders/Subtractors
- Multipliers

Resource sharing is enabled by default, no matter which overall optimization strategy you have selected. If circuit performance is your primary optimization goal, and you are unable to meet timing goals, disabling resource sharing may help. An HDL Advisor message informs you when resource sharing has taken place.

Resource Sharing Related Constraints

[Resource Sharing \(RESOURCE_SHARING\)](#)

Resource Sharing Reporting

Arithmetic resource sharing is performed during HDL Synthesis, and is reflected by arithmetic macro statistics, and by a specific HDL Advisor message, as shown below.

```

=====
*                               HDL Synthesis                               *
=====

Synthesizing Unit <resource_sharing_1>.
  Found 8-bit adder for signal <n0017> created at line 18.
  Found 8-bit subtractor for signal <n0004> created at line 18.
  Found 8-bit 2-to-1 multiplexer for signal <RES> created at line 18.
  Summary:
  inferred   1 Adder/Subtractor(s).
  inferred   1 Multiplexer(s).
Unit <resource_sharing_1> synthesized.

=====
HDL Synthesis Report

Macro Statistics
# Adders/Subtractors           : 1
  8-bit addsub                 : 1
# Multiplexers                 : 1
  8-bit 2-to-1 multiplexer     : 1

=====
INFO:Xst:1767 - HDL ADVISOR - Resource sharing has identified that some
arithmetic operations in this design can share the same physical
resources for reduced device utilization.
For improved clock frequency you may try to disable resource sharing.

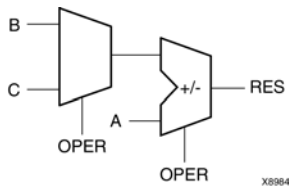
```

Resource Sharing Coding Examples

Coding examples are accurate as of the date of publication. Download updates and other examples from ftp://ftp.xilinx.com/pub/documentation/misc/xstug_examples.zip. Each directory contains a `summary.txt` file listing all examples together with a brief overview.

For the VHDL and Verilog examples shown below, XST gives the following solution.

Resource Sharing Diagram



Resource Sharing VHDL Coding Example

```
--
-- Resource Sharing
--
-- Download: ftp://ftp.xilinx.com/pub/documentation/misc/xstug_examples.zip
-- File: HDL_Coding_Techniques/resource_sharing/resource_sharing_1.vhd
--
library ieee;
use ieee.std_logic_1164.all;
use ieee.std_logic_unsigned.all;

entity resource_sharing_1 is
    port(A, B, C : in std_logic_vector(7 downto 0);
         OPER    : in std_logic;
         RES     : out std_logic_vector(7 downto 0));
end resource_sharing_1;

architecture archi of resource_sharing_1 is
begin

    RES <= A + B when OPER='0' else A - C;

end archi;
```

Resource Sharing Verilog Coding Example

```
//
// Resource Sharing
//
// Download: ftp://ftp.xilinx.com/pub/documentation/misc/xstug_examples.zip
// File: HDL_Coding_Techniques/resource_sharing/resource_sharing_1.v
//
module v_resource_sharing_1 (A, B, C, OPER, RES);
    input  [7:0] A, B, C;
    input  OPER;
    output [7:0] RES;
    wire  [7:0] RES;

    assign RES = !OPER ? A + B : A - C;

endmodule
```

RAMs

This section discusses HDL Coding Techniques for RAMs, and includes:

- [About RAMs](#)
- [Distributed RAMs vs. Block RAMs](#)
- [RAMS Supported Features](#)
- [RAMs HDL Coding Guidelines](#)
- [Block RAMs Optimization Strategies](#)
- [Distributed RAMs Pipelining](#)
- [RAMs Related Constraints](#)
- [RAMs Reporting](#)
- [RAMs Coding Examples](#)

About RAMs

XST features extended RAM inferencing capabilities that can spare you from having to manually instantiate Xilinx® RAM primitives. Those capabilities save time and keep HDL source code portable and scalable.

Distributed RAMs vs. Block RAMs

RAM resources on Virtex®-6 and Spartan®-6 devices are of two types:

- Distributed RAMs, implemented on properly configured slice logic
- Dedicated block RAM resources

For both types of resources, data is synchronously written into the RAM. The key difference between distributed and block RAMs lies in the way data is read from the RAM:

- Asynchronously in the case of distributed RAM
- Synchronously in the case of block RAM

XST is capable of taking advantage of both types of resources. The implementation choice may depend on:

- The exact characteristics of the RAM you have described in HDL
- Whether you have forced a specific implementation style
- Availability of block RAM resources on the targeted device.

However, considering the key difference mentioned above:

- RAM descriptions with asynchronous read will necessarily be implemented with distributed RAM resources. They cannot be implemented in block RAM.
- RAM descriptions with synchronous read generally go into block RAM. However, if you have so requested, or for device resource utilization considerations, they can also be implemented using distributed RAM plus additional registers. Use [RAM Style \(RAM_STYLE\)](#) to control RAM implementation.

For more information about RAM resources on Virtex-6 and Spartan-6 devices, see:

- [Virtex-6 FPGA Memory Resources User Guide](#)
- Distributed RAM topics in the [Virtex-6 FPGA Configurable Logic Block User Guide](#)
- [Spartan-6 FPGA Block RAM Resources User Guide](#)
- Distributed RAM topics in the [Spartan-6 FPGA Configurable Logic Block User Guide](#)

RAMs Supported Features

XST RAM inferencing capabilities include:

- Support for any size and data width. XST automatically handles mapping the RAM description to one or several RAM primitives.
- Single-port, simple-dual port, true dual port
- Up to two write ports
- Multiple read ports
Provided that only one write port is described, XST can identify RAM descriptions with two or more read ports that access the RAM contents at addresses different from the write address.
- Write enable
- RAM enable (block RAM)
- Data output reset (block RAM)
- Optional output register (block RAM)
- Byte-Wide Write Enable (block RAM)
- Each RAM port can be controlled by its distinct clock, RAM enable, write enable, and data output reset.
- Initial contents specification

The following block RAM features are not supported:

- Parity bits
XST can use the parity bits, available on certain block RAM primitives, as regular data bits, in order to accommodate the described data widths. However, XST does not provide any capability to automatically generate parity control logic, and use those parity bit positions for their intended purpose.
- RAMs with asymmetric ports
Creating asymmetry between the primary and dual port is one of the powerful features of Xilinx® block RAMs. This version of XST does not provide inference support for such capability.

RAMs HDL Coding Guidelines

This section discusses RAMs HDL Coding Guidelines, and includes:

- [Modelling](#)
- [Describing Read Access](#)
- [Block RAM Read/Write Synchronization](#)
- [Re-Settable Data Outputs \(Block RAM\)](#)
- [Byte-Write Enable Support \(Block RAM\)](#)
- [Asymmetric Ports Support](#)
- [RAM Initial Contents](#)

Modelling

RAM is usually modelled with an array of array object.

Modelling a RAM in VHDL

To describe a RAM with a *single* write port, use a VHDL *signal* as follows:

```
type ram_type is array (0 to 255) of std_logic_vector (15 downto 0);  
signal RAM : ram_type;
```

To describe a RAM with *two* write ports in VHDL, use a *shared variable* instead of a signal.

```
type ram_type is array (0 to 255) of std_logic_vector (15 downto 0);  
shared variable RAM : ram_type;
```

XST rejects an attempt to use a *signal* to model a RAM with *two* write ports. Such a model does not behave correctly in simulation tools.

Caution! Shared variables are an extension of variables, allowing inter-process communication. Use them with even greater caution than variables, from which they inherit all basic characteristics. Be aware that:

- The order in which items in a sequential process are described can condition the functionality being modelled.
- Two or more processes making assignments to a shared variable in the same simulation cycle can lead to unpredictable results.

Although valid and accepted by XST, Xilinx® does not recommend using a shared variable if the RAM has only one write port. Use a signal instead.

Modelling a RAM in Verilog

```
reg [15:0] RAM [0:255];
```

Describing Write Access

This section discusses Describing Write Access, and includes:

- [Describing Write Access in VHDL](#)
- [Describing Write Access in Verilog](#)

Describing Write Access in VHDL

For a RAM modelled with a VHDL signal, write into the RAM is typically described as follows:

```
process (clk)
begin
  if rising_edge(clk) then
    if we = '1' then
      RAM(conv_integer(addr)) <= di;
    end if;
  end if;
end process;
```

The address signal is typically declared as follows:

```
signal addr : std_logic_vector(ADDR_WIDTH-1 downto 0);
```

Caution! In VHDL, you must include **std_logic_unsigned** in order to use the **conv_integer** conversion function. Although **std_logic_signed** also includes a **conv_integer** function, Xilinx® does not recommend using it in this instance. If you do so, XST assumes that address signals have a signed representation, and ignores all negative values. This can result in an inferred RAM of half the desired size. If you need signed data representation in some parts of the design, describe them in units separate from the RAMs.

If the RAM has two write ports and is instead modelled with a VHDL shared variable, a typical write description should look instead as follows:

```
process (clk)
begin
  if rising_edge(clk) then
    if we = '1' then
      RAM(conv_integer(addr)) := di;
    end if;
  end if;
end process;
```

Describing Write Access in Verilog

Write access is described as follows:

```
always @ (posedge clk)
begin
    if (we)
        do <= RAM[addr];
end
```

Describing Read Access

This section discusses Describing Read Access, and includes:

- [Describing Read Access in VHDL](#)
- [Describing Read Access in Verilog](#)

Describing Read Access in VHDL

A RAM is typically read-accessed at a given address location as follows:

```
do <= RAM( conv_integer(addr));
```

Whether the above statement is a simple concurrent statement, or is described in a sequential process, will determine if the read is asynchronous or synchronous, and if the RAM can be implemented using block RAM resources, or distributed RAM resources on Xilinx® devices. For a RAM to be implemented on block resources, you will typically write:

```
process (clk)
begin
    do <= RAM( conv_integer(addr));
end process;
```

For more information, see Block RAM Read/Write Synchronization below.

Describing Read Access in Verilog

An *asynchronous* read is described with an **assign** statement:

```
assign do = RAM[addr];
```

A *synchronous* read is described with a sequential **always** block:

```
always @ (posedge clk)
begin
    do <= RAM[addr];
end
```

For more information, see Block RAM Read/Write Synchronization below.

Block RAM Read/Write Synchronization

Block RAM resources can be configured to provide the following synchronization modes for a given read-and-write port:

- Read-first
Old contents are read before new contents are loaded.
- Write-first (also known as read-through):
New contents are immediately made available for reading.
- No-change
Data output does not change while new contents are loaded into RAM.

XST provides inference support for all of these synchronization modes. You can describe a different synchronization mode for each port of the RAM.

VHDL Block RAM Read/Write Synchronization Coding Example One

```
process (clk)
begin
    if (clk'event and clk = '1') then
        if (we = '1') then
            RAM(conv_integer(addr)) <= di;
        end if;
        do <= RAM(conv_integer(addr));
    end if;
end process;
```

VHDL Block RAM Read/Write Synchronization Coding Example Two

The following VHDL coding example describes a write-first synchronized port.

```
process (clk)
begin
    if (clk'event and clk = '1') then
        if (we = '1') then
            RAM(conv_integer(addr)) <= di;
            do <= di;
        else
            do <= RAM(conv_integer(addr));
        end if;
    end if;
end process;
```

VHDL Block RAM Read/Write Synchronization Coding Example Three

The following VHDL coding example describes a no-change synchronization.

```
process (clk)
begin
    if (clk'event and clk = '1') then
        if (we = '1') then
            RAM(conv_integer(addr)) <= di;
        else
            do <= RAM(conv_integer(addr));
        end if;
    end if;
end process;
```

VHDL Block RAM Read/Write Synchronization Coding Example Four

Caution! If you model a dual-write RAM with a VHDL shared variable, be aware that the synchronization described below is not read-first, but write-first.

```
process (clk)
begin
    if (clk'event and clk = '1') then
        if (we = '1') then
            RAM(conv_integer(addr)) := di;
        end if;
        do <= RAM(conv_integer(addr));
    end if;
end process;
```

VHDL Block RAM Read/Write Synchronization Coding Example Five

To describe a read-first synchronization, reorder the process body.

```
process (clk)
begin
    if (clk'event and clk = '1') then
        do <= RAM(conv_integer(addr));
        if (we = '1') then
            RAM(conv_integer(addr)) := di;
        end if;
    end if;
end process;
```

Re-Settable Data Outputs (Block RAM)

Optionally, you can describe a reset to any constant value of synchronously read data. XST recognizes it and takes advantage of the synchronous set/reset feature of block RAMs. For a RAM port with read-first synchronization, describe the reset functionality as follows.

```
process (clk)
begin
    if clk'event and clk = '1' then
        if en = '1' then -- optional RAM enable
            if we = '1' then -- write enable
                ram(conv_integer(addr)) <= di;
            end if;
            if rst = '1' then -- optional dataout reset
                do <= "000111101";
            else
                do <= ram(conv_integer(addr));
            end if;
        end if;
    end if;
end process;
```

Byte-Write Enable Support (Block RAM)

The byte-wide write enable feature available with block RAM resources offers advanced control for writing data into RAM. It allows you to separately control which portions of 8 bits of an addressed memory location can be written to.

From an HDL modelization and inference standpoint, the concept can be further abstracted to the notion of column-based write. The RAM can be seen as a collection of equal size columns. During a write cycle, you separately control writing into each of these columns.

XST provides inference capabilities, allowing you to take advantage of the byte write enable block RAM feature. Both single and dual-port descriptions are allowed. In this release, the byte write enable functionality is modelled with two processes:

- A combinatorial process that describes which data is loaded and read for each byte. In particular, the write enable functionality is described there, and not in the main sequential process.
- A sequential process that describes the write and read synchronization.

Describe this functionality with a read-first mode as follows:

```

reg [2*DI_WIDTH-1:0] RAM [SIZE-1:0];
reg [DI_WIDTH-1:0] di0, di1;

always @(we or di or addr or RAM)
begin
    if (we[1])
        di1 = di[2*DI_WIDTH-1:1*DI_WIDTH];
    else
        di1 = RAM[addr][2*DI_WIDTH-1:1*DI_WIDTH];

    if (we[0])
        di0 = di[DI_WIDTH-1:0];
    else
        di0 = RAM[addr][DI_WIDTH-1:0];
end

always @(posedge clk)
begin
    do <= RAM[addr];
    RAM[addr]<={di1,di0};
end

```

The following variant describes a write-first mode instead.

```

reg [2*DI_WIDTH-1:0] RAM [SIZE-1:0];
reg [DI_WIDTH-1:0] di0, di1;
reg [DI_WIDTH-1:0] do0, do1;

always @(we or di or addr or RAM)
begin
    if (we[1])
        di1 = di[2*DI_WIDTH-1:1*DI_WIDTH];
        do1 = di[2*DI_WIDTH-1:1*DI_WIDTH];
    else begin
        di1 = RAM[addr][2*DI_WIDTH-1:1*DI_WIDTH];
        do1 = RAM[addr][2*DI_WIDTH-1:1*DI_WIDTH];
    end

    if (we[0])
        di0 <= di[DI_WIDTH-1:0];
        do0 <= di[DI_WIDTH-1:0];
    else begin
        di0 <= RAM[addr][DI_WIDTH-1:0];
        do0 <= RAM[addr][DI_WIDTH-1:0];
    end
end

always @(posedge clk)
begin
    do <= {do1,do0};
    RAM[addr]<={di1,di0};
end

```

To configure RAM in no-change mode, write instead:

```
reg    [2*DI_WIDTH-1:0] RAM [SIZE-1:0];
reg    [DI_WIDTH-1:0]   di0, di1;
reg    [DI_WIDTH-1:0]   do0, do1;

always @(we or di or addr or RAM)
begin
    if (we[1])
        di1 = di[2*DI_WIDTH-1:1*DI_WIDTH];
    else begin
        di1 = RAM[addr][2*DI_WIDTH-1:1*DI_WIDTH];
        do1 = RAM[addr][2*DI_WIDTH-1:1*DI_WIDTH];
    end

    if (we[0])
        di0 <= di[DI_WIDTH-1:0];
    else begin
        di0 <= RAM[addr][DI_WIDTH-1:0];
        do0 <= RAM[addr][DI_WIDTH-1:0];
    end
end

always @(posedge clk)
begin
    do <= {do1,do0};
    RAM[addr]<={di1,di0};
end
```

Asymmetric Ports Support

Block RAM resources can be configured to have asymmetric ports. However, XST does not provide inference support for port asymmetry.

RAM Initial Contents

This section discusses RAM Initial Contents, and includes:

- [Specifying Initial Contents in the HDL Source Code](#)
- [Specifying Initial Contents in an External Data File](#)

Specifying Initial Contents in the HDL Source Code

In VHDL, use the signal default value mechanism to describe initial contents of the RAM VHDL directly in the HDL source code.

VHDL Coding Example One

```
type ram_type is array (0 to 31) of std_logic_vector(19 downto 0);
signal RAM : ram_type :=
(
    X"0200A", X"00300", X"08101", X"04000", X"08601", X"0233A", X"00300", X"08602",
    X"02310", X"0203B", X"08300", X"04002", X"08201", X"00500", X"04001", X"02500",
    X"00340", X"00241", X"04002", X"08300", X"08201", X"00500", X"08101", X"00602",
    X"04003", X"0241E", X"00301", X"00102", X"02122", X"02021", X"0030D", X"08201"
);
```

If all addressable words are to be initialized to the same value, you can write:

```
type ram_type is array (0 to 127) of std_logic_vector (15 downto 0);
signal RAM : ram_type := (others => "0000111100110101");
```

If all bit positions in the RAM initialize to the same value, you can write:

```
type ram_type is array (0 to 127) of std_logic_vector (15 downto 0);
signal RAM : ram_type := (others => (others => '1'));
```

VHDL Coding Example Two

You can also selectively define particular values for specific address positions or ranges.

```
type ram_type is array (255 downto 0) of std_logic_vector (15 downto 0);
signal RAM : ram_type:= (
    196 downto 110 => X"B8B8",
    100             => X"FEFC",
    99 downto 0    => X"8282",
    others         => X"3344");
```

Verilog Coding Example One

In Verilog, use an initial block.

```
reg [19:0] ram [31:0];

initial begin
    ram[31] = 20'h0200A; ram[30] = 20'h00300; ram[39] = 20'h08101;
    (...)
    ram[2] = 20'h02341; ram[1] = 20'h08201; ram[0] = 20'h0400D;
end
```

Verilog Coding Example Two

If all addressable words initialize to the same value, you can also write:

```
Reg [DATA_WIDTH-1:0] ram [DEPTH-1:0];

integer i;
initial for (i=0; i<DEPTH; i=i+1) ram[i] = 0;
```

Verilog Coding Example Three

You can also initialize specific address positions or address ranges.

```
reg [15:0] ram [255:0];

integer index;
initial begin
    for (index = 0 ; index <= 97 ; index = index + 1)
        ram[index] = 16'h8282;
    ram[98] <= 16'h1111;
    ram[99] <= 16'h7778;
    for (index = 100 ; index <= 255 ; index = index + 1)
        ram[index] = 16'hB8B8;
end
```

Specifying Initial Contents in an External Data File

Use the file read function in the HDL source code to load the initial contents from an external data file.

- The external data file is an ASCII text file with any name.
- Each line in the data file describes the initial contents at an address position in the RAM.
- There must be as many lines in the file as there are rows in the RAM array. An insufficient number of lines is flagged with a warning.
- The addressable position related to a given line is defined by the direction of the primary range of the signal modelling the RAM.
- RAM contents can be represented in either binary or hexadecimal. You cannot mix both.
- The file cannot contain any other contents, such as comments.

Following is an example of the contents of a file initializing an 8 x 32-bit RAM with binary values:

```
00001111000011110000111100001111
01001010001000001100000010000100
00000000001111100000000001000001
11111101010000011100010000100100
00001111000011110000111100001111
01001010001000001100000010000100
00000000001111100000000001000001
11111101010000011100010000100100
```

VHDL Coding Example

Load this data as follows in VHDL:

```
type RamType is array(0 to 127) of bit_vector(31 downto 0);

impure function InitRamFromFile (RamFileName : in string) return RamType is
    FILE RamFile : text is in RamFileName;
    variable RamFileLine : line;
    variable RAM : RamType;
begin
    for I in RamType'range loop
        readline (RamFile, RamFileLine);
        read (RamFileLine, RAM(I));
    end loop;
    return RAM;
end function;

signal RAM : RamType := InitRamFromFile("rams_20c.data");
```

Verilog Coding Example

In Verilog, use a `$readmemb` or `$readmemh` system task to load respectively binary-formatted or hexadecimal data.

```
reg [31:0] ram [0:63];

initial begin
    $readmemb("rams_20c.data", ram, 0, 63);
end
```

For more information, see:

- [VHDL File Type Support in Chapter 3, XST VHDL Language Support](#)
- [Chapter 5, XST Behavioral Verilog Support](#)

Block RAM Optimization Strategies

This section discusses Block RAM Optimization Strategies, and includes:

- [About Block RAM Optimization Strategies](#)
- [Block RAM Performance](#)
- [Block RAM Device Utilization](#)
- [Block RAM Power](#)
- [Rules for Small RAMs](#)
- [Mapping Logic and Finite State Machine \(FSM\) Components to Block RAM](#)
- [Block RAM Resource Management](#)
- [Block RAM Packing](#)

About Block RAM Optimization Strategies

When an inferred RAM macro does not fit in a single block RAM, you may consider various strategies to partition it onto several block RAMs. Depending on your choice, the number of involved block RAM primitives and the amount of surrounding logic will vary, leading to different optimization trade-offs between performance, device utilization, and power.

Block RAM Performance

The default block RAM implementation strategy is aimed at maximizing performance. As a result, for a given RAM size requiring multiple block RAM primitives, XST does not seek to achieve the minimal theoretical number of block RAM primitives.

Implementing small RAMs on block resources often does not lead to optimal performance. Furthermore, block RAM resources can be used for those small RAMs at the expense of much larger macros. In order to achieve better design performance, XST implements small RAMs on distributed resources. For more information, see [Rules for Small RAMs](#).

Block RAM Device Utilization

XST does not support area-oriented block RAM implementation. Xilinx® recommends the CORE Generator™ software for area-oriented implementation. For more information on RAM implementation, see [Chapter 8, XST FPGA Optimization](#).

Block RAM Power

XST can reduce RAM power dissipation. The techniques it uses are part of a larger set of optimizations enabled by the [Power Reduction \(POWER\)](#) synthesis option. When enabled, power reduction is sought in conjunction with both Area and Speed optimization goals. If your primary concern is power reduction, and you are willing to give up some degree of speed or area optimization, manually apply [RAM Style \(RAM_STYLE\)](#) with a value of `BLOCK_POWER2`.

Rules for Small RAMs

In order to save block RAM resources, XST does not attempt to implement small memories on block RAM. The threshold can vary depending on:

- The targeted device family
- The number of addressable data words (memory depth)
- The total number of memory bits (number of addressable data words * data word width)

Inferred RAMs are implemented on block RAM resources when the criteria in the following table are met.

Criteria for Implementing Inferred RAMs on Block RAM Resources

| Devices | Depth | Depth * Width |
|------------|--------------|---------------|
| Spartan®-6 | >= 127 words | > 512 bits |
| Virtex®-6 | >= 127 words | > 512 bits |

Use [RAM Style \(RAM_STYLE\)](#) to override the criteria shown in the table above and force implementation of small RAMs and ROMs on block resources.

Mapping Logic and Finite State Machine (FSM) Components to Block RAM

In addition to RAM inference capabilities, XST can also be instructed to implement the following to block RAM resources:

- Finite State Machine (FSM) components
For more information, see [Finite State Machine \(FSM\) Components](#) in [Chapter 7, XST HDL Coding Techniques](#).
- General logic
For more information, see [Mapping Logic to Block RAM](#) in [Chapter 8, XST FPGA Optimization](#).

Block RAM Resource Management

XST takes into account actual availability of block RAM resources in order to avoid overmapping the targeted device. XST may use up to all block RAM resources available on the device. [BRAM Utilization Ratio \(BRAM_UTILIZATION_RATIO\)](#) forces XST to leave some of those resources unallocated.

XST determines the actual amount of block RAM resources available for inferred RAM macros after subtracting the following amounts from the overall pool theoretically defined by [BRAM Utilization Ratio \(BRAM_UTILIZATION_RATIO\)](#)

- Block RAMs that you have instantiated.
- RAMs and ROMs that you forced to block RAM implementation with [RAM Style \(RAM_STYLE\)](#) or [ROM Style \(ROM_STYLE\)](#). XST honors those constraints before attempting to implement other inferred RAMs to block resources.
- Block RAMs resulting from the mapping of logic or Finite State Machine (FSM) components to [Map Logic on BRAM \(BRAM_MAP\)](#).

The XST block RAM allocation strategy also favors the largest inferred RAMs for block implementation, allowing smaller RAMs to go to block resources if there are any left on the device.

Although XST avoids it in most cases, block RAM over-utilization can happen if the sum of block RAMs created from the three cases listed above exceeds available resources.

Block RAM Packing

XST can attempt to implement more RAMs on block resources by trying to pack small single-port RAMs together. XST can implement two single-port RAMs in a single dual-port block RAM primitive, where each port manages a physically distinct part of the block RAM. This optimization is controlled by [Automatic BRAM Packing \(AUTO_BRAM_PACKING\)](#). It is disabled by default.

Distributed RAM Pipelining

If provided with an adequate number latency stages, XST can pipeline RAMs implemented on distributed resources for increased performance. The effect of pipelining is similar to Flip-Flop Retiming. To insert pipeline stages:

1. Describe the necessary amount of registers in the HDL source code.
2. Place them after the RAM.
3. Set [RAM Style \(RAM_STYLE\)](#) to `pipe_distributed`.

XST automatically calculates the ideal number of register stages needed to maximize operating frequency. If the amount of registers available is less, an HDL Advisor message is issued during Advanced HDL Synthesis informing you of the number of additional stages needed to achieve the optimum.

XST cannot pipeline distributed RAMs if the registers you describe have asynchronous set/reset logic. XST can pipeline RAMs if registers contain synchronous reset signals.

RAMs Related Constraints

- [RAM Extraction \(RAM_EXTRACT\)](#)
- [RAM Style \(RAM_STYLE\)](#)
- [ROM Extraction \(ROM_EXTRACT\)](#)
- [ROM Style \(ROM_STYLE\)](#)
- [BRAM Utilization Ratio \(BRAM_UTILIZATION_RATIO\)](#)
- [Automatic BRAM Packing \(AUTO_BRAM_PACKING\)](#)

XST accepts [LOC](#) and [RLOC](#) on inferred RAMs that can be implemented in a single block RAM primitive. [LOC](#) and [RLOC](#) are propagated to the NGC netlist.

RAM Reporting

XST provides detailed information on inferred RAMs, including size, synchronization and control signals. As shown in the following log example, RAM recognition consists of two steps:

- During HDL Synthesis, XST recognizes the presence of the memory structure in the HDL source code.
- During Advanced HDL Synthesis, XST acquires a more accurate picture of each RAM situation, and decides to implement them on distributed or block RAM resources, taking into account resource availability.

An inferred block RAM is generally reported as follows.

```

=====
*                               HDL Synthesis                               *
=====

Synthesizing Unit <rams_27>.
  Found 16-bit register for signal <do>.
  Found 128x16-bit dual-port <RAM Mram_RAM> for signal <RAM>.
  Summary:
  inferred  1 RAM(s).
  inferred 16 D-type flip-flop(s).
Unit <rams_27> synthesized.

=====
HDL Synthesis Report

Macro Statistics
# RAMs                : 1
 128x16-bit dual-port RAM : 1
# Registers           : 1
 16-bit register      : 1

=====

*                               Advanced HDL Synthesis                               *
=====

Synthesizing (advanced) Unit <rams_27>.
INFO:Xst - The <RAM Mram_RAM> will be implemented as a BLOCK RAM,
absorbing the following register(s): <do>
-----
| ram_type           | Block                               |           |
-----
| Port A             |                                     |           |
|   aspect ratio    | 128-word x 16-bit                 |           |
|   mode            | read-first                         |           |
|   clkA            | connected to signal <clk>          | rise     |
|   weA             | connected to signal <we>           | high    |
|   addrA           | connected to signal <waddr>        |           |
|   diA             | connected to signal <di>           |           |
-----
| optimization      | speed                              |           |
-----
| Port B             |                                     |           |
|   aspect ratio    | 128-word x 16-bit                 |           |
|   mode            | write-first                       |           |
|   clkB            | connected to signal <clk>          | rise     |
|   enB             | connected to signal <re>           | high    |
|   addrB           | connected to signal <raddr>        |           |
|   doB             | connected to signal <do>           |           |
-----
| optimization      | speed                              |           |
-----

Unit <rams_27> synthesized (advanced).

=====
Advanced HDL Synthesis Report

Macro Statistics
# RAMs                : 1
 128x16-bit dual-port block RAM : 1

=====

```

Pipelining of a distributed RAM results in the following specific reporting in the Advanced HDL Synthesis section.

```
Synthesizing (advanced) Unit <v_rams_22>.
Found pipelined ram on signal <n0006>:
- 1 pipeline level(s) found in a register on signal <n0006>.
Pushing register(s) into the ram macro.
INFO:Xst:2390 - HDL ADVISOR - You can improve the performance of the ram Mram_RAM
by adding 1 register level(s) on output signal n0006.
Unit <v_rams_22> synthesized (advanced).
```

RAMs Coding Examples

Coding examples are accurate as of the date of publication. Download updates and other examples from ftp://ftp.xilinx.com/pub/documentation/misc/xstug_examples.zip. Each directory contains a `summary.txt` file listing all examples together with a brief overview.

Single-Port RAM with Asynchronous Read (Distributed RAM) VHDL Coding Example

```
--
-- Single-Port RAM with Asynchronous Read (Distributed RAM)
--
-- Download: ftp://ftp.xilinx.com/pub/documentation/misc/xstug_examples.zip
-- File: HDL_Coding_Techniques/rams/rams_04.vhd
--
library ieee;
use ieee.std_logic_1164.all;
use ieee.std_logic_unsigned.all;

entity rams_04 is
    port (clk : in std_logic;
          we : in std_logic;
          a  : in std_logic_vector(5 downto 0);
          di : in std_logic_vector(15 downto 0);
          do : out std_logic_vector(15 downto 0));
end rams_04;

architecture syn of rams_04 is
    type ram_type is array (63 downto 0) of std_logic_vector (15 downto 0);
    signal RAM : ram_type;
begin

    process (clk)
    begin
        if (clk'event and clk = '1') then
            if (we = '1') then
                RAM(conv_integer(a)) <= di;
            end if;
        end if;
    end process;

    do <= RAM(conv_integer(a));

end syn;
```

Dual-Port RAM with Asynchronous Read (Distributed RAM) Verilog Coding Example

```
//
// Dual-Port RAM with Asynchronous Read (Distributed RAM)
//
// Download: ftp://ftp.xilinx.com/pub/documentation/misc/xstug_examples.zip
// File: HDL_Coding_Techniques/rams/rams_09.v
//
module v_rams_09 (clk, we, a, dpra, di, spo, dpo);

    input  clk;
    input  we;
    input  [5:0] a;
    input  [5:0] dpra;
    input  [15:0] di;
    output [15:0] spo;
    output [15:0] dpo;
    reg    [15:0] ram [63:0];

    always @(posedge clk) begin
        if (we)
            ram[a] <= di;
        end

        assign spo = ram[a];
        assign dpo = ram[dpra];
    end

endmodule
```

Single-Port Block RAM Read-First Mode VHDL Coding Example

```
--
-- Single-Port Block RAM Read-First Mode
--
-- Download: ftp://ftp.xilinx.com/pub/documentation/misc/xstug_examples.zip
-- File: HDL_Coding_Techniques/rams/rams_01.vhd
--
library ieee;
use ieee.std_logic_1164.all;
use ieee.std_logic_unsigned.all;

entity rams_01 is
    port (clk : in std_logic;
          we  : in std_logic;
          en  : in std_logic;
          addr : in std_logic_vector(5 downto 0);
          di  : in std_logic_vector(15 downto 0);
          do  : out std_logic_vector(15 downto 0));
end rams_01;

architecture syn of rams_01 is
    type ram_type is array (63 downto 0) of std_logic_vector (15 downto 0);
    signal RAM: ram_type;
begin

    process (clk)
    begin
        if clk'event and clk = '1' then
            if en = '1' then
                if we = '1' then
                    RAM(conv_integer(addr)) <= di;
                end if;
                do <= RAM(conv_integer(addr)) ;
            end if;
        end if;
    end process;

end syn;
```

Single-Port Block RAM Read-First Mode Verilog Coding Example

```
//  
// Single-Port Block RAM Read-First Mode  
//  
// Download: ftp://ftp.xilinx.com/pub/documentation/misc/xstug_examples.zip  
// File: HDL_Coding_Techniques/rams/rams_01.v  
//  
module v_rams_01 (clk, en, we, addr, di, do);  
  
    input  clk;  
    input  we;  
    input  en;  
    input  [5:0] addr;  
    input  [15:0] di;  
    output [15:0] do;  
    reg    [15:0] RAM [63:0];  
    reg    [15:0] do;  
  
    always @(posedge clk)  
    begin  
        if (en)  
            begin  
                if (we)  
                    RAM[addr]<=di;  
                do <= RAM[addr];  
            end  
        end  
    end  
endmodule
```

Single-Port Block RAM Write-First Mode VHDL Coding Example

```
--
-- Single-Port Block RAM Write-First Mode (recommended template)
--
-- Download: ftp://ftp.xilinx.com/pub/documentation/misc/xstug_examples.zip
-- File: HDL_Coding_Techniques/rams/rams_02a.vhd
--
library ieee;
use ieee.std_logic_1164.all;
use ieee.std_logic_unsigned.all;

entity rams_02a is
    port (clk : in std_logic;
          we : in std_logic;
          en : in std_logic;
          addr : in std_logic_vector(5 downto 0);
          di : in std_logic_vector(15 downto 0);
          do : out std_logic_vector(15 downto 0));
end rams_02a;

architecture syn of rams_02a is
    type ram_type is array (63 downto 0)
        of std_logic_vector (15 downto 0);
    signal RAM : ram_type;
begin

    process (clk)
    begin
        if clk'event and clk = '1' then
            if en = '1' then
                if we = '1' then
                    RAM(conv_integer(addr)) <= di;
                    do <= di;
                else
                    do <= RAM( conv_integer(addr));
                end if;
            end if;
        end if;
    end process;

end syn;
```

Single-Port Block RAM Write-First Mode Verilog Coding Example

```
//  
// Single-Port Block RAM Write-First Mode (recommended template)  
//  
// Download: ftp://ftp.xilinx.com/pub/documentation/misc/xstug_examples.zip  
// File: HDL_Coding_Techniques/rams/rams_02a.v  
//  
module v_rams_02a (clk, we, en, addr, di, do);  
  
    input  clk;  
    input  we;  
    input  en;  
    input  [5:0] addr;  
    input  [15:0] di;  
    output [15:0] do;  
    reg    [15:0] RAM [63:0];  
    reg    [15:0] do;  
  
    always @(posedge clk)  
    begin  
        if (en)  
            begin  
                if (we)  
                    begin  
                        RAM[addr] <= di;  
                        do <= di;  
                    end  
                else  
                    do <= RAM[addr];  
                end  
            end  
        end  
    end  
endmodule
```

Single-Port Block RAM No-Change Mode VHDL Coding Example

```
--
-- Single-Port Block RAM No-Change Mode
--
-- Download: ftp://ftp.xilinx.com/pub/documentation/misc/xstug_examples.zip
-- File: HDL_Coding_Techniques/rams/rams_03.vhd
--
library ieee;
use ieee.std_logic_1164.all;
use ieee.std_logic_unsigned.all;

entity rams_03 is
    port (clk : in std_logic;
          we : in std_logic;
          en : in std_logic;
          addr : in std_logic_vector(5 downto 0);
          di : in std_logic_vector(15 downto 0);
          do : out std_logic_vector(15 downto 0));
end rams_03;

architecture syn of rams_03 is
    type ram_type is array (63 downto 0) of std_logic_vector (15 downto 0);
    signal RAM : ram_type;
begin

    process (clk)
    begin
        if clk'event and clk = '1' then
            if en = '1' then
                if we = '1' then
                    RAM(conv_integer(addr)) <= di;
                else
                    do <= RAM( conv_integer(addr));
                end if;
            end if;
        end if;
    end process;

end syn;
```


Single-Port Block RAM No-Change Mode Verilog Coding Example

```
//  
// Single-Port Block RAM No-Change Mode  
//  
// Download: ftp://ftp.xilinx.com/pub/documentation/misc/xstug_examples.zip  
// File: HDL_Coding_Techniques/rams/rams_03.v  
//  
module v_rams_03 (clk, we, en, addr, di, do);  
  
    input  clk;  
    input  we;  
    input  en;  
    input  [5:0] addr;  
    input  [15:0] di;  
    output [15:0] do;  
    reg    [15:0] RAM [63:0];  
    reg    [15:0] do;  
  
    always @(posedge clk)  
    begin  
        if (en)  
            begin  
                if (we)  
                    RAM[addr] <= di;  
                else  
                    do <= RAM[addr];  
            end  
        end  
    end  
endmodule
```

Dual-Port Block RAM with Two Write Ports VHDL Coding Example

```
--
-- Dual-Port Block RAM with Two Write Ports
-- Recommended Modelization with a Signal
--
-- Download: ftp://ftp.xilinx.com/pub/documentation/misc/xstug_examples.zip
-- File: HDL_Coding_Techniques/rams/rams_16a.vhd
--
library IEEE;
use IEEE.std_logic_1164.all;
use IEEE.std_logic_unsigned.all;

entity rams_16a is
    port(clka : in std_logic;
         clkb : in std_logic;
         ena : in std_logic;
         enb : in std_logic;
         wea : in std_logic;
         web : in std_logic;
         addra : in std_logic_vector(6 downto 0);
         addrb : in std_logic_vector(6 downto 0);
         dia : in std_logic_vector(15 downto 0);
         dib : in std_logic_vector(15 downto 0);
         doa : out std_logic_vector(15 downto 0);
         dob : out std_logic_vector(15 downto 0));
end rams_16a;

architecture syn of rams_16a is
    type ram_type is array (127 downto 0) of std_logic_vector(15 downto 0);
    signal RAM : ram_type;
begin

    process (CLKA)
    begin
        if CLKA'event and CLKA = '1' then
            if ENA = '1' then
                if WEA = '1' then
                    RAM(conv_integer(ADDRA)) <= DIA;
                end if;
                DOA <= RAM(conv_integer(ADDRA));
            end if;
        end if;
    end process;

    process (CLKB)
    begin
        if CLKB'event and CLKB = '1' then
            if ENB = '1' then
                if WEB = '1' then
                    RAM(conv_integer(ADDRB)) <= DIB;
                end if;
                DOB <= RAM(conv_integer(ADDRB));
            end if;
        end if;
    end process;
end syn;
```

Dual-Port Block RAM with Two Write Ports Verilog Coding Example

```
//  
// Dual-Port Block RAM with Two Write Ports  
//  
// Download: ftp://ftp.xilinx.com/pub/documentation/misc/xstug_examples.zip  
// File: HDL_Coding_Techniques/rams/rams_16.v  
//  
module v_rams_16 (clk_a,clk_b,ena, enb,wea,web,addra,addrb,dia,dib,doa,dob);  
  
    input  clk_a,clk_b,ena, enb,wea,web;  
    input  [5:0]  addra,addrb;  
    input  [15:0] dia,dib;  
    output [15:0] doa,dob;  
    reg    [15:0] ram [63:0];  
    reg    [15:0] doa,dob;  
  
    always @(posedge clk_a) begin  
        if (ena)  
            begin  
                if (wea)  
                    ram[addra] <= dia;  
                    doa <= ram[addra];  
            end  
    end  
  
    always @(posedge clk_b) begin  
        if (enb)  
            begin  
                if (web)  
                    ram[addrb] <= dib;  
                    dob <= ram[addrb];  
            end  
    end  
  
endmodule
```

Single-Port Block RAM with Byte-Wide Write Enable (2 Bytes) in Read-First Mode VHDL Coding Example

```
--
-- Single-Port Block RAM with Byte-wide Write Enable (2 bytes) in Read-First Mode
--
-- Download: ftp://ftp.xilinx.com/pub/documentation/misc/xstug_examples.zip
-- File: HDL_Coding_Techniques/rams/rams_24.vhd
--
library ieee;
use ieee.std_logic_1164.all;
use ieee.std_logic_unsigned.all;

entity rams_24 is
    generic (SIZE      : integer := 512;
            ADDR_WIDTH : integer := 9;
            DI_WIDTH   : integer := 8);

    port (clk : in std_logic;
          we  : in std_logic_vector(1 downto 0);
          addr : in std_logic_vector(ADDR_WIDTH-1 downto 0);
          di   : in std_logic_vector(2*DI_WIDTH-1 downto 0);
          do   : out std_logic_vector(2*DI_WIDTH-1 downto 0));
end rams_24;

architecture syn of rams_24 is

    type ram_type is array (SIZE-1 downto 0) of std_logic_vector (2*DI_WIDTH-1 downto 0);
    signal RAM : ram_type;

    signal di0, di1 : std_logic_vector (DI_WIDTH-1 downto 0);
begin

    process(we, di)
    begin
        if we(1) = '1' then
            di1 <= di(2*DI_WIDTH-1 downto 1*DI_WIDTH);
        else
            di1 <= RAM(conv_integer(addr))(2*DI_WIDTH-1 downto 1*DI_WIDTH);
        end if;

        if we(0) = '1' then
            di0 <= di(DI_WIDTH-1 downto 0);
        else
            di0 <= RAM(conv_integer(addr))(DI_WIDTH-1 downto 0);
        end if;
    end process;

    process(clk)
    begin
        if (clk'event and clk = '1') then
            do <= RAM(conv_integer(addr));
            RAM(conv_integer(addr)) <= di1 & di0;
        end if;
    end process;
end syn;
```

Single-Port Block RAM with Byte-Wide Write Enable (2 Bytes) in Read-First Mode Verilog Coding Example

```
//
// Single-Port Block RAM with Byte-wide Write Enable (2 bytes) in Read-First Mode
//
// Download: ftp://ftp.xilinx.com/pub/documentation/misc/xstug_examples.zip
// File: HDL_Coding_Techniques/rams/rams_24.v
//
module v_rams_24 (clk, we, addr, di, do);

    parameter SIZE      = 512;
    parameter ADDR_WIDTH = 9;
    parameter DI_WIDTH  = 8;

    input  clk;
    input  [1:0] we;
    input  [ADDR_WIDTH-1:0] addr;
    input  [2*DI_WIDTH-1:0] di;
    output [2*DI_WIDTH-1:0] do;
    reg    [2*DI_WIDTH-1:0] RAM [SIZE-1:0];
    reg    [2*DI_WIDTH-1:0] do;

    reg    [DI_WIDTH-1:0]  di0, di1;

    always @(we or di)
    begin
        if (we[1])
            di1 = di[2*DI_WIDTH-1:1*DI_WIDTH];
        else
            di1 = RAM[addr][2*DI_WIDTH-1:1*DI_WIDTH];

        if (we[0])
            di0 = di[DI_WIDTH-1:0];
        else
            di0 = RAM[addr][DI_WIDTH-1:0];

    end

    always @(posedge clk)
    begin
        do <= RAM[addr];
        RAM[addr]<={di1,di0};
    end
endmodule
```

Single-Port Block RAM with Byte-Wide Write Enable (2 Bytes) in Write-First Mode VHDL Coding Example

```
--
-- Single-Port Block RAM with Byte-wide Write Enable (2 bytes) in Write-First Mode
--
-- Download: ftp://ftp.xilinx.com/pub/documentation/misc/xstug_examples.zip
-- File: HDL_Coding_Techniques/rams/rams_25.vhd
--
library ieee;
use ieee.std_logic_1164.all;
use ieee.std_logic_unsigned.all;

entity rams_25 is
    generic (SIZE      : integer := 512;
            ADDR_WIDTH : integer := 9;
            DI_WIDTH   : integer := 8);

    port (clk : in  std_logic;
          we  : in  std_logic_vector(1 downto 0);
          addr : in  std_logic_vector(ADDR_WIDTH-1 downto 0);
          di   : in  std_logic_vector(2*DI_WIDTH-1 downto 0);
          do   : out std_logic_vector(2*DI_WIDTH-1 downto 0));
end rams_25;

architecture syn of rams_25 is
    type ram_type is array (SIZE-1 downto 0) of std_logic_vector (2*DI_WIDTH-1 downto 0);
    signal RAM : ram_type;

    signal di0, di1 : std_logic_vector (DI_WIDTH-1 downto 0);
    signal do0, do1 : std_logic_vector (DI_WIDTH-1 downto 0);
begin

    process(we, di, addr, RAM)
    begin
        if we(1) = '1' then
            di1 <= di(2*DI_WIDTH-1 downto 1*DI_WIDTH);
            do1 <= di(2*DI_WIDTH-1 downto 1*DI_WIDTH);
        else
            di1 <= RAM(conv_integer(addr))(2*DI_WIDTH-1 downto 1*DI_WIDTH);
            do1 <= RAM(conv_integer(addr))(2*DI_WIDTH-1 downto 1*DI_WIDTH);
        end if;

        if we(0) = '1' then
            di0 <= di(DI_WIDTH-1 downto 0);
            do0 <= di(DI_WIDTH-1 downto 0);
        else
            di0 <= RAM(conv_integer(addr))(DI_WIDTH-1 downto 0);
            do0 <= RAM(conv_integer(addr))(DI_WIDTH-1 downto 0);
        end if;
    end process;

    process(clk)
    begin
        if (clk'event and clk = '1') then
            do <= do1 & do0;
            RAM(conv_integer(addr)) <= di1 & di0;
        end if;
    end process;
end syn;
```

Single-Port Block RAM with Byte-Wide Write Enable (2 Bytes) in Write-First Mode Verilog Coding Example

```
//
// Single-Port Block RAM with Byte-wide Write Enable (2 bytes) in Write-First Mode
//
// Download: ftp://ftp.xilinx.com/pub/documentation/misc/xstug_examples.zip
// File: HDL_Coding_Techniques/rams/rams_25.v
//
module v_rams_25 (clk, we, addr, di, do);

    parameter SIZE          = 512;
    parameter ADDR_WIDTH   = 9;
    parameter DI_WIDTH     = 8;

    input  clk;
    input  [1:0] we;
    input  [ADDR_WIDTH-1:0] addr;
    input  [2*DI_WIDTH-1:0] di;
    output [2*DI_WIDTH-1:0] do;
    reg    [2*DI_WIDTH-1:0] RAM [SIZE-1:0];
    reg    [2*DI_WIDTH-1:0] do;

    reg    [DI_WIDTH-1:0]  di0, di1;
    reg    [DI_WIDTH-1:0]  do0, do1;

    always @(we or di or addr or RAM)
    begin
        if (we[1])
            begin
                di1 = di[2*DI_WIDTH-1:1*DI_WIDTH];
                do1 = di[2*DI_WIDTH-1:1*DI_WIDTH];
            end
        else
            begin
                di1 = RAM[addr][2*DI_WIDTH-1:1*DI_WIDTH];
                do1 = RAM[addr][2*DI_WIDTH-1:1*DI_WIDTH];
            end

        if (we[0])
            begin
                di0 <= di[DI_WIDTH-1:0];
                do0 <= di[DI_WIDTH-1:0];
            end
        else
            begin
                di0 <= RAM[addr][DI_WIDTH-1:0];
                do0 <= RAM[addr][DI_WIDTH-1:0];
            end

        end

        always @(posedge clk)
        begin
            do <= {do1,do0};
            RAM[addr]<={di1,di0};
        end
    end

endmodule
```

Single-Port Block RAM with Byte-Wide Write Enable (2 Bytes) in No-Change Mode VHDL Coding Example

XST infers latches for signals do1 and do0 during HDL Synthesis. These latches are absorbed into the block RAM during Advanced HDL Synthesis.

```
--
-- Single-Port Block RAM with Byte-wide Write Enable (2 bytes) in No-Change Mode
--
-- Download: ftp://ftp.xilinx.com/pub/documentation/misc/xstug_examples.zip
-- File: HDL_Coding_Techniques/rams/rams_26.vhd
--
library ieee;
use ieee.std_logic_1164.all;
use ieee.std_logic_unsigned.all;

entity rams_26 is
    generic (SIZE      : integer := 512;
            ADDR_WIDTH : integer := 9;
            DI_WIDTH   : integer := 8);

    port (clk : in std_logic;
          we  : in std_logic_vector(1 downto 0);
          addr : in std_logic_vector(ADDR_WIDTH-1 downto 0);
          di   : in std_logic_vector(2*DI_WIDTH-1 downto 0);
          do   : out std_logic_vector(2*DI_WIDTH-1 downto 0));
end rams_26;

architecture syn of rams_26 is
    type ram_type is array (SIZE-1 downto 0) of std_logic_vector (2*DI_WIDTH-1 downto 0);
    signal RAM : ram_type;

    signal di0, di1 : std_logic_vector (DI_WIDTH-1 downto 0);
    signal do0, do1 : std_logic_vector (DI_WIDTH-1 downto 0);
begin

    process(we, di, addr, RAM)
    begin
        if we(1) = '1' then
            di1 <= di(2*DI_WIDTH-1 downto 1*DI_WIDTH);
        else
            di1 <= RAM(conv_integer(addr))(2*DI_WIDTH-1 downto 1*DI_WIDTH);
            do1 <= RAM(conv_integer(addr))(2*DI_WIDTH-1 downto 1*DI_WIDTH);
        end if;

        if we(0) = '1' then
            di0 <= di(DI_WIDTH-1 downto 0);
        else
            di0 <= RAM(conv_integer(addr))(DI_WIDTH-1 downto 0);
            do0 <= RAM(conv_integer(addr))(DI_WIDTH-1 downto 0);
        end if;
    end process;

    process(clk)
    begin
        if (clk'event and clk = '1') then
            RAM(conv_integer(addr)) <= di1 & di0;
            do <= do1 & do0;
        end if;
    end process;
end syn;
```


Single-Port Block RAM with Byte-Wide Write Enable (2 Bytes) in No-Change Mode Verilog Coding Example

XST infers latches for signals do1 and do0 during HDL Synthesis. These latches are absorbed into the block RAM during Advanced HDL Synthesis.

```
//
// Single-Port Block RAM with Byte-wide Write Enable (2 bytes) in No-Change Mode
//
// Download: ftp://ftp.xilinx.com/pub/documentation/misc/xstug_examples.zip
// File: HDL_Coding_Techniques/rams/rams_26.v
//
module v_rams_26 (clk, we, addr, di, do);

    parameter SIZE      = 512;
    parameter ADDR_WIDTH = 9;
    parameter DI_WIDTH  = 8;

    input  clk;
    input  [1:0] we;
    input  [ADDR_WIDTH-1:0] addr;
    input  [2*DI_WIDTH-1:0] di;
    output [2*DI_WIDTH-1:0] do;
    reg    [2*DI_WIDTH-1:0] RAM [SIZE-1:0];
    reg    [2*DI_WIDTH-1:0] do;

    reg    [DI_WIDTH-1:0] di0, di1;
    reg    [DI_WIDTH-1:0] do0, do1;

    always @(we or di or addr or RAM)
    begin
        if (we[1])
            di1 = di[2*DI_WIDTH-1:1*DI_WIDTH];
        else
            begin
                di1 = RAM[addr][2*DI_WIDTH-1:1*DI_WIDTH];
                do1 = RAM[addr][2*DI_WIDTH-1:1*DI_WIDTH];
            end

        if (we[0])
            di0 <= di[DI_WIDTH-1:0];
        else
            begin
                di0 <= RAM[addr][DI_WIDTH-1:0];
                do0 <= RAM[addr][DI_WIDTH-1:0];
            end

        end

    always @(posedge clk)
    begin
        do <= {do1,do0};
        RAM[addr]<={di1,di0};
    end

endmodule
```

Block RAM with Resettable Data Output VHDL Coding Example

```
--
-- Block RAM with Resettable Data Output
--
-- Download: ftp://ftp.xilinx.com/pub/documentation/misc/xstug_examples.zip
-- File: HDL_Coding_Techniques/rams/rams_18.vhd
--
library ieee;
use ieee.std_logic_1164.all;
use ieee.std_logic_unsigned.all;

entity rams_18 is
  port (clk : in std_logic;
        en  : in std_logic;
        we  : in std_logic;
        rst : in std_logic;
        addr: in std_logic_vector(6 downto 0);
        di  : in std_logic_vector(15 downto 0);
        do  : out std_logic_vector(15 downto 0));
end rams_18;

architecture syn of rams_18 is
  type ram_type is array (127 downto 0) of std_logic_vector (15 downto 0);
  signal ram : ram_type;
begin

  process (clk)
  begin
    if clk'event and clk = '1' then
      if en = '1' then -- optional enable
        if we = '1' then -- write enable
          ram(conv_integer(addr)) <= di;
        end if;
      end if;
      if rst = '1' then -- optional reset
        do <= (others => '0');
      end if;
    else
      do <= ram(conv_integer(addr));
    end if;
  end process;
end syn;
```

Block RAM with Resettable Data Output Verilog Coding Example

```
//  
// Block RAM with Resettable Data Output  
//  
// Download: ftp://ftp.xilinx.com/pub/documentation/misc/xstug_examples.zip  
// File: HDL_Coding_Techniques/rams/rams_18.v  
//  
module v_rams_18 (clk, en, we, rst, addr, di, do);  
  
    input  clk;  
    input  en;  
    input  we;  
    input  rst;  
    input  [6:0] addr;  
    input  [15:0] di;  
    output [15:0] do;  
    reg    [15:0] ram [127:0];  
    reg    [15:0] do;  
  
    always @(posedge clk)  
    begin  
        if (en) // optional enable  
        begin  
            if (we) // write enable  
                ram[addr] <= di;  
  
            if (rst) // optional reset  
                do <= 16'b0000111100001101;  
            else  
                do <= ram[addr];  
        end  
    end  
endmodule
```

Block RAM with Optional Output Registers VHDL Coding Example

```
--
-- Block RAM with Optional Output Registers
--
-- Download: ftp://ftp.xilinx.com/pub/documentation/misc/xstug_examples.zip
-- File: HDL_Coding_Techniques/rams/rams_19.vhd
--
library IEEE;
library IEEE;
use IEEE.STD_LOGIC_1164.ALL;
use IEEE.STD_LOGIC_UNSIGNED.ALL;

entity rams_19 is
    port (clk1, clk2    : in std_logic;
          we, en1, en2 : in std_logic;
          addr1         : in std_logic_vector(5 downto 0);
          addr2         : in std_logic_vector(5 downto 0);
          di            : in std_logic_vector(15 downto 0);
          res1         : out std_logic_vector(15 downto 0);
          res2         : out std_logic_vector(15 downto 0));
end rams_19;

architecture beh of rams_19 is
    type ram_type is array (63 downto 0) of std_logic_vector (15 downto 0);
    signal ram : ram_type;
    signal dol : std_logic_vector(15 downto 0);
    signal do2 : std_logic_vector(15 downto 0);
begin

    process (clk1)
    begin
        if rising_edge(clk1) then
            if we = '1' then
                ram(conv_integer(addr1)) <= di;
            end if;
            dol <= ram(conv_integer(addr1));
        end if;
    end process;

    process (clk2)
    begin
        if rising_edge(clk2) then
            do2 <= ram(conv_integer(addr2));
        end if;
    end process;

    process (clk1)
    begin
        if rising_edge(clk1) then
            if en1 = '1' then
                res1 <= dol;
            end if;
        end if;
    end process;

    process (clk2)
    begin
        if rising_edge(clk2) then
            if en2 = '1' then
                res2 <= do2;
            end if;
        end if;
    end process;

end beh;
```

Block RAM with Optional Output Registers Verilog Coding Example

```
//  
// Block RAM with Optional Output Registers  
//  
// Download: ftp://ftp.xilinx.com/pub/documentation/misc/xstug_examples.zip  
// File: HDL_Coding_Techniques/rams/rams_19.v  
//  
module v_rams_19 (clk1, clk2, we, en1, en2, addr1, addr2, di, res1, res2);  
  
    input  clk1;  
    input  clk2;  
    input  we, en1, en2;  
    input  [6:0] addr1;  
    input  [6:0] addr2;  
    input  [15:0] di;  
    output [15:0] res1;  
    output [15:0] res2;  
    reg    [15:0] res1;  
    reg    [15:0] res2;  
    reg    [15:0] RAM [127:0];  
    reg    [15:0] do1;  
    reg    [15:0] do2;  
  
    always @(posedge clk1)  
    begin  
        if (we == 1'b1)  
            RAM[addr1] <= di;  
        do1 <= RAM[addr1];  
    end  
  
    always @(posedge clk2)  
    begin  
        do2 <= RAM[addr2];  
    end  
  
    always @(posedge clk1)  
    begin  
        if (en1 == 1'b1)  
            res1 <= do1;  
    end  
  
    always @(posedge clk2)  
    begin  
        if (en2 == 1'b1)  
            res2 <= do2;  
    end  
  
endmodule
```

Initializing Block RAM (Single-Port Block RAM) VHDL Coding Example

```
--
-- Initializing Block RAM (Single-Port Block RAM)
--
-- Download: ftp://ftp.xilinx.com/pub/documentation/misc/xstug_examples.zip
-- File: HDL_Coding_Techniques/rams/rams_20a.vhd
--
library ieee;
use ieee.std_logic_1164.all;
use ieee.std_logic_unsigned.all;

entity rams_20a is
    port (clk : in std_logic;
          we : in std_logic;
          addr : in std_logic_vector(5 downto 0);
          di : in std_logic_vector(19 downto 0);
          do : out std_logic_vector(19 downto 0));
end rams_20a;

architecture syn of rams_20a is

    type ram_type is array (63 downto 0) of std_logic_vector (19 downto 0);
    signal RAM : ram_type:= (X"0200A", X"00300", X"08101", X"04000", X"08601", X"0233A",
                             X"00300", X"08602", X"02310", X"0203B", X"08300", X"04002",
                             X"08201", X"00500", X"04001", X"02500", X"00340", X"00241",
                             X"04002", X"08300", X"08201", X"00500", X"08101", X"00602",
                             X"04003", X"0241E", X"00301", X"00102", X"02122", X"02021",
                             X"00301", X"00102", X"02222", X"04001", X"00342", X"0232B",
                             X"00900", X"00302", X"00102", X"04002", X"00900", X"08201",
                             X"02023", X"00303", X"02433", X"00301", X"04004", X"00301",
                             X"00102", X"02137", X"02036", X"00301", X"00102", X"02237",
                             X"04004", X"00304", X"04040", X"02500", X"02500", X"02500",
                             X"0030D", X"02341", X"08201", X"0400D");

begin

    process (clk)
    begin
        if rising_edge(clk) then
            if we = '1' then
                RAM(conv_integer(addr)) <= di;
            end if;
            do <= RAM(conv_integer(addr));
        end if;
    end process;

end syn;
```

Initializing Block RAM (Single-Port Block RAM) Verilog Coding Example

```
//
// Initializing Block RAM (Single-Port Block RAM)
//
// Download: ftp://ftp.xilinx.com/pub/documentation/misc/xstug_examples.zip
// File: HDL_Coding_Techniques/rams/rams_20a.v
//
module v_rams_20a (clk, we, addr, di, do);
    input  clk;
    input  we;
    input  [5:0] addr;
    input  [19:0] di;
    output [19:0] do;

    reg [19:0] ram [63:0];
    reg [19:0] do;

    initial begin
        ram[63] = 20'h0200A; ram[62] = 20'h00300; ram[61] = 20'h08101;
        ram[60] = 20'h04000; ram[59] = 20'h08601; ram[58] = 20'h0233A;
        ram[57] = 20'h00300; ram[56] = 20'h08602; ram[55] = 20'h02310;
        ram[54] = 20'h0203B; ram[53] = 20'h08300; ram[52] = 20'h04002;
        ram[51] = 20'h08201; ram[50] = 20'h00500; ram[49] = 20'h04001;
        ram[48] = 20'h02500; ram[47] = 20'h00340; ram[46] = 20'h00241;
        ram[45] = 20'h04002; ram[44] = 20'h08300; ram[43] = 20'h08201;
        ram[42] = 20'h00500; ram[41] = 20'h08101; ram[40] = 20'h00602;
        ram[39] = 20'h04003; ram[38] = 20'h0241E; ram[37] = 20'h00301;
        ram[36] = 20'h00102; ram[35] = 20'h02122; ram[34] = 20'h02021;
        ram[33] = 20'h00301; ram[32] = 20'h00102; ram[31] = 20'h02222;

        ram[30] = 20'h04001; ram[29] = 20'h00342; ram[28] = 20'h0232B;
        ram[27] = 20'h00900; ram[26] = 20'h00302; ram[25] = 20'h00102;
        ram[24] = 20'h04002; ram[23] = 20'h00900; ram[22] = 20'h08201;
        ram[21] = 20'h02023; ram[20] = 20'h00303; ram[19] = 20'h02433;
        ram[18] = 20'h00301; ram[17] = 20'h04004; ram[16] = 20'h00301;
        ram[15] = 20'h00102; ram[14] = 20'h02137; ram[13] = 20'h02036;
        ram[12] = 20'h00301; ram[11] = 20'h00102; ram[10] = 20'h02237;
        ram[9]  = 20'h04004; ram[8]  = 20'h00304; ram[7]  = 20'h04040;
        ram[6]  = 20'h02500; ram[5]  = 20'h02500; ram[4]  = 20'h02500;
        ram[3]  = 20'h0030D; ram[2]  = 20'h02341; ram[1]  = 20'h08201;
        ram[0]  = 20'h0400D;
    end

    always @(posedge clk)
    begin
        if (we)
            ram[addr] <= di;
        do <= ram[addr];
    end
endmodule
```

Initializing Block RAM From an External Data File VHDL Coding Example

```
--
-- Initializing Block RAM from external data file
--
-- Download: ftp://ftp.xilinx.com/pub/documentation/misc/xstug_examples.zip
-- File: HDL_Coding_Techniques/rams/rams_20c.vhd
--
library ieee;
use ieee.std_logic_1164.all;
use ieee.std_logic_unsigned.all;
use std.textio.all;

entity rams_20c is
    port(clk : in std_logic;
         we : in std_logic;
         addr : in std_logic_vector(5 downto 0);
         din : in std_logic_vector(31 downto 0);
         dout : out std_logic_vector(31 downto 0));
end rams_20c;

architecture syn of rams_20c is

    type RamType is array(0 to 63) of bit_vector(31 downto 0);

    impure function InitRamFromFile (RamFileName : in string) return RamType is
        FILE RamFile : text is in RamFileName;
        variable RamFileLine : line;
        variable RAM : RamType;
    begin
        for I in RamType'range loop
            readline (RamFile, RamFileLine);
            read (RamFileLine, RAM(I));
        end loop;
        return RAM;
    end function;

    signal RAM : RamType := InitRamFromFile("rams_20c.data");

begin

    process (clk)
    begin
        if clk'event and clk = '1' then
            if we = '1' then
                RAM(conv_integer(addr)) <= to_bitvector(din);
            end if;
            dout <= to_stdlogicvector(RAM(conv_integer(addr)));
        end if;
    end process;

end syn;
```


Initializing Block RAM From an External Data File Verilog Coding Example

```
//  
// Initializing Block RAM from external data file  
// Binary data  
//  
// Download: ftp://ftp.xilinx.com/pub/documentation/misc/xstug_examples.zip  
// File: HDL_Coding_Techniques/rams/rams_20c.v  
//  
module v_rams_20c (clk, we, addr, din, dout);  
    input  clk;  
    input  we;  
    input  [5:0] addr;  
    input  [31:0] din;  
    output [31:0] dout;  
  
    reg [31:0] ram [0:63];  
    reg [31:0] dout;  
  
    initial  
    begin  
        // $readmemb("rams_20c.data",ram, 0, 63);  
        $readmemb("rams_20c.data",ram);  
    end  
  
    always @(posedge clk)  
    begin  
        if (we)  
            ram[addr] <= din;  
        dout <= ram[addr];  
    end  
endmodule
```

Pipelined Distributed RAM VHDL Coding Example

```
--  
-- Pipeline distributed RAM  
--  
-- Download: ftp://ftp.xilinx.com/pub/documentation/misc/xstug_examples.zip  
-- File: HDL_Coding_Techniques/rams/rams_22.vhd  
--  
library ieee;  
use ieee.std_logic_1164.all;  
use ieee.std_logic_unsigned.all;  
  
entity rams_22 is  
    port (clk : in std_logic;  
          we : in std_logic;  
          addr : in std_logic_vector(8 downto 0);  
          di : in std_logic_vector(3 downto 0);  
          do : out std_logic_vector(3 downto 0));  
end rams_22;  
  
architecture syn of rams_22 is  
    type ram_type is array (511 downto 0) of std_logic_vector (3 downto 0);  
    signal RAM : ram_type;  
  
    signal pipe_reg: std_logic_vector(3 downto 0);  
  
    attribute ram_style: string;  
    attribute ram_style of RAM: signal is "pipe_distributed";  
begin  
  
    process (clk)  
    begin  
        if clk'event and clk = '1' then  
            if we = '1' then  
                RAM(conv_integer(addr)) <= di;  
            else  
                pipe_reg <= RAM( conv_integer(addr));  
            end if;  
            do <= pipe_reg;  
        end if;  
    end process;  
  
end syn;
```

Pipelined Distributed RAM Verilog Coding Example

```
//  
// Pipeline distributed RAM  
//  
// Download: ftp://ftp.xilinx.com/pub/documentation/misc/xstug_examples.zip  
// File: HDL_Coding_Techniques/rams/rams_22.v  
//  
module v_rams_22 (clk, we, addr, di, do);  
  
    input        clk;  
    input        we;  
    input  [8:0] addr;  
    input  [3:0] di;  
    output [3:0] do;  
  
    (*ram_style="pipe_distributed"*)  
    reg  [3:0] RAM [511:0];  
    reg  [3:0] do;  
    reg  [3:0] pipe_reg;  
  
    always @(posedge clk)  
    begin  
        if (we)  
            RAM[addr] <= di;  
        else  
            pipe_reg <= RAM[addr];  
  
        do <= pipe_reg;  
    end  
  
endmodule
```

ROMs

This section discusses HDL Coding Techniques for ROMs, and includes:

- [About ROMs](#)
- [ROMs Description](#)
- [ROMs Implementation](#)
- [ROMs Related Constraints](#)
- [ROMs Reporting](#)
- [ROMs Coding Examples](#)

About ROMs

Read-Only Memories (ROMs) have much in common with RAMs in terms of HDL modelling and implementation. If properly registered, a ROM can also be implemented on block RAM resources by XST.

ROMs Description

This section discusses ROMs Description, and includes:

- [ROMs Modelling](#)
- [Describing Read Access](#)

ROMs Modelling

ROMs are usually modelled in VHDL with an array of array object. This object can be either a constant or a signal.

Constant-Based Declaration VHDL Coding Example

```

type rom_type is array (0 to 127) of std_logic_vector (19 downto 0);
constant ROM : rom_type:= (
    X"0200A", X"00300", X"08101", X"04000", X"08601", X"0233A", X"00300", X"08602",
    X"02310", X"0203B", X"08300", X"04002", X"08201", X"00500", X"04001", X"02500",
    (...)
    X"04078", X"01110", X"02500", X"02500", X"0030D", X"02341", X"08201", X"0410D"
);

```

Signal-Based Declaration VHDL Coding Example

```

type rom_type is array (0 to 127) of std_logic_vector (19 downto 0);
signal ROM : rom_type:= (
    X"0200A", X"00300", X"08101", X"04000", X"08601", X"0233A", X"00300", X"08602",
    X"02310", X"0203B", X"08300", X"04002", X"08201", X"00500", X"04001", X"02500",
    (...)
    X"04078", X"01110", X"02500", X"02500", X"0030D", X"02341", X"08201", X"0410D"
);

```

ROM Modelled With Initial Block Verilog Coding Example

A ROM can be modelled in Verilog with an initial block. Verilog does not allow initializing an array with a single statement as allowed by VHDL aggregates. You must enumerate each address value.

```

reg [15:0] rom [15:0];

initial begin
    rom[0] = 16'b0011111100000010;
    rom[1] = 16'b0000000100001001;
    rom[2] = 16'b0001000000111000;
    rom[3] = 16'b0000000000000000;
    rom[4] = 16'b1100001010011000;
    rom[5] = 16'b0000000000000000;
    rom[6] = 16'b0000000110000000;
    rom[7] = 16'b0111111111110000;
    rom[8] = 16'b0010000010001001;
    rom[9] = 16'b0101010101011000;
    rom[10] = 16'b1111111010101010;
    rom[11] = 16'b0000000000000000;
    rom[12] = 16'b1110000000001000;
    rom[13] = 16'b0000000110001010;
    rom[14] = 16'b0110011100010000;
    rom[15] = 16'b0000100010000000;
end

```

Describing ROM With a Case Statement Coding Example

You can also describe the ROM with a **case** statement (or equivalent **if-elseif** construct).

```
input      [3:0] addr
output reg [15:0] data;

always @(posedge clk) begin
    if (en)
        case (addr)
            4'b0000: data <= 16'h200A;
            4'b0001: data <= 16'h0300;
            4'b0010: data <= 16'h8101;
            4'b0011: data <= 16'h4000;
            4'b0100: data <= 16'h8601;
            4'b0101: data <= 16'h233A;
            4'b0110: data <= 16'h0300;
            4'b0111: data <= 16'h8602;
            4'b1000: data <= 16'h2222;
            4'b1001: data <= 16'h4001;
            4'b1010: data <= 16'h0342;
            4'b1011: data <= 16'h232B;
            4'b1100: data <= 16'h0900;
            4'b1101: data <= 16'h0302;
            4'b1110: data <= 16'h0102;
            4'b1111: data <= 16'h4002;
        endcase
end
```

Loading the contents of the ROM from an external data file:

- Results in more compact and readable HDL source code
- Allows more flexibility in generating or altering the ROM data

For more information, see [Specifying Initial Contents in an External Data File](#) in [Chapter 7, XST HDL Coding Techniques](#).

Describing Read Access

Describing access to ROM is similar to describing access to RAM.

Describing Read Access VHDL Coding Example

Provided that you have included the IEEE `std_logic_unsigned` package defining the `conv_integer` conversion function, the VHDL syntax is:

```
signal addr : std_logic_vector(ADDR_WIDTH-1 downto 0);
do <= ROM( conv_integer(addr));
```

Describing Read Access Verilog Coding Example

If you have modelled the ROM in an initial block (with data described in the Verilog source code or loaded from an external data file), the Verilog syntax is:

```
do <= ROM[addr];
```

Alternatively in Verilog, use a case construct as shown in [Describing ROM With a Case Statement Coding Example](#) below.

ROMs Implementation

When XST detects that a properly synchronized ROM can be implemented on block RAM resources, the principles discussed in [Block RAM Optimization Strategies](#) apply. To override any default XST decision criteria, use [ROM Style \(ROM_STYLE\)](#) instead of [RAM Style \(RAM_STYLE\)](#).

- For more information about [ROM Style \(ROM_STYLE\)](#), see [Chapter 9, XST Design Constraints](#).
- For more information about ROM implementation, see [Chapter 8, XST FPGA Optimization](#).

ROMs Related Constraints

ROM Style (ROM_STYLE)

ROMs Reporting

The following report shows how the ROM is identified during HDL Synthesis. Based on the availability of proper synchronization, the decision to implement a ROM on block RAM resources is made during Advanced HDL Synthesis.

```

=====
*                               HDL Synthesis                               *
=====

Synthesizing Unit <roms_signal>.
  Found 20-bit register for signal <data>.
  Found 128x20-bit ROM for signal <n0024>.
  Summary:
  inferred 1 ROM(s).
  inferred 20 D-type flip-flop(s).
Unit <roms_signal> synthesized.

=====
HDL Synthesis Report

Macro Statistics
# ROMs                               : 1
  128x20-bit ROM                       : 1
# Registers                           : 1
  20-bit register                       : 1

=====

*                               Advanced HDL Synthesis                       *
=====

Synthesizing (advanced) Unit <roms_signal>.
INFO:Xst - The ROM <Mrom_ROM> will be implemented as a read-only BLOCK RAM, absorbing the register: <data>.
INFO:Xst - The RAM <Mrom_ROM> will be implemented as BLOCK RAM

-----
| ram_type           | Block                                     |
-----
| Port A             |
|   aspect ratio    | 128-word x 20-bit                       |
|   mode             | write-first                              |
|   clkA             | connected to signal <clk>                | rise
|   enA              | connected to signal <en>                 | high
|   weA              | connected to internal node               | high
|   addrA            | connected to signal <addr>               |
|   diA              | connected to internal node               |
|   doA              | connected to signal <data>               |
-----
| optimization       | speed                                     |
-----

Unit <roms_signal> synthesized (advanced).

=====
Advanced HDL Synthesis Report

Macro Statistics
# RAMs                               : 1
  128x20-bit single-port block RAM     : 1

=====

```

ROMs Coding Examples

Coding examples are accurate as of the date of publication. Download updates and other examples from ftp://ftp.xilinx.com/pub/documentation/misc/xstug_examples.zip. Each directory contains a `summary.txt` file listing all examples together with a brief overview.

Description of a ROM with a VHDL Constant Coding Example

```
--
-- Description of a ROM with a VHDL constant
--
-- Download: ftp://ftp.xilinx.com/pub/documentation/misc/xstug_examples.zip
-- File: HDL_Coding_Techniques/rams/roms_constant.vhd
--
library ieee;
use ieee.std_logic_1164.all;
use ieee.std_logic_unsigned.all;

entity roms_constant is
    port (clk : in std_logic;
          en  : in std_logic;
          addr : in std_logic_vector(6 downto 0);
          data : out std_logic_vector(19 downto 0));
end roms_constant;

architecture syn of roms_constant is

    type rom_type is array (0 to 127) of std_logic_vector (19 downto 0);
    constant ROM : rom_type:= (
        X"0200A", X"00300", X"08101", X"04000", X"08601", X"0233A", X"00300", X"08602",
        X"02310", X"0203B", X"08300", X"04002", X"08201", X"00500", X"04001", X"02500",
        X"00340", X"00241", X"04002", X"08300", X"08201", X"00500", X"08101", X"00602",
        X"04003", X"0241E", X"00301", X"00102", X"02122", X"02021", X"00301", X"00102",
        X"02222", X"04001", X"00342", X"0232B", X"00900", X"00302", X"00102", X"04002",
        X"00900", X"08201", X"02023", X"00303", X"02433", X"00301", X"04004", X"00301",
        X"00102", X"02137", X"02036", X"00301", X"00102", X"02237", X"04004", X"00304",
        X"04040", X"02500", X"02500", X"02500", X"0030D", X"02341", X"08201", X"0400D",
        X"0200A", X"00300", X"08101", X"04000", X"08601", X"0233A", X"00300", X"08602",
        X"02310", X"0203B", X"08300", X"04002", X"08201", X"00500", X"04001", X"02500",
        X"00340", X"00241", X"04112", X"08300", X"08201", X"00500", X"08101", X"00602",
        X"04003", X"0241E", X"00301", X"00102", X"02122", X"02021", X"00301", X"00102",
        X"02222", X"04001", X"00342", X"0232B", X"00870", X"00302", X"00102", X"04002",
        X"00900", X"08201", X"02023", X"00303", X"02433", X"00301", X"04004", X"00301",
        X"00102", X"02137", X"FF036", X"00301", X"00102", X"10237", X"04934", X"00304",
        X"04078", X"01110", X"02500", X"02500", X"0030D", X"02341", X"08201", X"0410D"
    );

begin

    process (clk)
    begin
        if (clk'event and clk = '1') then
            if (en = '1') then
                data <= ROM(conv_integer(addr));
            end if;
        end if;
    end process;

end syn;
```

ROMs Using Block RAM Resources Verilog Coding Example

```
//
// ROMs Using Block RAM Resources.
// Verilog code for a ROM with registered output (template 1)
//
// Download: ftp://ftp.xilinx.com/pub/documentation/misc/xstug_examples.zip
// File: HDL_Coding_Techniques/rams/rams_21a.v
//
module v_rams_21a (clk, en, addr, data);

    input    clk;
    input    en;
    input    [5:0] addr;
    output reg [19:0] data;

    always @(posedge clk) begin
        if (en)
            case(addr)
                6'b000000: data <= 20'h0200A;    6'b100000: data <= 20'h02222;
                6'b000001: data <= 20'h00300;    6'b100001: data <= 20'h04001;
                6'b000010: data <= 20'h08101;    6'b100010: data <= 20'h00342;
                6'b000011: data <= 20'h04000;    6'b100011: data <= 20'h0232B;
                6'b000100: data <= 20'h08601;    6'b100100: data <= 20'h00900;
                6'b000101: data <= 20'h0233A;    6'b100101: data <= 20'h00302;
                6'b000110: data <= 20'h00300;    6'b100110: data <= 20'h00102;
                6'b000111: data <= 20'h08602;    6'b100111: data <= 20'h04002;
                6'b001000: data <= 20'h02310;    6'b101000: data <= 20'h00900;
                6'b001001: data <= 20'h0203B;    6'b101001: data <= 20'h08201;
                6'b001010: data <= 20'h08300;    6'b101010: data <= 20'h02023;
                6'b001011: data <= 20'h04002;    6'b101011: data <= 20'h00303;
                6'b001100: data <= 20'h08201;    6'b101100: data <= 20'h02433;
                6'b001101: data <= 20'h00500;    6'b101101: data <= 20'h00301;
                6'b001110: data <= 20'h04001;    6'b101110: data <= 20'h04004;
                6'b001111: data <= 20'h02500;    6'b101111: data <= 20'h00301;
                6'b010000: data <= 20'h00340;    6'b110000: data <= 20'h00102;
                6'b010001: data <= 20'h00241;    6'b110001: data <= 20'h02137;
                6'b010010: data <= 20'h04002;    6'b110010: data <= 20'h02036;
                6'b010011: data <= 20'h08300;    6'b110011: data <= 20'h00301;
                6'b010100: data <= 20'h08201;    6'b110100: data <= 20'h00102;
                6'b010101: data <= 20'h00500;    6'b110101: data <= 20'h02237;
                6'b010110: data <= 20'h08101;    6'b110110: data <= 20'h04004;
                6'b010111: data <= 20'h00602;    6'b110111: data <= 20'h00304;
                6'b011000: data <= 20'h04003;    6'b111000: data <= 20'h04040;
                6'b011001: data <= 20'h0241E;    6'b111001: data <= 20'h02500;
                6'b011010: data <= 20'h00301;    6'b111010: data <= 20'h02500;
                6'b011011: data <= 20'h00102;    6'b111011: data <= 20'h02500;
                6'b011100: data <= 20'h02122;    6'b111100: data <= 20'h0030D;
                6'b011101: data <= 20'h02021;    6'b111101: data <= 20'h02341;
                6'b011110: data <= 20'h00301;    6'b111110: data <= 20'h08201;
                6'b011111: data <= 20'h00102;    6'b111111: data <= 20'h0400D;
            endcase
        end
    end
endmodule
```

Finite State Machine (FSM) Components

This section discusses HDL Coding Techniques for Finite State Machine (FSM) components, and includes:

- [About Finite State Machine \(FSM\) Components](#)
- [Finite State Machine \(FSM\) Components Description](#)
- [Implementing Finite State Machine \(FSM\) Components on block RAM Resources](#)
- [Finite State Machine \(FSM\) Safe Implementation](#)
- [Finite State Machine \(FSM\) Related Constraints](#)
- [Finite State Machine \(FSM\) Reporting](#)
- [Finite State Machine \(FSM\) Coding Examples](#)

About Finite State Machine (FSM) Components

XST features specific inference capabilities for synchronous Finite State Machine (FSM) components, as well as several built-in FSM encoding strategies to accommodate your optimization goals. XST may also be instructed to abide by your own encoding scheme.

FSM extraction is enabled by default. To disable it, use [Automatic FSM Extraction \(FSM_EXTRACT\)](#).

Finite State Machine (FSM) Description

This section discusses Finite State Machine (FSM) Description, and includes:

- [About Finite State Machine \(FSM\) Description](#)
- [State Register](#)
- [Next State Equation](#)
- [Unreachable States](#)
- [Finite State Machine \(FSM\) Outputs](#)
- [Finite State Machine \(FSM\) Inputs](#)
- [State Encoding Techniques](#)

About Finite State Machine (FSM) Description

XST supports specification of Finite State Machine (FSM) in both Moore and Mealy form.

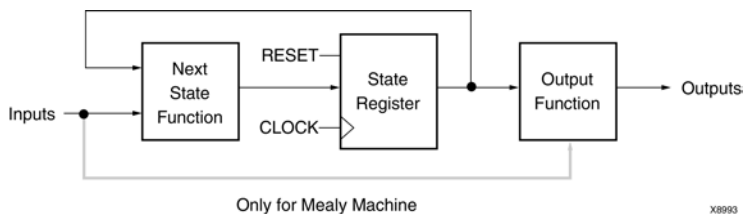
There are many coding variations, but the following guidelines will ensure maximum readability and maximize the ability of XST to identify the FSM.

A Finite State Machine (FSM) consists of:

- State register
- Next state function
- Outputs function

The following figure shows a Mealy-type FSM.

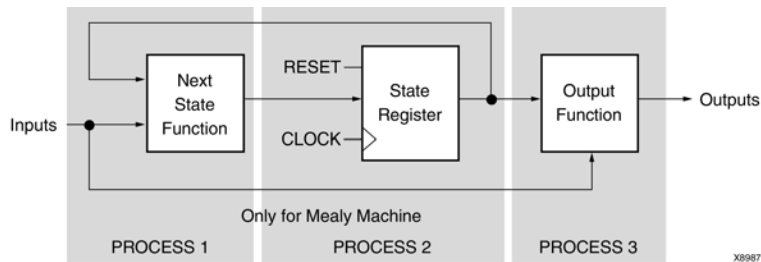
FSM Representation Incorporating Mealy and Moore Machines Diagram



You can choose among the following HDL coding approaches, depending on your goals with respect to code compactness and readability.

- Describing all three components of the FSM in a single sequential process or **always** block.
- Describing the state register and next state function together in a sequential process or **always** block, and describing the outputs function in a separate combinatorial process or **always** block.
- Describing the state register in a sequential process or **always** block, and describing the next state and outputs functions together in a separate combinatorial process or **always** block.
- Describing the state register in a sequential process or **always** block, describing the next state function in a first combinatorial process or **always** block, and describing the outputs function in a second separate combinatorial process or **always** block.

FSM With Three Processes Diagram



State Register

Specify a reset or power-up state for XST to identify an FSM. The state register can be asynchronously or synchronously reset to a particular state. For FSMs, as for any type of sequential logic, Xilinx® recommends synchronous reset logic over asynchronous.

You can also specify a power-up value with Register Power Up (**REGISTER_POWERUP**).

State Register VHDL Coding Example

The state register can be specified in VHDL with a standard type such as **integer**, **bit_vector**, or **std_logic_vector**. Another common coding practice is to define an enumerated type containing all possible state values and to declare the state register with that type.

```
type state_type is (state1, state2, state3, state4);
signal state : state_type;
```

State Register Verilog Coding Example

The type of a state register in Verilog can be an integer or a set of defined parameters.

```
parameter [3:0]
    s1 = 4'b0001,
    s2 = 4'b0010,
    s3 = 4'b0100,
    s4 = 4'b1000;
reg [3:0] state;
```

These parameters can be modified to represent different state encoding schemes.

Next State Equation

Next state equations can be described directly in the sequential process or in a distinct combinatorial process. The simplest coding example is based on a **case** statement, whose selector is the current state signal. If using a separate combinatorial process, its sensitivity list should contain the state signal and all Finite State Machine (FSM) inputs.

Unreachable States

XST detects and reports unreachable states.

Finite State Machine (FSM) Outputs

Non-registered outputs are described either in the combinatorial process or in concurrent assignments. Registered outputs must be assigned within the sequential process.

Finite State Machine (FSM) Inputs

Registered inputs are described using internal signals, which are assigned in the sequential process.

State Encoding Techniques

XST features several encoding techniques that can accommodate different optimization goals, and different Finite State Machine (FSM) patterns. Select the desired encoding technique with [FSM Encoding Algorithm \(FSM_ENCODING\)](#).

Auto State Encoding

In automatic mode, XST tries to select the best suited encoding method for a given FSM.

One-Hot State Encoding

One-Hot State Encoding is the default encoding scheme. It assigns a distinct bit of code to each FSM state. As a result, the state register is implemented with one flip-flop for each state. In a given clock cycle during operation, one and only one bit of the state register is asserted. Only two bits toggle during a transition between two states. One-Hot State Encoding is usually a good choice for optimizing speed or reducing power dissipation.

Gray State Encoding

Gray State Encoding:

- Guarantees that only one bit switches between two consecutive states. It is appropriate for controllers exhibiting long paths without branching.
- Minimizes hazards and glitches. Good results can be obtained when implementing the state register with T flip-flops.
- Can be used to minimize power dissipation.

Compact State Encoding

Compact State Encoding consists of minimizing the number of bits in the state variables and flip-flops. This technique is based on hypercube immersion. Compact State Encoding is appropriate when trying to optimize area.

Johnson State Encoding

Like Gray State Encoding, Johnson State Encoding is beneficial when using state machines containing long paths with no branching.

Sequential State Encoding

Sequential State Encoding consists of identifying long paths and applying successive radix two codes to the states on these paths. Next state equations are minimized.

Speed1 State Encoding

Speed1 State Encoding is oriented for speed optimization. The number of bits for a state register depends on the specific FSM, but is generally greater than the number of FSM states.

User State Encoding

In User State Encoding, XST uses the original encoding specified in the Hardware Description Language (HDL) file. For example, if the state register is described based on an enumerated type, use [Enumerated Encoding \(ENUM_ENCODING\)](#) to assign a specific binary value to each state, and select User State Encoding to instruct XST to follow your coding scheme. For more information, see [Chapter 9, XST Design Constraints](#).

Implementing Finite State Machine (FSM) Components on block RAM Resources

Finite State Machine (FSM) components are implemented on slice logic. In order to save slice logic resources on the targeted device, you can instruct XST to implement FSM components in block RAM. Such implementation can also favorably impact performance of large FSM components. Use [FSM Style \(FSM_STYLE\)](#) to choose between the default implementation on slice logic and block RAM implementation. Allowed values are:

- `lut` (default)
- `bram`

If XST cannot honor a request to implement an FSM in block RAM, XST:

- Automatically implements the state machine in slice logic
- Issues a warning during Advanced HDL Synthesis

Such failure usually occurs if the FSM has an asynchronous reset.

Finite State Machine (FSM) Safe Implementation

XST can implement a Finite State Machine (FSM) with added logic that allows it to recover from an invalid state situation. If state machine enters an invalid state, the logic added by XST returns it to a known state, called a recovery state. This process is known as Safe Implementation mode. To activate Safe FSM implementation, use [Safe Implementation \(SAFE_IMPLEMENTATION\)](#).

XST automatically selects the reset state as the recovery state. If none is available, XST selects the power-up state instead. To manually define a specific recovery state, apply [Safe Recovery State \(SAFE_RECOVERY_STATE\)](#).

Finite State Machine (FSM) Related Constraints

- [Automatic FSM Extraction \(FSM_EXTRACT\)](#)
- [FSM Style \(FSM_STYLE\)](#)
- [FSM Encoding Algorithm \(FSM_ENCODING\)](#)
- [Enumerated Encoding \(ENUM_ENCODING\)](#)
- [Safe Implementation \(SAFE_IMPLEMENTATION\)](#)
- [Safe Recovery State \(SAFE_RECOVERY_STATE\)](#)

Finite State Machine (FSM) Reporting

The XST log provides detailed information about identified Finite State Machine (FSM) components, and how each of them is encoded.

```

=====
*                               HDL Synthesis                               *
=====

Synthesizing Unit <fsm_1>.
  Found 1-bit register for signal <outp>.
  Found 2-bit register for signal <state>.
  Found finite state machine <FSM_0> for signal <state>.
-----
| States           | 4
| Transitions     | 5
| Inputs          | 1
| Outputs         | 2
| Clock           | clk (rising_edge)
| Reset           | reset (positive)
| Reset type      | asynchronous
| Reset State     | s1
| Power Up State  | s1
| Encoding        | gray
| Implementation  | LUT
-----

Summary:
inferred 1 D-type flip-flop(s).
inferred 1 Finite State Machine(s).
Unit <fsm_1> synthesized.

=====
HDL Synthesis Report

Macro Statistics
# Registers           : 1
  1-bit register      : 1
# FSMs                : 1

=====

*                               Advanced HDL Synthesis                               *
=====

Advanced HDL Synthesis Report

Macro Statistics
# FSMs                : 1
# Registers           : 1
  Flip-Flops         : 1
# FSMs                : 1

=====

*                               Low Level Synthesis                               *
=====

Optimizing FSM <state> on signal <state[1:2]> with gray encoding.
-----
State | Encoding
-----
s1    | 00
s2    | 11
s3    | 01
s4    | 10
-----

```

Finite State Machine (FSM) Coding Examples

Coding examples are accurate as of the date of publication. Download updates and other examples from ftp://ftp.xilinx.com/pub/documentation/misc/xstug_examples.zip. Each directory contains a `summary.txt` file listing all examples together with a brief overview.

State Machine Described with a Single Process VHDL Coding Example

```
--
-- State Machine described with a single process
--
-- Download: ftp://ftp.xilinx.com/pub/documentation/misc/xstug_examples.zip
-- File: HDL_Coding_Techniques/state_machines/state_machines_1.vhd
--
library IEEE;
use IEEE.std_logic_1164.all;

entity fsm_1 is
    port ( clk, reset, x1 : IN std_logic;
          outp           : OUT std_logic);
end entity;

architecture behavioral of fsm_1 is
    type state_type is (s1,s2,s3,s4);
    signal state : state_type ;
begin

    process (clk)
    begin
        if rising_edge(clk) then
            if (reset = '1') then
                state <= s1;
                outp <= '1';
            else
                case state is
                    when s1 => if x1='1' then
                                state <= s2;
                                outp <= '1';
                            else
                                state <= s3;
                                outp <= '0';
                            end if;
                    when s2 => state <= s4; outp <= '0';
                    when s3 => state <= s4; outp <= '0';
                    when s4 => state <= s1; outp <= '1';
                end case;
            end if;
        end if;
    end process;

end behavioral;
```

State Machine with Three Always Blocks Coding Example

```
//
// State Machine with three always blocks.
//
// Download: ftp://ftp.xilinx.com/pub/documentation/misc/xstug_examples.zip
// File: HDL_Coding_Techniques/state_machines/state_machines_3.v
//
module v_fsm_3 (clk, reset, x1, outp);
    input clk, reset, x1;
    output outp;
    reg outp;
    reg [1:0] state;
    reg [1:0] next_state;

    parameter s1 = 2'b00; parameter s2 = 2'b01;
    parameter s3 = 2'b10; parameter s4 = 2'b11;

    initial begin
        state = 2'b00;
    end

    always @(posedge clk or posedge reset)
    begin
        if (reset) state <= s1;
        else state <= next_state;
    end

    always @(state or x1)
    begin
        case (state)
            s1: if (x1==1'b1)
                next_state = s2;
                else
                next_state = s3;
            s2: next_state = s4;
            s3: next_state = s4;
            s4: next_state = s1;
        endcase
    end

    always @(state)
    begin
        case (state)
            s1: outp = 1'b1;
            s2: outp = 1'b1;
            s3: outp = 1'b0;
            s4: outp = 1'b0;
        endcase
    end
endmodule
```

Black Boxes

This section discusses HDL Coding Techniques for Black Boxes, and includes:

- [About Black Boxes](#)
- [Black Boxes Related Constraints](#)
- [Black Boxes Reporting](#)
- [Black Boxes Coding Examples](#)

About Black Boxes

A design can contain EDIF or NGC files generated by:

- Synthesis tools
- Schematic text editors
- Any other design entry mechanism

These modules must be instantiated in the code in order to be connected to the rest of the design. To do so in XST, use Black Box instantiation in the HDL source code. The netlist is propagated to the final top-level netlist without being processed by XST. Moreover, XST enables you to apply specific constraints to these Black Box instantiations, which are passed to the NGC file.

In addition, you may have a design block for which you have an RTL model, as well as your own implementation of this block in the form of an EDIF netlist. The RTL model is valid for simulation purposes only. Use [BoxType \(BOX_TYPE\)](#) to instruct XST to skip synthesis of this RTL model and create a Black Box. The EDIF netlist is linked to the synthesized design during NGDBuild.

For more information, see:

- [Chapter 10, XST General Constraints](#)
- [Constraints Guide](#)

Once you make a design a Black Box, each instance of that design is a Black Box. While you can apply constraints to the instance, XST ignores any constraint applied to the original design.

For more information on component instantiation, see the VHDL and Verilog language reference manuals.

Black Boxes Related Constraints

[BoxType \(BOX_TYPE\)](#)

[BoxType](#) was introduced for device primitive instantiation in XST. See [Device Primitive Support](#) in [Chapter 8, XST FPGA Primitive Optimization](#), before using [BoxType](#).

Black Boxes Reporting

XST acknowledges a Black Box instantiation as follows during VHDL Elaboration:

```
WARNING:HDLCompiler:89 - "example.vhd" Line 15. <my_bbox> remains a black-box since it has no binding entity.
```

Verilog elaboration does not issue a specific message.

Black Boxes Coding Examples

Coding examples are accurate as of the date of publication. Download updates and other examples from ftp://ftp.xilinx.com/pub/documentation/misc/xstug_examples.zip. Each directory contains a `summary.txt` file listing all examples together with a brief overview.

Black Box VHDL Coding Example

```
--
-- Black Box
--
-- Download: ftp://ftp.xilinx.com/pub/documentation/misc/xstug_examples.zip
-- File: HDL_Coding_Techniques/black_box/black_box_1.vhd
--
library ieee;
use ieee.std_logic_1164.all;

entity black_box_1 is
    port(DI_1, DI_2 : in std_logic;
         DOUT : out std_logic);
end black_box_1;

architecture archi of black_box_1 is

    component my_block
    port (I1 : in std_logic;
         I2 : in std_logic;
         O : out std_logic);
    end component;

begin

    inst: my_block port map (I1=>DI_1,I2=>DI_2,O=>DOUT);

end archi;
```

Black Box Verilog Coding Example

```
//
// Black Box
//
// Download: ftp://ftp.xilinx.com/pub/documentation/misc/xstug_examples.zip
// File: HDL_Coding_Techniques/black_box/black_box_1.v
//
module v_my_block (in1, in2, dout);
    input in1, in2;
    output dout;
endmodule

module v_black_box_1 (DI_1, DI_2, DOUT);
    input DI_1, DI_2;
    output DOUT;

    v_my_block inst (
        .in1(DI_1),
        .in2(DI_2),
        .dout(DOUT));

endmodule
```


XST FPGA Optimization

Note The *XST User Guide for Virtex-6 and Spartan-6 Devices* applies to Xilinx® Virtex®-6 and Spartan®-6 devices only. For information on using XST with other devices, see the *XST User Guide*.

This chapter discusses XST FPGA Optimization, and includes:

- [Low Level Synthesis](#)
- [Mapping Logic to Block RAM](#)
- [Flip-Flop Implementation Guidelines](#)
- [Flip-Flop Retiming](#)
- [Speed Optimization Under Area Constraint](#)
- [Implementation Constraints](#)
- [Xilinx Device Primitive Support](#)
- [Using the UniMacro Library](#)
- [Cores Processing](#)
- [Mapping Logic to LUTs](#)
- [Controlling Placement on the Device](#)
- [Inserting Buffers](#)
- [Using the PCI™ Flow With XST](#)

Low Level Synthesis

During Low Level Synthesis, there are several ways to control XST implementation in order to achieve your design goals. During Low Level Synthesis, XST:

1. Separately maps and optimizes each VHDL entity or Verilog module to the targeted device family resources
2. Globally optimizes the complete design

The output of Low Level Synthesis is an NGC netlist file.

Several options and constraints are available to alter XST's default implementation choices. For more information, see [Chapter 12, XST FPGA Constraints \(Non-Timing\)](#).

Mapping Logic to Block RAM

If you cannot fit the design onto the targeted device, place some of the design logic in unused block RAM. Since XST does not automatically decide which logic can be placed in block RAM, you must instruct XST to do so.

1. Isolate the part of the RTL description to be placed into block RAM in a separate hierarchical block.
2. Apply [Map Logic on BRAM \(BRAM_MAP\)](#) to the separate hierarchical block, either directly in the HDL source code, or in the XST Constraint File (XCF).

The logic implemented in block RAM must satisfy the following criteria:

- All outputs are registered.
- The block contains only one level of registers, which are output registers.
- All output registers have the same control signals.
- The output registers have a synchronous reset signal.
- The block does not contain multi-source situations or tristate buffers.
- **Keep (KEEP)** is not allowed on intermediate signals.

XST attempts to map the designated logic onto block RAM during Low Level Synthesis. When successful, XST issues the following message:

```
Entity <logic_bram_1> mapped on BRAM.
```

If any of the listed requirements is not satisfied, XST does not map the designated logic onto block RAM, and issues a warning.

```
INFO:Xst:1789 - Unable to map block <no_logic_bram> on BRAM.Output FF <RES> must have a synchronous reset.
```

If the logic cannot be placed in a single block RAM primitive, XST spreads it over several block RAMs.

Flip-Flop Implementation Guidelines

Starting with the Virtex®-6 and Spartan®-6 and device families, CLB flip-flops and latches can no longer natively implement both a set and reset. XST enforces the following rules if it finds a flip-flop with both a set and reset, whether the flip-flop is inferred, or retargeted from an older device family primitive instantiation:

- A simultaneous synchronous set and reset is retargeted and additional logic is created.
- A simultaneous asynchronous set and reset is rejected with the following error message.

```
ERROR:Xst:#### - This design infers one or more latches or registers with both an active asynchronous set and reset. In the Virtex6 and Spartan6 architectures this behaviour creates a sub-optimal circuit in area, power and performance. To synthesis an optimal implementation it is highly recommended to either remove one set or reset or make the function synchronous. To override this error set -retarget_active_async_set_reset option to yes.
```

Follow these additional guidelines:

- Do not set or reset registers asynchronously. Use synchronous initialization instead. Although supported on Xilinx® devices, Xilinx does not recommend this practice for the following reasons:
 - Control set remapping is no longer possible
 - Sequential functionality in several device resources, such as block RAMs and DSP blocks, can only be set or reset synchronously. You will either be unable to leverage those resources, or they will be configured in a suboptimal way.
- If your coding guidelines call for registers to be set or reset asynchronously, consider running XST with [Asynchronous to Synchronous \(ASYNC_TO_SYNC\)](#). This allows you to assess the potential benefits of moving to a synchronous set/reset approach. [Asynchronous to Synchronous \(ASYNC_TO_SYNC\)](#) affects only inferred registers. It does not affect instantiated flip-flops.
- Do not describe flip-flops with both a set and a reset. Starting with the Virtex-6 and Spartan-6 device families, none of the available flip-flop primitives natively features both a set and a reset, whether synchronous or asynchronous. XST rejects flip-flops described with both an asynchronous reset and an asynchronous set.
- Avoid operational set/reset logic whenever possible. There may be other, less expensive, ways to achieve the desired result, such as taking advantage of the circuit global reset by defining an initial contents.
- The clock enable, set and reset control inputs of Xilinx flip-flop primitives are always active high. If described to be active low, such functionality inevitably leads to inverter logic that penalizes circuit performance.

Flip-Flop Retiming

This section discusses Flip-Flop Retiming, and includes:

- [About Flip-Flop Retiming](#)
- [Limitations of Flip-Flop Retiming](#)
- [Controlling Flip-Flop Retiming](#)
- [Partitions](#)

About Flip-Flop Retiming

Flip-flop retiming consists of moving flip-flops and latches across logic in order to reduce synchronous paths, thereby increasing clock frequency. This optimization is disabled by default.

Flip-flop retiming can be either forward or backward:

- Forward retiming moves a set of flip-flops that are the input of a **LUT** to a single flip-flop at its output.
- Backward retiming moves a flip-flop that is at the output of a **LUT** to a set of flip-flops at its input.
- Backward flip-flop retiming generally increases the number of flip-flop, sometimes significantly.
- Forward flip-flop retiming generally reduces the number of flip-flops.

In either case, the behavior of the design is not changed. Only timing delays are modified.

Flip-flop retiming is part of global optimization. It respects the same constraints as all other optimization techniques. Since retiming is iterative, a flip-flop that is the result of a retiming can be moved again in the same direction (forward or backward) if it results in better timing. Retiming iterations stop when specified timing constraints are satisfied, or if no more timing improvement can be obtained.

For each flip-flop moved, a message specifies:

- The original and new flip-flop names
- Whether it is a forward or backward retiming

Limitations of Flip-Flop Retiming

Flip-flop retiming does not take place under the following circumstances:

- Flip-flop retiming is not applied to flip-flops with an **IOB=TRUE** property.
- Forward retiming does not happen if a flip-flop or the signal on its output has a **Keep (KEEP)** property.
- Backward retiming does not happen if the signal on the input of a flip-flop has a **Keep (KEEP)** property.
- Instantiated flip-flops are moved only if **Optimize Instantiated Primitives (OPTIMIZE_PRIMITIVES)** is set to **yes**.
- Flip-Flops are moved across instantiated primitives only if **Optimize Instantiated Primitives (OPTIMIZE_PRIMITIVES)** is set to **yes**.
- Flip-flops with both a **set** and a **reset** are not moved.

Controlling Flip-Flop Retiming

Use the following constraints to control flip-flop retiming:

- [Register Balancing \(REGISTER_BALANCING\)](#)
- [Move First Stage \(MOVE_FIRST_STAGE\)](#)
- [Move Last Stage \(MOVE_LAST_STAGE\)](#)

Partitions

For information on Partitions, see the ISE® Design Suite Help.

Speed Optimization Under Area Constraint

Even when instructing XST to target area reduction as its main goal, [Slice \(LUT-FF Pairs\) Utilization Ratio \(SLICE_UTILIZATION_RATIO\)](#) can be used to achieve some degree of control over circuit performance. This constraint is set by default to 100% of the selected device size. This constraint influences low level optimization as follows:

- As long as the estimated area is higher than the constraint requirement, XST tries to further reduce area.
- When the estimated area falls within the constraint requirement, XST starts to look for timing optimization opportunities, making sure that the solution stays within the area constraint requirement.

This constraint does not control macro inference.

Low Level Synthesis Report Example

In the following example, the area constraint was specified as 100% and initial area estimation find an actual device utilization of 102%. XST begins optimization and reaches 95%.

```
=====
* Low Level Synthesis
=====
Found area constraint ratio of 100 (+ 5) on block tge,
actual ratio is 102.
Optimizing block tge> to meet ratio 100 (+ 5) of 1536 slices
Area constraint is met for block tge>, final ratio is 95.
```

If the area constraint cannot be met, XST ignores it during timing optimization and runs low level synthesis to achieve the best frequency. In the following example, the target area constraint is set to 70%. Because XST is unable to satisfy it, the tool issues the following warning:

```
=====
*                               Low Level Synthesis                               *
=====
Found area constraint ratio of 70 (+ 5) on block fpga_hm, actual ratio is 64.
Optimizing block fpga_hm> to meet ratio 70 (+ 5) of 1536 slices :
WARNING:Xst - Area constraint could not be met for block tge>, final ratio is 94
```

(+5) represents the max margin of the area constraint. If the area constraint is not met, but the difference between the requested area and actual area, achieved during area optimization, is less or equal then 5%, then XST runs timing optimization taking into account the achieved area, and making sure that the final area solution does not exceed that figure.

In the following example, the area target was specified as 55%. XST achieved only 60%. But taking into account that the difference between requested and achieved area is not more than 5%, XST considers that the area constraint was met, and ensures that it is not broken by further optimizations.

```
=====
*                               Low Level Synthesis                               *
=====
Found area constraint ratio of 55 (+ 5) on block fpga_hm, actual ratio is 64.
Optimizing block fpga_hm> to meet ratio 55 (+ 5) of 1536 slices :
Area constraint is met for block fpga_hm>, final ratio is 60.
```

In some situations, it is important to disable automatic resource management. To do so, specify -1 as the value for [SLICE_UTILIZATION_RATIO](#). [Slice \(LUT-FF Pairs\) Utilization Ratio \(SLICE_UTILIZATION_RATIO\)](#) can be applied to a specific block of the design. You can specify an absolute number of slices (or **FF-LUT** pairs), or a percentage of the total number available on the device.

Implementation Constraints

XST writes all implementation constraints found in the HDL source code or in an XCF constraints file to the output NGC file. [Keep \(KEEP\)](#) properties are generated during buffer insertion for maximum fanout control or for optimization.

Xilinx Device Primitive Support

This section discusses Xilinx® Device Primitive Support, and includes:

- [About Xilinx Device Primitive Support](#)
- [Generating Primitives Through Attributes](#)
- [Primitives and Black Boxes](#)
- [VHDL and Verilog Xilinx Device Primitives Libraries](#)
- [Specifying Primitive Properties](#)
- [Reporting of Instantiated Device Primitives](#)
- [Primitives Related Constraints](#)
- [Primitives Coding Examples](#)

About Device Primitive Support

XST lets you to instantiate any Xilinx® device primitive directly in the HDL source code. These primitives are:

- Pre-compiled in the UNISIM library
- Not optimized or changed by XST by default
- Preserved by XST and made available in the final NGC netlist

Use [Optimize Instantiated Primitives \(OPTIMIZE_PRIMITIVES\)](#) to let XST try to optimize instantiated primitives with the rest of the design. Timing information is available for most of the primitives, allowing XST to perform efficient timing-driven optimizations.

In order to simplify instantiation of complex primitives such as RAMs, XST supports an additional library called UniMacro. For more information, see the *Libraries Guides*.

Generating Primitives Through Attributes

Some primitives can be generated through attributes:

- [Buffer Type \(BUFFER_TYPE\)](#) can be assigned to the circuit primary I/Os or to internal signals to force the use of a specific buffer type. The same constraints can be used to disable buffer insertion.
- [I/O Standard \(IOSTANDARD\)](#) can be used to assign an I/O standard to an I/O primitive. For example, the following assigns `PCI33_5` I/O standard to the I/O port:

```
// synthesis attribute IOSTANDARD of in1 is PCI33_5
```

Primitives and Black Boxes

Primitive support is based on the concept of the black box. For information on the basics of black box support, see [Finite State Machine \(FSM\) Safe Implementation](#)

There is a significant difference between black box and primitive support. Assume a design with a submodule called `MUXF5`. In general, the `MUXF5` can be your own functional block or a Xilinx® device primitive. To avoid confusion about how XST interprets this module, attach [BoxType \(BOX_TYPE\)](#) to the component declaration of `MUXF5`.

If [BoxType \(BOX_TYPE\)](#) is applied to the `MUXF5` with a value of:

- `primitive` or `black_box`
XST tries to interpret this module as a Xilinx device primitive and use its parameters, for instance, in critical path estimation.
- `user_black_box`
XST processes it as a regular user black box.

If the name of the **user_black_box** is the same as that of a Xilinx device primitive, XST renames it to a unique name and issues a warning. For example, **MUX5** could be renamed to **MUX51**.

```
WARNING:Xst:79 - Model 'muxf5' has different characteristics in destination library
WARNING:Xst:80 - Model name has been changed to 'muxf51'
```

If **BoxType (BOX_TYPE)** is not applied to the **MUXF5**, XST processes this block as a user hierarchical block. If the name of the **user_black_box** is the same as that of a Xilinx device primitive, XST renames it to a unique name and issues a warning.

VHDL and Verilog Xilinx Device Primitives Libraries

This section discusses VHDL and Verilog Xilinx® Device Primitives Libraries, and includes:

- [About VHDL and Verilog Xilinx Device Primitives Libraries](#)
- [VHDL Xilinx Device Primitives Device Libraries](#)
- [Verilog Device Primitives Device Libraries](#)
- [Primitive Instantiation Guidelines](#)

About VHDL and Verilog Xilinx Device Primitives Libraries

About VHDL and Verilog Xilinx Device Primitives Libraries

XST provides dedicated VHDL and Verilog libraries to simplify instantiation of Xilinx® device primitives in the HDL source code. These libraries contain the complete set of Xilinx device primitives declarations with **BoxType (BOX_TYPE)** applied to each component. If you have properly included those libraries, you need not apply **BoxType (BOX_TYPE)** itself.

VHDL Xilinx® Device Primitives Device Libraries

In VHDL, declare library UNISIM with its package **vcomponents** in the HDL source code.

```
library unisim;
use unisim.vcomponents.all;
```

The HDL source code for this package is located in the following file of the XST installation:

```
vhdl\src\ unisims\unisims_vcomp.vhd
```

Verilog Device Primitives Device Libraries

In Verilog, the UNISIM library is precompiled. XST automatically links it with your design.

Primitive Instantiation Guidelines

Use UPPER CASE for generic (VHDL) and parameter (Verilog) values when instantiating primitives. For example the **ODDR** element has the following component declaration in the UNISIM library:

```
component ODDR
generic (
    DDR_CLK_EDGE : string := "OPPOSITE_EDGE";
    INIT : bit := '0';
    SRTYPE : string := "SYNC");
port(
    Q : out std_ulogic;
    C : in std_ulogic;
    CE : in std_ulogic;
    D1 : in std_ulogic;
    D2 : in std_ulogic;
    R : in std_ulogic;
    S : in std_ulogic);
end component;
```


When you instantiate this primitive, the values of **DDR_CLK_EDGE** and **SRTYPE** generics must be in UPPER CASE. If not, XST issues a warning stating that unknown values are used. Some primitives, such as **LUT1**, enable you to use an **INIT** during instantiation. The two ways to pass an **INIT** to the final netlist are:

- Apply **INIT** to the instantiated primitive.
- Pass **INIT** with the generics mechanism (VHDL) or the parameters mechanism (Verilog). This allows you to use the same code for synthesis and simulation.

Specifying Primitive Properties

Use VHDL generics or Verilog parameters to specify properties on instantiated primitives, such as the **INIT** of an instantiated **LUT**. In order to avoid potential simulation mismatches, Xilinx® does not recommend doing so by means of attributes specified in the HDL source code, or through XCF constraints. XST flags attempts to do so as follows:

```
WARNING:Xst:#### - Instance <I_FDE> has both an attribute 'INIT'
(value: 0) and a generic/parameter with the same name (value: 1),
potentially leading to a simulation mismatch. VHDL Generics or Verilog
parameters are the generally recommended mechanism to attach properties
to instantiated device primitives or black-boxes.
```

Simulation tools recognize generics and parameters, simplifying the circuit validation process.

Reporting of Instantiated Device Primitives

XST processes instantiated device primitives silently, because **BoxType (BOX_TYPE)** with its value, primitive, is applied to each primitive in the UNISIM library.

XST issues a warning if:

- You instantiate a block (non primitive), and
- The block has no contents (no logic description)
OR
- The block has a logic description
AND
- You apply **BoxType (BOX_TYPE)** to it with a value of **user_black_box**

```
Elaborating entity <example> (architecture <archi>) from library <work>.
WARNING:HDLCompiler:89 - "example.vhd" Line 15: <my_block> remains a
black-box since it has no binding entity.
```

Primitives Related Constraints

- **BoxType (BOX_TYPE)**
- Constraints for placement and routing that can be passed from HDL to NGC without any specific XST processing

Primitives Coding Examples

Coding examples are accurate as of the date of publication. Download updates and other examples from ftp://ftp.xilinx.com/pub/documentation/misc/xstug_examples.zip. Each directory contains a `summary.txt` file listing all examples together with a brief overview.

Instantiating and Configuring a LUT2 Primitive with a Generic VHDL Coding Example

```
--
-- Instantiating a LUT2 primitive
-- Configured via the generics mechanism (recommended)
--
-- Download: ftp://ftp.xilinx.com/pub/documentation/misc/xstug_examples.zip
-- File: FPGA_Optimization/primitive_support/primitive_2.vhd
--
library ieee;
use ieee.std_logic_1164.all;

library unisim;
use unisim.vcomponents.all;

entity primitive_2 is
    port(I0,I1 : in std_logic;
         O      : out std_logic);
end primitive_2;

architecture beh of primitive_2 is
begin

    inst : LUT2
        generic map (INIT=>"1")
        port map (I0=>I0, I1=>I1, O=>O);

end beh;
```

Instantiating and Configuring a LUT2 Primitive with a Parameter Verilog Coding Example

```
//
// Instantiating a LUT2 primitive
// Configured via the parameter mechanism
//
// Download: ftp://ftp.xilinx.com/pub/documentation/misc/xstug_examples.zip
// File: FPGA_Optimization/primitive_support/primitive_2.v
//
module v_primitive_2 (I0,I1,O);
    input I0,I1;
    output O;

    LUT2 #(4'h1) inst (.I0(I0), .I1(I1), .O(O));

endmodule
```

Instantiating and Configuring a LUT2 Primitive with a Defparam Verilog Coding Example

```
//
// Instantiating a LUT2 primitive
// Configured via the defparam mechanism
//
// Download: ftp://ftp.xilinx.com/pub/documentation/misc/xstug_examples.zip
// File: FPGA_Optimization/primitive_support/primitive_3.v
//
module v_primitive_3 (I0,I1,O);
    input I0,I1;
    output O;

    LUT2 inst (.I0(I0), .I1(I1), .O(O));
    defparam inst.INIT = 4'h1;

endmodule
```

Using the UniMacro Library

In order to simplify instantiation of such complex primitives as RAMs, XST supports an additional library called UniMacro. For more information, see the *Libraries Guides*.

In VHDL, declare library `unimacro` with its package `vcomponents`.

```
library unimacro;
use unimacro.vcomponents.all;
```

The HDL source code of this package can be found in the `vhdl\src\unisims\unisims_vcomp.vhd` file in the Xilinx® software installation.

In Verilog, the UniMacro library is precompiled. XST automatically links it with your design.

Cores Processing

This section discusses Cores Processing and includes:

- [Loading Cores](#)
- [Finding Cores](#)
- [Cores Reporting](#)

Loading Cores

If a design contains cores in the form of EDIF or NGC netlist files, XST can automatically read them for more accurate timing estimation and resource utilization control.

To enable or disable this feature:

- In ISE® Design Suite, select **Process > Properties > Synthesis Options > Read Cores**.
- In command line mode, use `-read_cores`.

In this case, an additional optimize value is available to allow XST to integrate the core netlist into the overall design, and try to optimize it.

XST reads cores by default.

Finding Cores

XST automatically finds cores in the ISE® Design Suite project directory. If the cores are located elsewhere, specify the path as follows:

- In ISE Design Suite, select **Process > Properties > Synthesis Options > Core Search Directories**.
- In command line mode, use `-sd`.

Xilinx® recommends that you systematically specify the directories where the cores reside, and that you keep this information up to date. In addition to better timing and resource estimation, doing so can protect you against unexpected behaviors and hard to debug situations.

For example, without knowing the contents of an unloaded core (seen as a black box), XST may have difficulty determining adequate buffer insertions on paths leading to that core. This can negatively impact timing closure.

Cores Reporting

```
=====
*                               Low Level Synthesis                               *
=====
Launcher: Executing edif2ngd -noa "my_add.edn" "my_add.ngo"
INFO:NgdBuild - Release 11.2 - edif2ngd
INFO:NgdBuild - Copyright (c) 1995-2009 Xilinx, Inc. All rights reserved.
Writing the design to "my_add.ngo"...
Loading core <my_add> for timing and area information for instance <inst>.
=====
```

Mapping Logic to LUTs

Use the UNISIM library to directly instantiate **LUT** components in the HDL source code. To specify a function that a **LUT** must execute, apply **INIT** to the instance of the **LUT**. To place an instantiated **LUT** or register in a particular slice of the chip, attach **RLOC** to the same instance.

It is not always convenient to calculate **INIT** functions. Other methods can be used to achieve this. Alternatively, you can describe the function that you want to map onto a single **LUT** in the HDL source code in a separate block. Attaching [Map Entity on a Single LUT \(LUT_MAP\)](#) to this block indicates to XST that this block must be mapped on a single **LUT**. XST automatically calculates the **INIT** value for the **LUT** and preserves this **LUT** during optimization. For more information, see [Map Entity on a Single LUT \(LUT_MAP\)](#).

XST automatically recognizes the Synplicity XC_MAP constraint.

If a function cannot be mapped on a single **LUT**, XST errors out as follows.

```
ERROR:Xst:1349 - Failed to map xcmmap entity <v_and_one> in one lut.
```

Mapping Logic to LUTs Verilog Coding Example

Coding examples are accurate as of the date of publication. Download updates and other examples from ftp://ftp.xilinx.com/pub/documentation/misc/xstug_examples.zip. Each directory contains a `summary.txt` file listing all examples together with a brief overview.

In the following example, the top block instantiates two **AND** gates, respectively described in blocks **and_one** and **and_two**. XST generates two **LUT2s** and does not merge them.

```
//
// Mapping of Logic to LUTs with the LUT_MAP constraint
// Mapped to 2 distinct LUT2s
// Mapped to 1 single LUT3 if LUT_MAP constraints are removed
//
// Download: ftp://ftp.xilinx.com/pub/documentation/misc/xstug_examples.zip
// File: FPGA_Optimization/lut_mapping/lut_map_1.v
//

(* LUT_MAP="yes" *)
module v_and_one (A, B, REZ);
    input A, B;
    output REZ;

    and and_inst(REZ, A, B);
endmodule

// -----

(* LUT_MAP="yes" *)
module v_and_two (A, B, REZ);
    input A, B;
    output REZ;

    or or_inst(REZ, A, B);
endmodule

// -----

module v_lut_map_1 (A, B, C, REZ);
    input A, B, C;
    output REZ;

    wire tmp;

    v_and_one inst_and_one (A, B, tmp);
    v_and_two inst_and_two (tmp, C, REZ);
endmodule
```

Controlling Placement on the Device

You can control placement of the following inferred macros to a specific location on the targeted device:

- Registers
- Block RAMs

To do so, apply **RLOC** to the signal modelling the register or the RAM, as shown in the following coding examples. When applied on a register, XST distributes the constraint to each flip-flop, and propagates **RLOC** constraints to the final netlist. **RLOC** is supported for inferred RAMs that can be implemented with a single block RAM primitive.

RLOC Constraint on a 4-Bit Register VHDL Coding Example

Coding examples are accurate as of the date of publication. Download updates and other examples from ftp://ftp.xilinx.com/pub/documentation/misc/xstug_examples.zip. Each directory contains a `summary.txt` file listing all examples together with a brief overview.

The following coding example specifies an **RLOC** constraint on a 4-bit register:

```
--
-- Specification of INIT and RLOC values for a flip-flop, described at RTL level
--
-- Download: ftp://ftp.xilinx.com/pub/documentation/misc/xstug_examples.zip
-- File: FPGA_Optimization/inits_and_rlocs/inits_rlocs_3.vhd
--
library ieee;
use ieee.std_logic_1164.all;

entity inits_rlocs_3 is
    port (CLK : in std_logic;
          DI  : in std_logic_vector(3 downto 0);
          DO  : out std_logic_vector(3 downto 0));
end inits_rlocs_3;

architecture beh of inits_rlocs_3 is
    signal tmp: std_logic_vector(3 downto 0):="1011";

    attribute RLOC: string;
    attribute RLOC of tmp: signal is "X3Y0 X2Y0 X1Y0 X0Y0";
begin

    process (CLK)
    begin
        if (clk'event and clk='1') then
            tmp <= DI;
        end if;
    end process;

    DO <= tmp;

end beh;
```

Inserting Buffers

XST automatically inserts clock and I/O buffers. Insertion of I/O buffers can be enabled or disabled with [Add I/O Buffers \(-iobuf\)](#). It is enabled by default.

You can also manually instantiate clock and I/O buffers. XST does not attempt to change instantiated device primitives, but simply propagates them to the final netlist.

Using the PCI Flow With XST

This section discusses Using the PCI™ Flow With XST, and includes:

- [About Using the PCI Flow With XST](#)
- [Preventing Logic and Flip-Flop Replication](#)
- [Disabling Read Cores](#)

About Using the PCI Flow With XST

To satisfy placement constraints and meet timing requirements when using the PCI™ flow with XST:

- For VHDL, ensure that the names in the generated netlist are all in UPPER case. The default case is lower. Specify the case in ISE® Design Suite in:
Process > Properties > Synthesis Options > Case
- For Verilog, ensure that the case is set to **maintain**. The default is **maintain**. Specify the case in ISE Design Suite in:
Process > Properties > Synthesis Options > Case
- Preserve the hierarchy of the design. Specify the [Keep Hierarchy \(KEEP_HIERARCHY\)](#) setting in ISE Design Suite in:
Process > Properties > Synthesis Options > Keep Hierarchy
- Preserve equivalent flip-flops. XST removes equivalent flip-flops by default. Specify the [Equivalent Register Removal \(EQUIVALENT_REGISTER_REMOVAL\)](#) setting in ISE Design Suite in:
Process > Properties > Xilinx Specific Options > Equivalent Register Removal

Preventing Logic and Flip-Flop Replication

To prevent logic and flip-flop replication caused by a high fanout flip-flop set/reset signal:

- Set a high maximum fanout value for the entire design in ISE® Design Suite in **Process > Properties > Xilinx Specific Options > Max Fanout**
OR
- Use [Max Fanout \(MAX_FANOUT\)](#) to set a high maximum fanout value for the initialization signal connected to the RST port of PCI™ core (for example, **max_fanout=2048**).

Disabling Read Cores

Disabling [Read Cores \(READ_CORES\)](#) prevents XST from automatically loading the PCI™ cores for timing and area estimation. When reading PCI cores, XST may perform logic optimizations that do not allow the design to meet timing requirements, or which might lead to errors during MAP. To disable [Read Cores \(READ_CORES\)](#), uncheck it in ISE® Design Suite in **Process > Properties > Synthesis Options > Read Cores**.

By default, XST reads cores for timing and area estimation.

XST Design Constraints

Note The *XST User Guide for Virtex-6 and Spartan-6 Devices* applies to Xilinx® Virtex®-6 and Spartan®-6 devices only. For information on using XST with other devices, see the *XST User Guide*.

This chapter provides general information about XST Design Constraints, and includes:

- [About Constraints](#)
- [Specifying Constraints](#)
- [Constraints Precedence Rules](#)
- [Synthesis Options in ISE® Design Suite](#)
- [VHDL Attributes](#)
- [Verilog-2001 Attributes](#)
- [XST Constraint File \(XCF\)](#)

For information about specific XST design constraints, see the following chapters:

- [Chapter 10, XST General Constraints](#)
- [Chapter 11, XST HDL Constraints](#)
- [Chapter 12, XST FPGA Constraints \(Non-Timing\)](#)
- [Chapter 13, XST Timing Constraints](#)
- [Chapter 14, XST-Supported Third Party Constraints](#)

About Constraints

Constraints can help you meet design goals and obtain the best circuit implementation. Constraints control various aspects of synthesis, as well as placement and routing. Default synthesis algorithms and heuristics have been tuned to provide the best possible results for a large variety of designs. However, if synthesis initially fails to deliver satisfying results, use those constraints to try other, non-default, synthesis alternatives.

Specifying Constraints

The following mechanisms are available to specify constraints:

- Options provide global control on most synthesis aspects. They can be set either in ISE® Design Suite, or through the **run** command in command line mode. For more information, see [Running XST in Command Line Mode](#) in [Chapter 2, Creating and Synthesizing an XST Project](#).
- VHDL attributes can be directly inserted in VHDL code, and applied to individual elements of the design to control, not only synthesis, but also placement and routing.
- Constraints can be added as Verilog attributes (preferred) or Verilog meta comments.
- Constraints can be specified in a separate constraint file.

Global synthesis settings are typically defined in ISE Design Suite, or from the XST command line. VHDL and Verilog attributes and Verilog meta comments can be inserted into the HDL source code to specify different choices for individual parts or elements of the design. See [Constraints Precedence Rules](#) to understand how the tool determines which constraint applies when set from different sources, and on different HDL objects.

Constraints Precedence Rules

As a general rule, the local specification of a constraint overrides any other specification that applies more globally. For example, if a constraint is set both on a signal (or an instance) and on the design unit that contains it, the former takes precedence for that signal (or instance). Similarly, a constraint applied to a signal (or an instance, or even an entity or module), takes precedence over its specification on the XST command line, or through ISE® Design Suite.

If a constraint is applied to the same object using different entry methods, the following precedence applies, from the highest to the lowest priority:

1. XST Constraint File (XCF)
2. Hardware Description Language (HDL) attribute
3. ISE Design Suite in **Process > Properties**, or the command line

Synthesis Options in ISE Design Suite

This section discusses Synthesis Options in ISE® Design Suite, and includes:

- [Setting XST Options in ISE Design Suite](#)
- [Setting Other XST Command Line Options](#)
- [Design Goals and Strategies](#)

Setting XST Options in ISE Design Suite

To set XST options in ISE® Design Suite:

1. Select an HDL source file from the Hierarchy panel of the Design window.
 - a. Right-click **Synthesize-XST** in the **Processes** panel.
 - b. Select **Process > Properties**.
 - c. Select a category:
 - **Synthesis Options**
 - **HDL Options**
 - **Xilinx Specific Options**
2. Set the **Property** display level to:
 - a. **Standard** to see the most common options
 - b. **Advanced** to see all available options
3. Check **Display switch names** to see the corresponding command-line switch name for each option.

To revert to the XST default options, click **Default**.

Setting Other XST Command Line Options

In addition to the default options listed in the **Process > Properties** window, you can specify any other unlisted XST command line options.

1. Go to **Process > Properties**.
2. **Select Synthesis Options**.
3. In **Other XST Command Line Options**, add the desired command line options in the corresponding Value field. Separate multiple options with a space. Follow the syntax described in [XST Commands](#) in [Chapter 2, Creating and Synthesizing an XST Project](#).

Design Goals and Strategies

ISE® Design Suite features predefined goals and strategies that allow you to run the software, including XST, with specific options settings that have been tuned for particular optimization goals. This approach may be a good alternative for trying non-default constraints settings, without having to go too much into the details of all XST constraints.

To create and save your own design goals and strategies, select **Project > Design Goals & Strategies**.

VHDL Attributes

Use VHDL attributes to describe constraints directly in the HDL source code. Before it can be used, you must declare an attribute as follows:

```
attribute AttributeName : Type ;
```

VHDL Attribute Syntax Example

```
attribute RLOC : string ;
```

The attribute **type** defines the type of the attribute value. The only allowed type for XST is **string**.

An attribute can be declared in an entity or architecture.

- If the attribute is declared in the architecture, it cannot be used in the entity declaration.
- Once declared, a VHDL attribute can be specified as follows:

```
attribute AttributeName of ObjectList : ObjectType is AttributeValue ;
```

VHDL Attribute Example

```
attribute RLOC of u123 : label is "R11C1.S0" ;  
attribute bufg of my_signal : signal is "sr" ;
```

The object list is a comma separated list of identifiers. Accepted object types are:

- **entity**
- **architecture**
- **component**
- **label**
- **signal**
- **variable**
- **type**

If a constraint can be applied on a VHDL entity, it can also be applied on the component declaration.

Verilog-2001 Attributes

This section discusses Verilog-2001 Attributes, and includes:

- [About Verilog-2001 Attributes](#)
- [Verilog-2001 Syntax](#)
- [Verilog-2001 Limitations](#)
- [Verilog Meta Comments](#)

About Verilog-2001 Attributes

XST supports Verilog-2001 attribute statements. Attributes pass specific information to applications such as synthesis tools. Verilog-2001 attributes can be specified anywhere for operators or signals within module declarations and instantiations. Although the compiler may support other attribute declarations, XST ignores them.

Use Verilog attributes to:

- Set constraints on individual objects such as:
 - **modules**
 - **instances**
 - **nets**
- Set the following specific synthesis constraints:
 - [Full Case \(FULL_CASE\)](#)
 - [Parallel Case \(PARALLEL_CASE\)](#)

Verilog-2001 Syntax

Verilog-2001 inline attributes are enclosed between (* and *) tokens, and use the following general syntax:

```
(* attribute_name = attribute_value *)
```

where

- The **attribute_value** is a string. No integer or scalar values are allowed.
- The **attribute_value** is enclosed between quotes.
- The default value is **1**. Therefore **(* attribute_name *)** is equivalent to **(* attribute_name = "1" *)**.

Place the attribute immediately before the signal, module, or instance declaration to which it refers. This can be done on a separate line, as follows:

```
(* ram_extract = "yes" *)  
reg [WIDTH-1:0] myRAM [SIZE-1:0];
```

The attribute can also be placed on the same line as the declaration. For example:

```
(* ram_extract = "yes" *) reg [WIDTH-1:0] myRAM [SIZE-1:0];
```

A comma-separated list of several attributes may be specified as follows. These attributes will be attached to the same Verilog object.

```
(* attribute_name1 = attribute_value1, attribute_name2 = attribute_value2 *)
```

The following style is also acceptable:

```
(* attribute_name1 = attribute_value1 *) (*attribute_name2 = attribute_value2 *)
```

For improved readability, the attribute list may span on multiple lines. For example:

```
(*
  ram_extract = "yes",
  ram_style = "block"
*)
reg [WIDTH-1:0] myRAM [SIZE-1:0];
```

Verilog-2001 Attribute Coding Example

Coding examples are accurate as of the date of publication. Download updates and other examples from ftp://ftp.xilinx.com/pub/documentation/misc/xstug_examples.zip. Each directory contains a `summary.txt` file listing all examples together with a brief overview.

The following coding example illustrates various ways to specify attributes in Verilog, attaching one or several properties respectively to a module, to a port, and to internal signals. In addition, **full_case** and **parallel_case** directives are also attached to a **case** construct using the attribute syntax.

```
//
// Verilog 2001 attribute examples
//
// Download: ftp://ftp.xilinx.com/pub/documentation/misc/xstug_examples.zip
// File: Verilog_Language_Support/attributes/vlgattrib2001_1.v
//
(* mux_extract = "no" *)
module vlgattrib2001_1 (clk, we1, we2, sel, re1, re2, waddr, raddr, di, do);

  (* max_fanout = "100", buffer_type = "none" *) input clk;
  input [1:0] sel;
  input we1, we2;
  input re1, re2;
  input [7:0] waddr;
  input [7:0] raddr;
  input [15:0] di;
  output reg [15:0] do;

  (* mux_extract = "yes",
     use_clock_enable = "no" *)
  reg re;

  (*
     ram_extract = "yes",
     ram_style = "block"
  *)
  reg [15:0] RAM [255:0];

  (* keep = "true" *) wire we;

  assign we = we1 | we2;

  always @ (posedge clk)
  begin
    (* full_case *) (* parallel_case *)
    case (sel)
      2'b00 : re <= re1 & re2;
      2'b01 : re <= re1 | re2;
      2'b10 : re <= re1;
      2'b11 : re <= re2;
    endcase
  end

  always @ (posedge clk)
  begin
    if (we)
      RAM[waddr] <= di;
    if (re)
      do <= RAM[raddr];
  end
end
endmodule
```

Verilog-2001 Limitations

Verilog-2001 attributes are not supported for:

- Signal declarations
- Statements
- Port connections
- Expression operators

Verilog Meta Comments

Constraints can also be specified in Verilog code using meta comments. Verilog-2001 attribute syntax is preferred. The Verilog meta comment syntax is:

```
// synthesis attribute AttributeName [of] ObjectName [is] AttributeValue
```

Verilog Meta Comment Syntax Examples

```
// synthesis attribute RLOC of u123 is R11C1.S0
// synthesis attribute HU_SET u1 MY_SET
// synthesis attribute bufg of my_clock is "clk"
```

The following constraints use a different syntax:

- [Full Case \(FULL_CASE\)](#)
- [Parallel Case \(PARALLEL_CASE\)](#)
- [Translate Off \(TRANSLATE_OFF\)](#) and [Translate On \(TRANSLATE_ON\)](#)

For more information, see [Verilog 2001 Attributes and Meta Comments](#) in [Chapter 4, XST Verilog Support](#).

XST Constraint File (XCF)

This section discusses the XST Constraint File (XCF), and includes:

- [About the XST Constraint File \(XCF\)](#)
- [Native and Non-Native User Constraints File \(UCF\) Syntax](#)
- [Syntax Limitations](#)
- [Timing Constraints Applicable Only Through the XST Constraint File \(XCF\)](#)

About the XST Constraint File (XCF)

Rather than specifying XST constraints in the HDL source code, you can specify them in the XST Constraint File (XCF). The XCF file has an extension of `.xcf`.

To specify an XCF file in ISE® Design Suite:

1. Select an HDL source file from **Design > Hierarchy**.
2. Right-click **Processes > Synthesize-XST**.
3. Select **Process > Properties**.
4. Select **Synthesis Options**.
5. Edit **Synthesis Constraints File**.
6. Check **Synthesis Constraints File**.
7. To specify the XCF in command line mode, use **Synthesis Constraint File (-uc)** with the **run** command.

For more information about the **run** command and running XST from the command line, see [XST Commands](#) in [Chapter 2, Creating and Synthesizing an XST Project](#).

The XCF syntax enables you to specify constraints that are applicable to:

- The entire design
- Specific entities or modules

The XCF syntax is an extension of the User Constraints File (UCF) syntax. You apply constraints to nets or instances in the same manner. In addition, the XCF syntax allows constraints to be applied to specific levels of the design hierarchy. Use the keyword **MODEL** to define the entity or module to which the constraint is applied. If a constraint is applied to an entity or module, the constraint is effective for each instantiation of the entity or module.

Define constraints in ISE Design Suite in **Process > Properties**, or the XST **run** command on the command line. Specify exceptions in the XCF file. The constraints specified in the XCF file are applied only to the module listed, and not to any submodules below it.

To apply a constraint to the entire entity or module use the following syntax:

```
MODEL entityname constraintname = constraintvalue;
```

Coding Example

```
MODEL top mux_extract = false;  
MODEL my_design max_fanout = 256;
```

If the entity **my_design** is instantiated several times in the design, the **max_fanout=256** constraint is applied to each instance of **my_design**.

To apply constraints to specific instances or signals within an entity or module, use the **INST** or **NET** keywords. XST does not support constraints that are applied to VHDL variables.

The syntax is:

```
BEGIN MODEL entityname  
  
INST instancename constraintname = constraintvalue ;  
NET signalname constraintname = constraintvalue ;  
  
END;
```

Syntax Example

```
BEGIN MODEL crc32  
    INST stopwatch opt_mode = area ;  
    INST U2 ram_style = block ;  
    NET myclock clock_buffer = true ;  
    NET data_in iob = true ;  
END;
```

Native and Non-Native User Constraints File (UCF) Syntax

All XST-supported constraints can be divided into two groups:

- [Native User Constraints File \(UCF\) Constraints](#)
- [Non-Native User Constraints File \(UCF\) Constraints](#)

Native User Constraints File (UCF) Constraints

Only Timing and Area Group constraints use native User Constraints File (UCF) syntax. Use this syntax, including wildcards and hierarchical names, for such native UCF constraints as:

- [Period \(PERIOD\)](#)
- [Offset \(OFFSET\)](#)
- [From-To \(FROM-TO\)](#)
- [Timing Name \(TNM\)](#)
- [Timing Name on a Net \(TNM_NET\)](#)
- [Timegroup \(TIMEGRP\)](#)
- [Timing Ignore \(TIG\)](#)

Do not use these constraints inside a **BEGIN MODEL... END** construct. If you do so, XST issues an error.

Non-Native User Constraints File (UCF) Constraints

For all non-native User Constraints File (UCF) constraints, use the **MODEL** or **BEGIN MODEL... END;** constructs. They include:

- Pure XST constraints such as:
 - [Automatic FSM Extraction \(FSM_EXTRACT\)](#)
 - [RAM Style \(RAM_STYLE\)](#)
- Implementation non-timing constraints such as:
 - [RLOC](#)
 - [Keep \(KEEP\)](#)

In XST, the default hierarchy separator is a forward slash (/). Use this separator when specifying timing constraints that apply to hierarchical instance or net names in the XST Constraint File (XCF). Change the hierarchy separator inserted by XST with the [Hierarchy Separator \(-hierarchy_separator\)](#) option.

Syntax Limitations

XST Constraint File (XCF) syntax has the following limitations:

- Nested model statements are not supported.
- Instance or signal names listed between the **BEGIN MODEL** statement and the **END** statement are only the ones visible inside the entity. Hierarchical instance or signal names are not supported.
- Wildcards in instance and signal names are not supported, except in timing constraints.
- Not all native User Constraints File (UCF) constraints are supported. For more information, see the [Constraints Guide](#)

Timing Constraints Applicable Only Through the XST Constraint File (XCF) File

The following timing constraints can be applied for synthesis only through the XST Constraint File (XCF):

- [Period \(PERIOD\)](#)
- [Offset \(OFFSET\)](#)
- [From-To \(FROM-TO\)](#)
- [Timing Name \(TNM\)](#)
- [Timing Name on a Net \(TNM_NET\)](#)
- [Timegroup \(TIMEGRP\)](#)
- [Timing Ignore \(TIG\)](#)
- [Timing Specifications \(**TIMESPEC**\)](#) (See the [Constraints Guide](#).)
- [Timing Specification Identifier \(**TSidentifier**\)](#) (See the [Constraints Guide](#).)

These timing constraints are not only propagated to implementation tools. They are also understood by XST, and influence synthesis optimization. To pass these constraints to Place and Route (PAR), select [Write Timing Constraints \(-write_timing_constraints\)](#) . For more information as to the value and target of each constraint, see the [Constraints Guide](#).

XST General Constraints

Note The *XST User Guide for Virtex-6 and Spartan-6 Devices* applies to Xilinx® Virtex®-6 and Spartan®-6 devices only. For information on using XST with other devices, see the *XST User Guide*.

This chapter discusses XST General Constraints, and includes:

- Add I/O Buffers (`-iobuf`)
- BoxType (`BOX_TYPE`)
- Bus Delimiter (`-bus_delimiter`)
- Case (`-case`)
- Case Implementation Style (`-vlgcase`)
- Verilog Macros (`-define`)
- Duplication Suffix (`-duplication_suffix`)
- Full Case (`FULL_CASE`)
- Generate RTL Schematic (`-rtlview`)
- Generics (`-generics`)
- Hierarchy Separator (`-hierarchy_separator`)
- I/O Standard (`IOSTANDARD`)
- Keep (`KEEP`)
- Keep Hierarchy (`KEEP_HIERARCHY`)
- Library Search Order (`-lso`)
- LOC (`loc`)
- Netlist Hierarchy (`-netlist_hierarchy`)
- Optimization Effort (`OPT_LEVEL`)
- Optimization Goal (`OPT_MODE`)
- Parallel Case (`PARALLEL_CASE`)
- RLOC (`rloc`)
- Save (`S / SAVE`)
- Synthesis Constraint File (`-uc`)
- Translate Off (`TRANSLATE_OFF`) and Translate On (`TRANSLATE_ON`)
- Ignore Synthesis Constraints File (`-iuc`)
- Verilog Include Directories (`-vlgincdir`)
- HDL Library Mapping File (`-xsthdpini`)
- Work Directory (`-xsthdpdir`)

Add I/O Buffers (`-iobuf`)

Add I/O Buffers (`-iobuf`) enables or disables I/O buffer insertion. XST automatically inserts Input/Output Buffers into the design. If you manually instantiate I/O Buffers for some or all the I/Os, XST inserts I/O Buffers only for the remaining I/Os. To prevent XST from inserting any I/O Buffers, set `-iobuf` to `no`. Add I/O Buffers is useful for synthesizing a part of a design to be instantiated later.

The values for this constraint are:

- `yes` (default)
- `no`

When `yes` is selected, `IBUF` and `IOBUF` primitives are generated. `IBUF` and `OBUF` primitives are connected to I/O ports of the top-level module. When XST is called to synthesize an internal module that is instantiated later in a larger design, you must select the no option. If I/O buffers are added to a design, this design cannot be used as a submodule of another design.

Architecture Support

Applies to Virtex®-6 and Spartan®-6 devices

Applicable Elements

Applies globally

Propagation Rules

Applies to design primary I/Os

Syntax Examples

The following examples show how to use this constraint with particular tools or methods. If a tool or method is not listed, you cannot use this constraint with it.

XST Command Line Syntax Example

Define globally with the `run` command:

```
-iobuf {yes|no|true|false|soft}
```

The default is `yes`.

ISE Design Suite Syntax Example

Define globally in ISE Design Suite in:

Process > Properties > Xilinx-Specific Options > Add I/O Buffers

BoxType (`BOX_TYPE`)

Box Type (`BOX_TYPE`) is a synthesis constraint.

The values for this constraint are:

- `primitive`
- `black_box`
- `user_black_box`

These values instruct XST not to synthesize the behavior of a module.

The `black_box` value is equivalent to `primitive`. It will eventually become obsolete.

If `user_black_box` is specified, XST reports inference of a black box in the log file. It does not do so if primitive is specified.

If Box Type is applied to at least a single instance of a block of a design, Box Type is propagated to all other instances of the entire design. This feature was implemented for Verilog and the XST Constraint File (XCF) in order to provide support similar to VHDL, where Box Type can be applied to a component.

Architecture Support

Applies to Virtex®-6 and Spartan®-6 devices

Applicable Elements

Applies to the following design elements:

- VHDL
component, entity
- Verilog
module, instance
- XCF
model, instance

Propagation Rules

Applies to the design element to which it is attached

Syntax Examples

The following examples show how to use this constraint with particular tools or methods. If a tool or method is not listed, you cannot use this constraint with it.

VHDL Syntax Example

Declare as follows:

```
attribute box_type: string;
```

Specify as follows:

```
attribute box_type of {component_name/entity_name} : {component|entity} is  
"{primitive|black_box|user_black_box}";
```

Verilog Syntax Example

Place immediately before the instantiation:

```
(* box_type = "{primitive|black_box|user_black_box}" *)
```

XCF Syntax Example One

```
MODEL "entity_name" box_type="{primitive|black_box|user_black_box}";
```

XCF Syntax Example Two

```
BEGIN MODEL "entity_name"  
INST "instance_name" box_type="{primitive|black_box|user_black_box}"; END;
```

Bus Delimiter (`-bus_delimiter`)

Bus Delimiter (`-bus_delimiter`) defines the format used to write the signal vectors in the result netlist. The available possibilities are:

- `<>` (default)
- `[]`
- `{}`
- `()`

Architecture Support

Applies to Virtex®-6 and Spartan®-6 devices

Applicable Elements

Applies to syntax

Propagation Rules

Not applicable

Syntax Examples

The following examples show how to use this constraint with particular tools or methods. If a tool or method is not listed, you cannot use this constraint with it.

XST Command Line Syntax Example

Define globally with the `run` command:

```
-bus_delimiter {<>|[]|{}|() }
```

The default is `<>`.

ISE Design Suite Syntax Example

Define globally in ISE Design Suite in:

Process > Properties > Synthesis Options > Bus Delimiter

Case (`-case`)

Case (`-case`) determines if instance and net names are written in the final netlist using all lower or upper case letters, or if the case is maintained from the source. The case can be maintained for either Verilog or VHDL synthesis flow.

Architecture Support

Applies to Virtex®-6 and Spartan®-6 devices

Applicable Elements

Applies to syntax

Propagation Rules

Not applicable

Syntax Examples

The following examples show how to use this constraint with particular tools or methods. If a tool or method is not listed, you cannot use this constraint with it.

XST Command Line Syntax Example

Define globally with the **run** command:

```
-case {upper|lower|maintain}
```

The default is **maintain**.

ISE Design Suite Syntax Example

Define globally in ISE Design Suite in:

Process > Properties > Synthesis Options > Case

Case Implementation Style (`-vlgcase`)

Case Implementation Style (`-vlgcase`) is valid for Verilog designs only.

Case Implementation Style instructs XST how to interpret Verilog **case** statements. Case Implementation Style has three possible values:

- **full**
- **parallel**
- **full-parallel**

The following rules apply:

- Option not specified
XST implements the exact behavior of the **case** statements.
- **full**
XST assumes that the **case** statements are complete, and avoids latch creation.
- **parallel**
XST assumes that the branches cannot occur in **parallel**, and does not use a priority encoder.
- **full-parallel**
XST assumes that the **case** statements are complete, and that the branches cannot occur in **parallel**, therefore saving latches and priority encoders.

For more information, see:

- [Full Case \(FULL_CASE\)](#)
- [Parallel Case \(PARALLEL_CASE\)](#)
- [Multiplexers in Chapter 7, XST HDL Coding Techniques](#)

Architecture Support

Applies to Virtex®-6 and Spartan®-6 devices

Applicable Elements

Applies globally

Propagation Rules

Not applicable

Syntax Examples

The following examples show how to use this constraint with particular tools or methods. If a tool or method is not listed, you cannot use this constraint with it.

XST Command Line Syntax Example

Define globally with the **run** command:

```
-vlgcase {full|parallel|full-parallel}
```

By default, there is no value.

ISE Design Suite Syntax Example

Define globally in ISE Design Suite in:

Process > Properties > HDL Options > Case Implementation Style

Case Implementation Style values are:

- **full**
- **parallel**
- **full-parallel**

By default, there is no value.

Verilog Macros (-define)

Verilog Macros (**-define**) is valid for Verilog designs only. Use Verilog Macros to define (or redefine) Verilog macros. This allows you to modify the design configuration without modifying the source code. This feature is useful for such processes as IP core generation and flow testing. If the defined macro is not used in the design, no message is given.

Architecture Support

Applies to Virtex®-6 and Spartan®-6 devices

Applicable Elements

Applies globally

Propagation Rules

Not applicable

Syntax Examples

The following examples show how to use this constraint with particular tools or methods. If a tool or method is not listed, you cannot use this constraint with it.

XST Command Line Syntax Example

Define globally with the **run** command:

```
-define {name[=value] name[=value] -}
```

where

- *name* is a macro name
- *value* is a macro text

The default is an empty definition.

```
-define { }
```

- Values for macros are not mandatory.
- Place the values inside curly braces (`{...}`).
- Separate the values with spaces.
- Macro text can be specified between quotation marks ("`...`"), or without them. If the macro text contains spaces, you must use quotation marks ("`...`").

```
-define {macro1=Xilinx macro2="Xilinx Virtex6" }
```

ISE Design Suite Syntax Example

Define globally in ISE Design Suite in:

Process > Properties > Synthesis Options > Verilog Macros

Do not use curly braces (`{...}`) when specifying values in ISE® Design Suite

```
acro1=Xilinx macro2="Xilinx Virtex6"
```

Duplication Suffix (`-duplication_suffix`)

Duplication Suffix (`-duplication_suffix`) controls how XST names replicated flip-flops. When XST replicates a flip-flop, it creates a name for the new flip-flop by adding `_n` to the end of the original flip-flop name, where *n* is an index number.

For example, if the original flip-flop name is `my_ff`, and this flip-flop was replicated three times, XST generates flip-flops with the following names:

- `my_ff_1`
- `my_ff_2`
- `my_ff_3`

Use Duplication Suffix to specify a text string to append to the end of the default name. Use the `%d` escape character to specify where in the name the index number appears.

For example, for the flip-flop named `my_ff`, if you specify `_dupreg_%d` with the Duplication Suffix option, XST generates the following names:

- `my_ff_dupreg_1`
- `my_ff_dupreg_2`
- `my_ff_dupreg_3`

The `%d` escape character can be placed anywhere in the suffix definition.

For example, if the Duplication Suffix value is specified as `_dup_%d_reg`, XST generates the following names:

- `my_ff_dup_1_reg`
- `my_ff_dup_2_reg`
- `my_ff_dup_3_reg`

Architecture Support

Applies to Virtex®-6 and Spartan®-6 devices

Applicable Elements

Applies to files

Propagation Rules

Not applicable

Syntax Examples

The following examples show how to use this constraint with particular tools or methods. If a tool or method is not listed, you cannot use this constraint with it.

XST Command Line Syntax Example

Define globally with the **run** command:

```
-duplication_suffix string%dstring
```

The default is `%d`.

ISE Design Suite Syntax Example

Define globally in ISE Design Suite in:

Process > Properties > Synthesis Options > Other

Full Case (FULL_CASE)

Full Case (**FULL_CASE**) is valid for Verilog designs only. Full Case indicates that all possible selector values have been expressed in a **case**, **casex** or **casez** statement. The Full Case directive prevents XST from creating additional hardware for those conditions not expressed. For more information, see [Multiplexers](#) in [Chapter 7, XST HDL Coding Techniques](#).

Architecture Support

Applies to Virtex®-6 and Spartan®-6 devices

Applicable Elements

Applies to **case** statements in Verilog meta comments.

Propagation Rules

Not applicable

Syntax Examples

The following examples show how to use this constraint with particular tools or methods. If a tool or method is not listed, you cannot use this constraint with it.

Verilog Syntax Example

The Verilog 2001 syntax is as follows:

```
( * full_case * )
```


Since Full Case does not contain a target reference, the attribute immediately precedes the selector.

```
(* full_case *)
case select
  4'blxxx: res = data1;
  4'bxlxx: res = data2;
  4'bxxlx: res = data3;
  4'bxxx1: res = data4;
endcase
```

Full Case is also available as a meta comment in the Verilog code. The syntax differs from the standard meta comment syntax as shown in the following:

```
// synthesis full_case
```

Since Full Case does not contain a target reference, the meta comment immediately follows the selector.

```
case select // synthesis full_case
  4'blxxx: res = data1;
  4'bxlxx: res = data2;
  4'bxxlx: res = data3;
  4'bxxx1: res = data4;
endcase
```

XST Command Line Syntax Example

Define globally with the **run** command:

```
-vlgcase {full|parallel|full-parallel}
```

ISE Design Suite Syntax Example

Define globally in ISE Design Suite in:

Process > Properties > Synthesis Options > Full Case

For Case Implementation Style, select **full** as a Value.

Generate RTL Schematic (**-rtlview**)

Generate RTL Schematic (**-rtlview**) enables XST to generate a netlist file, representing an RTL structure of the design. This netlist can be viewed by the RTL and Technology Viewers. Generate RTL Schematic has three possible values:

- **yes**
- **no**
- **only**

When **only** is specified, XST stops synthesis immediately after the RTL view is generated. The file containing the RTL view has an NGR file extension.

Architecture Support

Applies to Virtex®-6 and Spartan®-6 devices

Applicable Elements

Applies to files

Propagation Rules

Not applicable

Syntax Examples

The following examples show how to use this constraint with particular tools or methods. If a tool or method is not listed, you cannot use this constraint with it.

XST Command Line Syntax Example

Define globally with the **run** command:

```
-rtlview {yes|no|only}
```

The default is **no**.

ISE Design Suite Syntax Example

Define globally in ISE Design Suite in:

Process > Properties > Synthesis Options > Generate RTL Schematic

The default is **yes**.

Generics (-generics)

Use Generics (**-generics**) to redefine generics (VHDL) or parameters (Verilog) values defined in the top-level design block. This allows you to modify the design configuration without modifying the source code. This feature is useful for such processes as IP core generation and flow testing.

If the defined value does not correspond to the data type defined in the HDL source code, then XST tries to detect the situation and issues a warning, ignoring the command line definition.

In some situations, XST may fail to detect a type mismatch. In that case, XST attempts to apply this value by adopting it to the type defined in the HDL file without any warning. Be sure that the value you specified corresponds to the type defined in the HDL source code. If a defined generic or parameter name does not exist in the design, no message is given, and the definition is ignored.

Architecture Support

Applies to Virtex®-6 and Spartan®-6 devices

Applicable Elements

Applies globally

Propagation Rules

Not applicable

Syntax Examples

The following examples show how to use this constraint with particular tools or methods. If a tool or method is not listed, you cannot use this constraint with it.

XST Command Line Syntax Example

```
xst run -generics {name=value name=value ...}
```

where

- *name* is the name of a generic or parameter of the top level design block
- *value* is the value of a generic or parameter of the top level design block

The default is an empty definition.

-generics {}

- Place the *name/value* pairs inside curly braces ({...}).
- Separate the *name/value* pairs with spaces.
- XST can accept only constants of scalar types as values. Composite data types (arrays or records) are supported only for the following:
 - `-string`
 - `-std_logic_vector`
 - `-std_ulogic_vector`
 - `-signed, unsigned`
 - `-bit_vector`

Formatting varies depending on the type of the generic value, as shown in the following table.

Generics XST Command Line Syntax Formatting

| Type | Generic value syntax examples |
|-------------------|-------------------------------|
| Binary | b00111010 |
| Hexadecimal | h3A |
| Decimal (integer) | d58 (or 58) |
| Boolean true | TRUE |
| Boolean false | FALSE |

There are no spaces between the prefix and the corresponding value.

```
-generics {company="Xilinx" width=5 init_vector=b100101}
```

This command sets:

- `company` to `Xilinx`
- `width` to `5`
- `init_vector` to `b100101`

Hierarchy Separator (-hierarchy_separator)

Hierarchy Separator (**-hierarchy_separator**) defines the hierarchy separator character that is used in name generation when the design hierarchy is flattened.

The two supported characters are:

- `_` (underscore)
- `/` (forward slash)

The default is `/` (forward slash) for newly created projects.

If a design contains a sub-block with instance **INST1**, and this sub-block contains a net called **TMP_NET**, then the hierarchy is flattened and the hierarchy separator character is `/` (forward slash). The name **TMP_NET** becomes **INST1_TMP_NET**. If the hierarchy separator character is `/` (forward slash), the net name is **INST1/TMP_NET**.

Using `/` (forward slash) as a hierarchy separator is useful in design debugging because the `/` (forward slash) separator makes it much easier to identify a name if it is hierarchical.

Architecture Support

Applies to Virtex®-6 and Spartan®-6 devices

Applicable Elements

Applies to files

Propagation Rules

Not applicable

Syntax Examples

The following examples show how to use this constraint with particular tools or methods. If a tool or method is not listed, you cannot use this constraint with it.

XST Command Line Syntax Example

Define globally with the **run** command:

```
-hierarchy_separator {_|/}
```

The default is / (forward slash) for newly created projects.

ISE Design Suite Syntax Example

Define globally in ISE Design Suite in:

Process > Properties > Synthesis Options > Hierarchy Separator

The default is / (forward slash).

I/O Standard (IOSTANDARD)

Use I/O Standard (**IOSTANDARD**) to assign an I/O standard to an I/O primitive. I/O Standard can be applied on individual signals or instances, using a VHDL attribute, a Verilog attribute, or an XCF constraint. It is not applicable globally.

For more information, see IOSTANDARD in the [Constraints Guide](#).

Keep (KEEP)

Keep (**KEEP**) is an advanced mapping constraint. When a design is mapped, some nets may be absorbed into logic blocks. When a net is absorbed into a block, it can no longer be seen in the physical design database. This may happen, for example, if the components connected to each side of a net are mapped into the same logic block. The net may then be absorbed into the block containing the components. Keep prevents this from happening.

Keep preserves the existence of the signal in the final netlist, but not its structure. For example, if the design has a 2-bit multiplexer selector and you attach Keep to it, this signal is preserved in the final netlist. But the multiplexer could be automatically re-encoded by XST using one-hot encoding. As a consequence, this signal in the final netlist is four bits wide instead of the original two. To preserve the structure of the signal, you must use [Enumerated Encoding \(ENUM_ENCODING\)](#) in addition to Keep.

Allowed values are:

- **true**
- **soft**
- **false**

The **soft** value allows preservation of the designated signal during synthesis, but Keep is not propagated to implementation where the signal may be optimized away.

Keep can be applied to a signal, using a VHDL attribute, a Verilog attribute, or an XCF constraint.

For more information, see KEEP in the [Constraints Guide](#).

Keep Hierarchy (KEEP_HIERARCHY)

Keep Hierarchy (**KEEP_HIERARCHY**) is a synthesis and implementation constraint. If hierarchy is maintained during synthesis, the implementation tools use Keep Hierarchy to preserve the hierarchy throughout implementation, and allow a simulation netlist to be created with the desired hierarchy.

XST can flatten the design to obtain better results by optimizing entity or module boundaries. If you set Keep Hierarchy to **true**, the generated netlist is hierarchical, and respects the hierarchy and interface of any entity or module in the design.

Keep Hierarchy is related to the hierarchical blocks (VHDL entities, Verilog modules) specified in the Hardware Description Language (HDL) design, and does not concern the macros inferred by the HDL synthesizer.

Keep Hierarchy Values

The values for this constraint are:

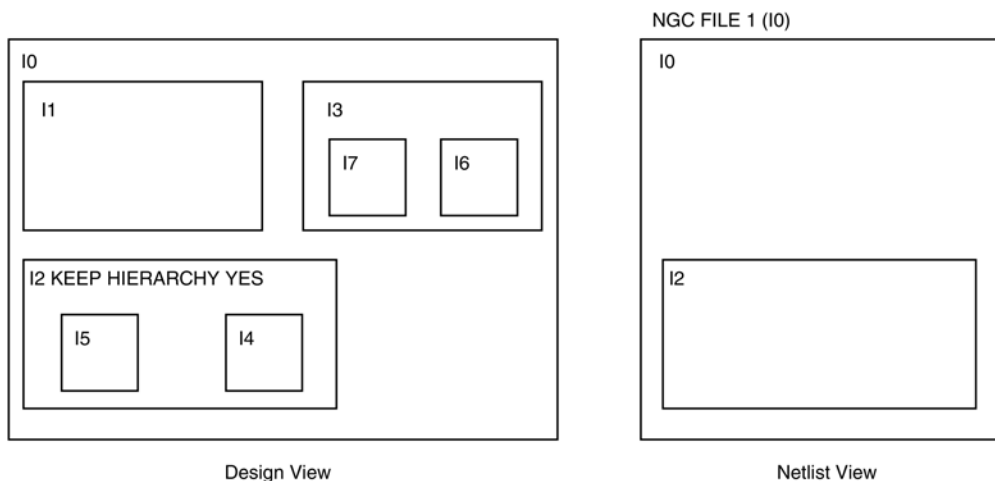
- **true**
Allows the preservation of the design hierarchy, as described in the HDL project. If this value is applied to synthesis, it is also propagated to implementation.
- **false** (default)
Hierarchical blocks are merged in the top level module.
- **soft**
Allows the preservation of the design hierarchy in synthesis, but Keep Hierarchy is not propagated to implementation.

Preserving the Hierarchy

In general, a Hardware Description Language (HDL) design is a collection of hierarchical blocks. Preserving the hierarchy gives the advantage of fast processing because the optimization is done on separate pieces of reduced complexity. Nevertheless, very often, merging the hierarchy blocks improves the fitting results (fewer PTerms and device macrocells, better frequency) because the optimization processes (collapsing, factorization) are applied globally on the entire logic.

Keep Hierarchy Diagram

In the following figure, if Keep Hierarchy is set to the entity or module I2, the hierarchy of I2 is in the final netlist, but its contents I4, I5 are flattened inside I2. I1, I3, I6, and I7 are also flattened.



X9542

Architecture Support

Applies to Virtex®-6 and Spartan®-6 devices

Applicable Elements

Applies to logical blocks, including blocks of hierarchy or symbols

Propagation Rules

Applies to the entity or module to which it is attached

Syntax Examples

The following examples show how to use this constraint with particular tools or methods. If a tool or method is not listed, you cannot use this constraint with it.

Keep Hierarchy Schematic Syntax Example

- Attach to the entity or module symbol
- Attribute Name: **KEEP_HIERARCHY**
- Attribute Values: **YES, NO**

VHDL Syntax Example

Declare as follows:

```
attribute keep_hierarchy : string;
```

Specify as follows:

```
attribute keep_hierarchy of architecture_name : architecture is  
"{yes|no|true|false|soft}";
```

The default is **no**.

Verilog Syntax Example

```
(* keep_hierarchy = "{yes|no|true|false|soft}" *)
```

XCF Syntax Example

```
MODEL "entity_name" keep_hierarchy={yes|no|true|false|soft};
```

XST Command Line Syntax Example

Define globally with the **run** command:

```
-keep_hierarchy {yes|no|soft}
```

The default is **no**.

For more information, see [Running XST in Command Line Mode](#) in [Chapter 2, Creating and Synthesizing an XST Project](#).

ISE Design Suite Syntax Example

Define globally in ISE Design Suite in:

Process > Properties > Synthesis Options > Keep Hierarchy

Library Search Order (`-lso`)

Use Library Search Order (`-lso`) to specify the order in which library files are used. To invoke Library Search Order:

- Specify the search order file in ISE® Design Suite in **Process > Properties > Synthesis Options > Library Search Order**, or
- Use the `-lso` command line option

Architecture Support

Applies to Virtex®-6 and Spartan®-6 devices

Applicable Elements

Applies to files

Propagation Rules

Not applicable

Syntax Examples

The following examples show how to use this constraint with particular tools or methods. If a tool or method is not listed, you cannot use this constraint with it.

XST Command Line Syntax Example

Define globally with the `run` command:

```
-lso file_name .lso
```

There is no default file name. If not specified, XST uses the default search order.

For more information, see [Library Search Order \(LSO\) Files](#) in [Chapter 6, XST Mixed Language Support](#).

ISE Design Suite Syntax Example

Define globally in ISE Design Suite in:

Process > Properties > Synthesis Options > Library Search Order

For more information, see [Library Search Order \(LSO\) Files](#) in [Chapter 6, XST Mixed Language Support](#).

LOC

LOC defines where a design element can be placed within a device. For more information, see LOC in the [Constraints Guide](#).

Netlist Hierarchy (`-netlist_hierarchy`)

Use Netlist Hierarchy (`-netlist_hierarchy`) to control the form in which the final NGC netlist is generated. Netlist Hierarchy allows you to write the hierarchical netlist even if the optimization was done on a partially or fully flattened design.

If the value of Netlist Hierarchy is:

- **as_optimized**
XST takes [Keep Hierarchy \(KEEP_HIERARCHY\)](#) into account, and generates the NGC netlist in the form in which it was optimized. In this mode, some hierarchical blocks can be flattened, and some can maintain hierarchy boundaries.
- **rebuilt**
XST writes a hierarchical NGC netlist, regardless of [Keep Hierarchy \(KEEP_HIERARCHY\)](#).

Architecture Support

Applies to Virtex®-6 and Spartan®-6 devices

Applicable Elements

Applies globally

Propagation Rules

Not applicable

Syntax Examples

The following examples show how to use this constraint with particular tools or methods. If a tool or method is not listed, you cannot use this constraint with it.

XST Command Line Syntax Example

Define globally with the **run** command:

```
- netlist_hierarchy {as_optimized|rebuilt}
```

The default is **as_optimized**.

Optimization Effort (OPT_LEVEL)

Optimization Effort (**OPT_LEVEL**) defines the synthesis optimization effort level.

The values for this constraint are:

- **1** (normal optimization)
Use **1** (normal optimization) for very fast processing, especially for hierarchical designs. In speed optimization mode, Xilinx® recommends using **1** (normal optimization) for the majority of designs. **1** (normal optimization) is the default.
- **2** (higher optimization)
Use **2** (higher optimization) to instruct XST to enable more optimization techniques. These techniques can result in significantly increased synthesis runtimes. A better outcome is not guaranteed. While these optimizations may benefit a particular design, there maybe no improvement at all, or the results may even be degraded. Xilinx therefore recommends Optimization Effort 1 for most designs.

Architecture Support

Applies to Virtex®-6 and Spartan®-6 devices

Applicable Elements

Applies globally, or to an entity or module

Propagation Rules

Applies to the entity or module to which it is attached

Syntax Examples

The following examples show how to use this constraint with particular tools or methods. If a tool or method is not listed, you cannot use this constraint with it.

VHDL Syntax Example

Declare as follows:

```
attribute opt_level: string;
```

Specify as follows:

```
attribute opt_level of entity_name: entity is "{1|2}";
```

Verilog Syntax Example

```
(* opt_level = "{1|2}" *)
```

XCF Syntax Example

```
MODEL "entity_name" opt_level={1|2};
```

XST Command Line Syntax Example

Define globally with the **run** command:

```
-opt_level {1|2}
```

The default is 1.

ISE Design Suite Syntax Example

Define globally in ISE Design Suite in:

Process > Properties > Synthesis Options > Optimization Effort

Optimization Goal (OPT_MODE)

Optimization Goal (**OPT_MODE**) defines the synthesis optimization strategy.

Available Optimization Goal values are:

- **speed**
The priority of **speed** is to reduce the number of logic levels and therefore to increase frequency. **speed** is the default.
- **area**
The priority of **area** is to reduce the total amount of logic used for design implementation and therefore improve design fitting.

Architecture Support

Applies to Virtex®-6 and Spartan®-6 devices

Applicable Elements

Applies globally, or to an entity or module

Propagation Rules

Applies to the entity or module to which it is attached

Syntax Examples

The following examples show how to use this constraint with particular tools or methods. If a tool or method is not listed, you cannot use this constraint with it.

VHDL Syntax Example

Declare as follows:

```
attribute opt_mode: string;
```

Specify as follows:

```
attribute opt_mode of entity_name: entity is "{speed|area}";
```

Verilog Syntax Example

```
(* opt_mode = "{speed|area}" *)
```

XCF Syntax Example

```
MODEL "entity_name" opt_mode={speed|area};
```

XST Command Line Syntax Example

Define globally with the **run** command:

```
-opt_mode {area|speed}
```

The default is **speed**.

ISE Design Suite Syntax Example

Define globally in ISE Design Suite in:

Process > Properties > Synthesis Options > Optimization Goal

The default is **speed**.

Parallel Case (PARALLEL_CASE)

Parallel Case (**PARALLEL_CASE**) is valid for Verilog designs only. Parallel Case forces a **case** statement to be synthesized as a parallel multiplexer and prevents the **case** statement from being transformed into a prioritized **if-elsif** cascade. For more information, see [Multiplexers](#) in [Chapter 7, XST HDL Coding Techniques](#).

Architecture Support

Applies to Virtex®-6 and Spartan®-6 devices

Applicable Elements

Applies to **case** statements in Verilog meta comments only

Propagation Rules

Not applicable

Syntax Examples

The following examples show how to use this constraint with particular tools or methods. If a tool or method is not listed, you cannot use this constraint with it.

Verilog Syntax Example

The syntax is:

```
(* parallel_case *)
```

Since Parallel Case does not contain a target reference, the attribute immediately precedes the selector.

```
(* parallel_case *)
case select
  4'blxxx: res = data1;
  4'bx1xx: res = data2;
  4'bxx1x: res = data3;
  4'bxxx1: res = data4;
endcase
```

Parallel Case is also available as a meta comment in the Verilog code. The syntax differs from the standard meta comment syntax as shown in the following:

```
// synthesis parallel_case
```

Since Parallel Case does not contain a target reference, the meta comment immediately follows the selector.

```
case select // synthesis parallel_case
  4'blxxx: res = data1;
  4'bx1xx: res = data2;
  4'bxx1x: res = data3;
  4'bxxx1: res = data4;
endcase
```

XST Command Line Syntax Example

Define globally with the **run** command:

```
-vlgcase {full|parallel|full-parallel}
```

RLOC

RLOC is a basic mapping and placement constraint. RLOC groups logic elements into discrete sets. Use RLOC to define the location of any element within the set relative to other elements in the set, regardless of eventual placement in the overall design. For more information, see RLOC in the [Constraints Guide](#).

Save (S / SAVE)

Save (**S** or its alias **SAVE**) is an advanced mapping constraint. Typically, when the design is mapped, some nets may be absorbed into logic blocks, and some elements such as LUTs may be optimized away. If you need to preserve access to some specific nets and blocks in the post-synthesis netlist, the Save constraint prevents such optimizations from happening. Disabled optimization techniques include nets or blocks replication and register balancing.

If the Save constraint is applied to a net, XST preserves the net with all elements directly connected to it in the final netlist. This includes nets connected to these elements.

If the Save constraint is applied to a block such as a **LUT**, XST preserves the **LUT** with all signals connected to it.

Applicable elements are:

- Nets
XST preserves the designated net with all elements directly connected to it in the final netlist. As a consequence nets connected to these elements are also preserved.
- Instantiated device primitives
If the Save constraint is applied to an instantiated primitive, such as a LUT, XST preserves the LUT with all signals connected to it.

For more information, see the [Constraints Guide](#).

Synthesis Constraint File (-uc)

Synthesis Constraint File (-uc) specifies a synthesis constraint file for XST to use. The XST Constraint File (XCF) has an extension of .xcf. If the extension is not .xcf, XST errors out and stops processing.

Architecture Support

Applies to Virtex®-6 and Spartan®-6 devices

Applicable Elements

Applies to files

Propagation Rules

Not applicable

Syntax Examples

The following examples show how to use this constraint with particular tools or methods. If a tool or method is not listed, you cannot use this constraint with it.

XST Command Line Syntax Example

Define globally with the **run** command:

```
-uc filename
```

ISE Design Suite Syntax Example

Define globally in ISE Design Suite in:

Process > Properties > Synthesis Options > Synthesis Constraints File

Translate Off (TRANSLATE_OFF) and Translate On (TRANSLATE_ON)

Translate Off (**TRANSLATE_OFF**) and Translate On (**TRANSLATE_ON**) instruct XST to ignore portions of the HDL source code that are not relevant for synthesis, such as simulation code.

- **TRANSLATE_OFF** marks the beginning of the section to be ignored.
- **TRANSLATE_ON** instructs XST to resume synthesis from that point.

Translate Off and Translate On are also Synplicity and Synopsys directives that XST supports in Verilog. Automatic conversion is also available in VHDL and Verilog.

Translate Off and Translate On can be used with the following words:

- `synthesis`
- `synopsys`
- `pragma`

Architecture Support

Applies to Virtex®-6 and Spartan®-6 devices

Applicable Elements

Applies locally

Propagation Rules

Instructs the synthesis tool to enable or disable portions of code

Syntax Examples

The following examples show how to use this constraint with particular tools or methods. If a tool or method is not listed, you cannot use this constraint with it.

VHDL Syntax Example

Declare as follows:

```
-- synthesis translate_off
...code not synthesized...
-- synthesis translate_on
```

Verilog Syntax Example

Translate Off and Translate On are available as HDL meta comments. The Verilog syntax differs from the standard meta comment syntax as shown in the following coding example.

```
// synthesis translate_off
...code not synthesized...
// synthesis translate_on
```

Ignore Synthesis Constraints File (-iuc)

Use Ignore Synthesis Constraints File (`-iuc`) to ignore the constraint file specified with Synthesis Constraints File (`-uc`) during synthesis.

Architecture Support

Applies to Virtex®-6 and Spartan®-6 devices

Applicable Elements

Applies to files

Propagation Rules

Not applicable

Syntax Examples

The following examples show how to use this constraint with particular tools or methods. If a tool or method is not listed, you cannot use this constraint with it.

XST Command Line Syntax Example

Define globally with the **run** command:

```
-iuc {yes|no}
```

The default is **no**.

ISE Design Suite Syntax Example

Caution! Ignore Synthesis Constraints File is shown as Synthesis Constraints File in ISE® Design Suite. The constraint file is ignored if you uncheck this option. It is checked by default (therefore resulting in a **-iuc no** command line switch), meaning that any synthesis constraints file you specify is taken into account.

Define globally in ISE Design Suite in:

Process > Properties > Synthesis Options > Synthesis Constraints File

Verilog Include Directories (**-vlgincdir**)

Verilog Include Directories (**-vlgincdir**) helps the parser find files referenced by **'include** statements. When an **'include** statement references a file, XST looks in different areas in this order:

- Relative to the current directory
- Relative to the inc directories
- Relative to the current file

Note Use **-vlgincdir** in conjunction with **'include**.

Architecture Support

Applies to Virtex®-6 and Spartan®-6 devices

Applicable Elements

Applies to directories

Propagation Rules

Not applicable

Syntax Examples

The following examples show how to use this constraint with particular tools or methods. If a tool or method is not listed, you cannot use this constraint with it.

XST Command Line Syntax Example

Define Verilog Include Directories globally with the **-vlgincdir** option of the **run** command. Allowed values are names of directories. For more information, see “Names With Spaces in Command Line Mode” in [Chapter 2, Creating and Synthesizing an XST Project](#).

Define globally with the **run** command:

```
-vlgincdir {directory_path [directory_path]}
```

There is no default.

ISE Design Suite Syntax Example

Define globally in ISE Design Suite in:

Process > Properties > Synthesis Options > Verilog Include Directories

Allowed values are names of directories.

There is no default.

To view this constraint, select **Edit > Preferences > Processes > Property Display Level > Advanced**.

HDL Library Mapping File (`-xsthdpini`)

Use HDL Library Mapping File (`-xsthdpini`) to define the library mapping.

The library mapping file has two associated parameters:

- **XSTHDPINI**
- **XSTHDPDIR**

The library mapping file contains:

- The library name
- The directory in which the library is compiled

XST maintains two library mapping files:

- The pre-installed file, which is installed during the Xilinx® software installation
- The user file, which you can define for your own projects

The pre-installed (default) INI file is named `xhdp.ini`, and is located in `%XILINX%\vhd1\xst`. These files contain information about the locations of the standard VHDL and UNISIM libraries. These should not be modified, but the syntax can be used for user library mapping. This file appears as follows:

```
-- Default lib mapping for XST
std=$XILINX/vhdl/xst/std
ieee=$XILINX/vhdl/xst/unisim
unisim=$XILINX/vhdl/xst/unisim
aim=$XILINX/vhdl/xst/aim
pls=$XILINX/vhdl/xst/pls
```

Use this file format to define where each of your own libraries will be placed. By default, all compiled VHDL files are stored in the `xst` sub-directory of the project directory.

To place a custom INI file anywhere on a disk:

- Select the VHDL INI file in ISE® Design Suite in:
Process > Properties > Synthesis Options, or
- Set the `-xsthdpini` parameter, using the following command in stand-alone mode:

```
set -xsthdpini file_name
```

Although you can give this library mapping file any name you wish, Xilinx recommends keeping the `.ini` classification. The format is:

```
library_name=path_to_compiled_directory
```

Use double dash (`--`) for comments.

MY.INI Example Text

```
work1=H:\Users\conf\my_lib\work1
work2=C:\mylib\work2
```

Architecture Support

Applies to Virtex®-6 and Spartan®-6 devices

Applicable Elements

Applies to files

Propagation Rules

Not applicable

Syntax Examples

The following examples show how to use this constraint with particular tools or methods. If a tool or method is not listed, you cannot use this constraint with it.

XST Command Line Syntax Example

Define globally with the **run** command:

```
set -xsthdpini file_name
```

The command can accept a single file only.

ISE Design Suite Syntax Example

Define globally in ISE Design Suite in:

Process > Properties > Synthesis Options > VHDL INI File

To view this constraint, select **Edit > Preferences > Processes > Property Display Level > Advanced**.

Work Directory (-xsthdpdir)

Work Directory (**-xsthdpdir**) defines the location in which VHDL-compiled files must be placed if the location is not defined by library mapping files. To access Work Directory:

- In ISE® Design Suite select:
Process > Properties > Synthesis Options > VHDL Work Directory, or
- Use the following command in stand-alone mode:

```
set -xsthdpdir directory
```

Work Directory Example

Assume the following:

- Three different users are working on the same project.
- They share one standard, pre-compiled library, `shlib`.
- This library contains specific macro blocks for their project.
- Each user also maintains a local work library.
- User Three places her local work library outside the project directory (for example, in `c:\temp`).
- User One and User Two share another library (`lib12`) between them, but not with User Three.

The settings required for the three users are as follows:

Work Directory Example User One

```
Mapping file:  
shlib=z:\sharedlibs\shlib  
lib12=z:\userlibs\lib12
```


Work Directory Example User Two

```
Mapping file:
schlib=z:\sharedlibs\shlib
lib12=z:\userlibs\lib12
```

Work Directory Example User Three

```
Mapping file:
schlib=z:\sharedlibs\shlib
```

User Three will also set:

```
XSTHDPDIR = c:\temp
```

Architecture Support

Applies to Virtex®-6 and Spartan®-6 devices

Applicable Elements

Applies to directories

Propagation Rules

Not applicable

Syntax Examples

The following examples show how to use this constraint with particular tools or methods. If a tool or method is not listed, you cannot use this constraint with it.

XST Command Line Syntax Example

Define globally with the **run** command:

```
set -xsthdpdir directory
```

Work Directory can accept a single path only. You must specify the directory.

There is no default.

ISE Design Suite Syntax Example

Define globally in ISE Design Suite in:

Process > Properties > Synthesis Options > VHDL Work Directory

To view this constraint, select **Edit > Preferences > Processes > Property Display Level > Advanced**.

XST HDL Constraints

Note The *XST User Guide for Virtex-6 and Spartan-6 Devices* applies to Xilinx® Virtex®-6 and Spartan®-6 devices only. For information on running XST with other devices, see the *XST User Guide*.

This chapter discusses XST HDL Constraints, and includes:

- [Automatic FSM Extraction \(FSM_EXTRACT\)](#)
- [Enumerated Encoding \(ENUM_ENCODING\)](#)
- [Equivalent Register Removal \(EQUIVALENT_REGISTER_REMOVAL\)](#)
- [FSM Encoding Algorithm \(FSM_ENCODING\)](#)
- [Mux Extraction \(MUX_EXTRACT\)](#)
- [Mux Minimal Size \(MUX_MIN_SIZE\)](#)
- [Resource Sharing \(RESOURCE_SHARING\)](#)
- [Safe Recovery State \(SAFE_RECOVERY_STATE\)](#)
- [Safe Implementation \(SAFE_IMPLEMENTATION\)](#)

Automatic FSM Extraction (FSM_EXTRACT)

Automatic FSM Extraction (**FSM_EXTRACT**) enables or disables Finite State Machine (FSM) extraction and specific synthesis optimizations. Automatic FSM Extraction must be enabled in order to set values for the FSM Encoding Algorithm and FSM Flip-Flop Type.

Architecture Support

Applies to Virtex®-6 and Spartan®-6 devices

Applicable Elements

Applies globally, or to an entity, module, or signal

Propagation Rules

Applies to the entity, module, or signal to which it is attached

Syntax Examples

The following examples show how to use this constraint with particular tools or methods. If a tool or method is not listed, you cannot use this constraint with it.

VHDL Syntax Example

Declare as follows:

```
attribute fsm_extract: string;
```

Specify as follows:

```
attribute fsm_extract of {entity_name | signal_name}: {entity|signal is "{yes|no}";
```

Verilog Syntax Example

Place immediately before the module or signal declaration.

```
(* fsm_extract = "{yes|no}" *)
```

XCF Syntax Example One

```
MODEL "entity_name" fsm_extract={yes|no|true|false};
```

XCF Syntax Example Two

```
BEGIN MODEL "entity_name"  
NET "signal_name" fsm_extract={yes|no|true|false};  
END;
```

XST Command Line Syntax Example

Define globally with the **run** command:

```
-fsm_extract {yes|no}*
```

The default is **yes**.

ISE Design Suite Syntax Example

Define globally in ISE Design Suite in:

Process > Properties > HDL Options > FSM Encoding Algorithm

These options are:

- If [FSM Encoding Algorithm \(FSM_ENCODING\)](#) is set to **none**, and **-fsm_extract** is set to **no**, **-fsm_encoding** does not influence synthesis.
- In all other cases, **-fsm_extract** is set to **yes**, and **-fsm_encoding** is set to the selected value. For more information about **-fsm_encoding**, see [FSM Encoding Algorithm \(FSM_ENCODING\)](#).

Enumerated Encoding (ENUM_ENCODING)

Enumerated Encoding (**ENUM_ENCODING**) applies a specific encoding to a VHDL enumerated type. The value is a string containing space-separated binary codes. You can specify Enumerated Encoding only as a VHDL constraint on the considered enumerated type.

When describing a Finite State Machine (FSM) using an enumerated type for the state register, you can specify a particular encoding scheme with Enumerated Encoding. In order for XST to use this encoding set [FSM Encoding Algorithm \(FSM_ENCODING\)](#) to **user** for the considered state register.

Architecture Support

Applies to Virtex®-6 and Spartan®-6 devices

Applicable Elements

Applies to a type or signal. Because Enumerated Encoding must preserve the external design interface, XST ignores Enumerated Encoding when it is used on a port.

Propagation Rules

Applies to the type or signal to which it is attached

Syntax Examples

The following examples show how to use this constraint with particular tools or methods. If a tool or method is not listed, you cannot use this constraint with it.

VHDL Syntax Example

Specify as a VHDL constraint on the considered enumerated type.

```
...
architecture behavior of example is
type statetype is (ST0, ST1, ST2, ST3);
attribute enum_encoding of statetype : type is "001 010 100 111";
signal state1 : statetype;
signal state2 : statetype;
begin
...
```

XCF Syntax Example

```
BEGIN MODEL "entity_name "
NET "signal_name " enum_encoding="string";
END;
```

Equivalent Register Removal (EQUIVALENT_REGISTER_REMOVAL)

Equivalent Register Removal (**EQUIVALENT_REGISTER_REMOVAL**) enables or disables removal of equivalent registers described at the RTL Level. By default, XST does not remove equivalent flip-flops if they are instantiated from a Xilinx® primitive library.

Removal of equivalent flip-flops increases the probability that the design will fit on the targeted device

The values for this constraint are:

- **yes** (default)
Flip-flop optimization is allowed.
- **no**
Flip-flop optimization is inhibited. The flip-flop optimization algorithm is time consuming. For fast processing, use **no**.
- **true** (XCF only)
- **false** (XCF only)

Architecture Support

Applies to Virtex®-6 and Spartan®-6 devices

Applicable Elements

Applies globally, or to an entity, module, or signal

Propagation Rules

Removes equivalent flip-flops and flip-flops with constant inputs

Syntax Examples

The following examples show how to use this constraint with particular tools or methods. If a tool or method is not listed, you cannot use this constraint with it.

VHDL Syntax Example

Declare as follows:

```
attribute equivalent_register_removal: string;
```

Specify as follows:

```
attribute equivalent_register_removal of {entity_name | signal_name }:  
{signal|entity} is "{yes|no}";
```

Verilog Syntax Example

Place immediately before the module or signal declaration:

```
(* equivalent_register_removal = "{yes|no}" *)
```

XCF Syntax Example One

```
MODEL "entity_name" equivalent_register_removal={yes|no|true|false};
```

XCF Syntax Example Two

```
BEGIN MODEL "entity_name "  
NET "signal_name" equivalent_register_removal={yes|no|true|false};  
END;
```

XST Command Line Syntax Example

Define globally with the **run** command:

```
-equivalent_register_removal {yes|no}
```

The default is **yes**.

ISE Design Suite Syntax Example

Define globally in ISE Design Suite in:

Process > Properties > Xilinx-Specific Options > Equivalent Register Removal

FSM Encoding Algorithm (FSM_ENCODING)

FSM Encoding Algorithm (**FSM_ENCODING**) selects the Finite State Machine (FSM) coding technique. In order to select a value for the FSM Encoding Algorithm, [Automatic FSM Extraction \(FSM_EXTRACT\)](#) must be enabled.

The values for this constraint are:

- **auto**
- **one-hot**
- **compact**
- **sequential**
- **gray**
- **johnson**
- **speed1**
- **user**

FSM Encoding Algorithm defaults to **auto**. The best coding technique is automatically selected for each individual state machine.

Architecture Support

Applies to Virtex®-6 and Spartan®-6 devices

Applicable Elements

Applies globally, or to an entity, module, or signal

Propagation Rules

Applies to the entity, module, or signal to which it is attached

Syntax Examples

The following examples show how to use this constraint with particular tools or methods. If a tool or method is not listed, you cannot use this constraint with it.

VHDL Syntax Example

Declare as follows:

```
attribute fsm_encoding: string;
```

Specify as follows:

```
attribute fsm_encoding of {entity_name|signal_name}: {entity|signal} is
"{auto|one-hot|compact|sequential|gray|johnson|speed1|user}";
```

The default is **auto**.

Verilog Syntax Example

Place immediately before the module or signal declaration.

```
(* fsm_encoding = "{auto|one-hot |compact|sequential|gray|johnson|speed1|user}" *)
```

The default is **auto**.

XCF Syntax Example One

```
MODEL "entity_name" fsm_encoding={auto|one-hot
|compact|sequential|gray|johnson|speed1|user};
```

XCF Syntax Example Two

```
BEGIN MODEL "entity_name "
NET "signal_name" fsm_encoding={auto|one-hot
|compact|sequential|gray|johnson|speed1|user};
END;
```

XST Command Line Syntax Example

Define globally with the **run** command:

```
-fsm_encoding {auto|one-hot|compact|sequential|gray|johnson|speed1|user}
```

The default is **auto**.

ISE Design Suite Syntax Example

Define globally in ISE Design Suite in:

Process > Properties > HDL Options > FSM Encoding Algorithm

The options are:

- If the FSM Encoding Algorithm menu is set to **none**, and **-fsm_extract** is set to **no**, **-fsm_encoding** has no influence on the synthesis.
- In all other cases, **-fsm_extract** is set to **yes** and **-fsm_encoding** is set to the value selected in the menu. For more information, see [Automatic FSM Extraction \(FSM_EXTRACT\)](#).

Mux Extraction (MUX_EXTRACT)

Mux Extraction (**MUX_EXTRACT**) enables or disables multiplexer macro inference. Multiplexers are very frequent constructs, and the quality of the post-synthesis solution may vary significantly whether the decision by XST to infer a particular multiplexer macro is appropriate or not. Multiplexer macro inference has been tuned to provide the best average solution for a large variety of design situations. However, because of the potentially significant impact of inferring or not inferring a multiplexer, you may try to improve the default solution achieved by XST, using Mux Extraction to override the default tool decisions on designated parts of your design.

Allowed values for Mux Extraction are:

- **yes** or **true** (XCF only)
- **no** or **false** (XCF only)
- **force**

By default, multiplexer inference is enabled (**yes**). For each identified multiplexer description, based on some internal decision rules, XST actually creates a macro or optimizes it with the rest of the combinatorial logic. The **force** and **no** values override default decision rules, and respectively force or prevent XST from creating a multiplexer macro.

Architecture Support

Applies to Virtex®-6 and Spartan®-6 devices

Applicable Elements

Mux Extraction can only be selectively applied to a VHDL entity, a Verilog module, or a signal. Mux Extraction cannot be controlled globally through a command line switch or an option in ISE® Design Suite.

Propagation Rules

Applies to the entity, module, or signal to which it is attached

Syntax Examples

The following examples show how to use this constraint with particular tools or methods. If a tool or method is not listed, you cannot use this constraint with it.

VHDL Syntax Example

Declare as follows:

```
attribute mux_extract: string;
```

Specify as follows:

```
attribute mux_extract of {signal_name | entity_name}: {entity|signal} is  
"{yes|no|force}";
```


The default is **yes**.

Verilog Syntax Example

Place immediately before the module or signal declaration:

```
(* mux_extract = "{yes|no|force}" *)
```

The default is **yes**.

XCF Syntax Example One

Set Mux Extraction for a designated entity or module as follows:

```
MODEL "entity_name" mux_extract={yes|no|true|false|force};
```

XCF Syntax Example Two

Set Mux Extraction for a designated signal as follows.

```
BEGIN MODEL "entity_name "
NET "signal_name" mux_extract={yes|no|true|false|force};
END;
```

XST Command Line Syntax Example

Define globally with the **run** command:

```
-mux_extract {yes|no|force}
```

The default is **yes**.

Mux Minimal Size (MUX_MIN_SIZE)

Caution! Review this constraint carefully before use.

Mux Minimal Size (**MUX_MIN_SIZE**) allows you to control the minimal size of multiplexer macros inferred by XST.

Size is the number of multiplexed data inputs. For example, for a 2-to-1 multiplexer, the size, or number of multiplexed inputs, is 2. For a 16-to-1 multiplexer, the size is 16. Selector inputs do not count.

This number is independent of the width of the selected data. Both a 1-bit wide 8-to-1 multiplexer, and a 16-bit wide 8-to-1 multiplexer, have a size of 8.

Mux Minimal Size takes an integer value greater than 1. The default value is 2.

By default, XST infers 2-to-1 multiplexer macros. Explicit inference of 2-to-1 multiplexers can have either a positive or negative impact on final device utilization, depending on the design. Xilinx® does not recommend using Mux Minimal Size if device utilization is satisfactory

If device utilization is not satisfactory, Mux Minimal Size may benefit your design if there are a large number of 2-to-1 multiplexers inferred in the parts of the design that are significantly contributing to the unsatisfactory device utilization. In this case, Xilinx recommends that you try to disable 2-to-1 multiplexer inference, either globally, or for the blocks that are specifically affecting your results. To disable inference of 2-to-1 multiplexers, apply a value of 3.

Mux Minimal Size may prevent inference of multiplexers for sizes above 2, but the benefits are speculative. Xilinx recommends extra caution before using Mux Minimal Size in this situation.

Architecture Support

Applies to Virtex®-6 and Spartan®-6 devices

Applicable Elements

Applies globally, or to a designated VHDL entity or Verilog module.

Propagation Rules

Applies to the designated entity or module.

Syntax Examples

The following examples show how to use this constraint with particular tools or methods. If a tool or method is not listed, you cannot use this constraint with it.

VHDL Syntax Example

Declare as follows:

```
attribute mux_min_size: string;
```

Specify as follows:

```
attribute mux_min_size of entity_name : entity is "integer";
```

The default is 2.

Verilog Syntax Examples

Place immediately before the module declaration

```
(* mux_min_size= "integer" *)
```

The default is 2.

XST Command Line Syntax Example

Define globally with the **run** command:

```
-mux_min_size integer
```

Note Mux Minimal Size is not available in the default XST options set in ISE® Design Suite.

Resource Sharing (RESOURCE_SHARING)

Resource Sharing (**RESOURCE_SHARING**) enables or disables resource sharing of arithmetic operators.

Resource Sharing values are:

- **yes** (default)
- **no**
- **true** (XCF only)
- **false** (XCF only)

Architecture Support

Applies to Virtex®-6 and Spartan®-6 devices

Applicable Elements

Applies globally, or to design elements

Propagation Rules

Applies to the entity or module to which it is attached

Syntax Examples

The following examples show how to use this constraint with particular tools or methods. If a tool or method is not listed, you cannot use this constraint with it.

VHDL Syntax Example

Declare as follows:

```
attribute resource_sharing: string;
```

Specify as follows:

```
attribute resynthesize of entity_name: entity is "{yes|no}";
```

Verilog Syntax Example

Place immediately before the module declaration or instantiation:

```
attribute resource_sharing of entity_name: entity is "{yes|no}";
```

XCF Syntax Example One

```
MODEL "entity_name" resource_sharing={yes|no|true|false};
```

XCF Syntax Example Two

```
BEGIN MODEL "entity_name"
```

```
NET "signal_name" resource_sharing={yes|no|true|false};
```

```
END;
```

XST Command Line Syntax Example

Define globally with the **run** command:

```
-resource_sharing {yes|no}
```

The default is yes.

ISE Design Suite Syntax Example

Define globally in ISE Design Suite in:

HDL Options > Resource Sharing

Safe Recovery State (SAFE_RECOVERY_STATE)

Safe Recovery State (**SAFE_RECOVERY_STATE**) defines a recovery state for use when a Finite State Machine (FSM) is implemented in Safe Implementation mode. If the FSM enters an invalid state, XST uses additional logic to force the FSM to a valid recovery state. By implementing FSM in safe mode, XST collects all code not participating in the normal FSM behavior and treats it as illegal.

XST uses logic that returns the FSM synchronously to the:

- Known state
- Reset state
- Power up state
- State specified using **SAFE_RECOVERY_STATE**

For more information, see [Safe Implementation \(SAFE_IMPLEMENTATION\)](#).

Architecture Support

Applies to Virtex®-6 and Spartan®-6 devices

Applicable Elements

Applies to a signal representing a state register

Propagation Rules

Applies to the signal to which it is attached

Syntax Examples

The following examples show how to use this constraint with particular tools or methods. If a tool or method is not listed, you cannot use this constraint with it.

VHDL Syntax Example

Declare as follows:

```
attribute safe_recovery_state: string;
```

Specify as follows:

```
attribute safe_recovery_state of {signal_name}:{signal} is "<value>";
```

Verilog Syntax Example

Place immediately before the signal declaration.

```
(* safe_recovery_state = "<value>" *)*
```

XCF Syntax Example

```
BEGIN MODEL "entity_name "
```

```
NET "signal_name" safe_recovery_state="<value>";
```

```
END;
```

Safe Implementation (SAFE_IMPLEMENTATION)

Safe Implementation (**SAFE_IMPLEMENTATION**) implements Finite State Machine (FSM) components in Safe Implementation mode. In Safe Implementation mode, XST generates additional logic that forces an FSM to a valid state (recovery state) if the FSM enters an invalid state. By default, XST automatically selects **reset** as the recovery state. If the FSM does not have an initialization signal, XST selects **power-up** as the recovery state.

Define the recovery state manually with [Safe Recovery State \(SAFE_RECOVERY_STATE\)](#).

To activate Safe Implementation in:

- ISE® Design Suite
Select **Process > Properties > HDL Options > Safe Implementation**.
- HDL
Apply Safe Implementation to the hierarchical block or signal that represents the state register in the FSM.

Architecture Support

Applies to Virtex®-6 and Spartan®-6 devices

Applicable Elements

Applies to an entire design through the XST command line, to a particular block (entity, architecture, component), or to a signal

Propagation Rules

Applies to an entity, component, module, signal, or instance to which it is attached

Syntax Examples

The following examples show how to use this constraint with particular tools or methods. If a tool or method is not listed, you cannot use this constraint with it.

VHDL Syntax Example

Declare as follows:

```
attribute safe_implementation: string;
```

Specify as follows:

```
attribute safe_implementation of {entity_name | component_name | signal_name}:
{entity|component|signal is "{yes|no}"};
```

Verilog Syntax Example

Place immediately before the module or signal declaration:

```
(* safe_implementation = "{yes|no}" *)
```

XCF Syntax Example One

```
MODEL "entity_name" safe_implementation={yes|no|true|false};
```

XCF Syntax Example Two

```
BEGIN MODEL "entity_name "
NET "signal_name" safe_implementation="{yes|no|true|false};
END;
```

XST Command Line Syntax Example

Define globally with the **run** command:

```
-safe_implementation {yes|no}
```

The default is **no**.

ISE Design Suite Syntax Example

Define globally in ISE Design Suite in:

HDL Options > Safe Implementation

XST FPGA Constraints (Non-Timing)

Note The *XST User Guide for Virtex-6 and Spartan-6 Devices* applies to Xilinx® Virtex®-6 and Spartan®-6 devices only. For information on using XST with other devices, see the *XST User Guide*.

This chapter discusses XST FPGA Constraints (Non-Timing), and includes:

- Asynchronous to Synchronous (ASYNC_TO_SYNC)
- Automatic BRAM Packing (AUTO_BRAM_PACKING)
- BRAM Utilization Ratio (BRAM_UTILIZATION_RATIO)
- Buffer Type (BUFFER_TYPE)
- Extract BUFGCE (BUFGCE)
- Cores Search Directories (-sd)
- DSP Utilization Ratio (DSP_UTILIZATION_RATIO)
- FSM Style (FSM_STYLE)
- Power Reduction (POWER)
- Read Cores (READ_CORES)
- Resynthesize (RESYNTHESIZE)
- Incremental Synthesis (INCREMENTAL_SYNTHESIS)
- LUT Combining (LC)
- Map Logic on BRAM (BRAM_MAP)
- Max Fanout (MAX_FANOUT)
- Move First Stage (MOVE_FIRST_STAGE)
- Move Last Stage (MOVE_LAST_STAGE)
- Multiplier Style (MULT_STYLE)
- Number of Global Clock Buffers (-bufg)
- Optimize Instantiated Primitives (OPTIMIZE_PRIMITIVES)
- Pack I/O Registers Into IOBs (IOB)
- RAM Extraction (RAM_EXTRACT)
- RAM Style (RAM_STYLE)
- Reduce Control Sets (REDUCE_CONTROL_SETS)
- Register Balancing (REGISTER_BALANCING)
- Register Duplication (REGISTER_DUPLICATION)

- ROM Extraction (ROM_EXTRACT)
- ROM Style (ROM_STYLE)
- Shift Register Extraction (SHREG_EXTRACT)
- Slice Packing (-slice_packing)
- Use Low Skew Lines (USELOWSKEWLINES)
- Slice (LUT-FF Pairs) Utilization Ratio
- Slice (LUT-FF Pairs) Utilization Ratio Delta (SLICE_UTILIZATION_RATIO_MAXMARGIN)
- Map Entity on a Single LUT (LUT_MAP)
- Use Carry Chain (USE_CARRY_CHAIN)
- Convert Tristates to Logic (TRISTATE2LOGIC)
- Use Clock Enable (USE_CLOCK_ENABLE)
- Use Synchronous Set (USE_SYNC_SET)
- Use Synchronous Reset (USE_SYNC_RESET)
- Use DSP Block (USE_DSP48)

In many cases, a particular constraint can be applied:

- Globally to an entire entity or model, or
- Locally to individual signals, nets or instances

Asynchronous to Synchronous (ASYNC_TO_SYNC)

Use the Asynchronous to Synchronous (**ASYNC_TO_SYNC**) constraint to treat asynchronous **set** and **reset** signals as synchronous. The Asynchronous to Synchronous transformation:

- Applies to inferred sequential elements only
- Does not apply to instantiated flip-flops and latches
- Is performed on-the-fly
- Is reflected in the post-synthesis netlist
- Does not change your HDL source code

set and **reset** functionality of Xilinx® device resources such as DSP blocks and block RAMs is synchronous by nature. If strict coding practices require you to describe **set** and **reset** signals asynchronously, you may not be using those resources to their full potential. Automatic Asynchronous to Synchronous transformation allows you to assess their potential without changing the description of the sequential elements in your HDL source code. By better leveraging registers in your design, you may be able to:

- Improve device utilization
- Increase circuit performance
- Achieve better power reduction

Caution! Carefully review the following to assess the potential impact of Asynchronous to Synchronous transformation on your design:

- As a result of Asynchronous to Synchronous transformation, the post-synthesis netlist is *theoretically not functionally equivalent* to your pre-synthesis HDL description. However, if not actually using the asynchronous sets and resets that you have described, or if they are derived from synchronous sources, the post-synthesis solution is functionally equivalent in those cases.
- If you achieve your design goals by using Asynchronous to Synchronous transformation, determine whether you should change the HDL description to enforce synchronous **set** and **reset** signals in order to ensure the expected circuit behavior. Changing the HDL description may also ease design validation.
- Xilinx highly recommends a timing simulation in order to assess the impact of the Asynchronous to Synchronous transformation on your design.
- If you are allowed to change your coding practices, Xilinx recommends that you describe synchronous **set** and **reset** signals in your HDL source code.

Architecture Support

Applies to Virtex®-6 and Spartan®-6 devices

Applicable Elements

Applies globally

Propagation Rules

Not applicable

Syntax Examples

The following examples show how to use this constraint with particular tools or methods. If a tool or method is not listed, you cannot use this constraint with it.

XST Command Line Syntax Example

Define globally with the **run** command:

```
-async_to_sync {yes|no}
```

The default is **no**.

ISE Design Suite Syntax Example

Define globally in ISE Design Suite in:

Process > Properties > HDL Options > Asynchronous to Synchronous

Automatic BRAM Packing (AUTO_BRAM_PACKING)

Use Automatic BRAM Packing (**AUTO_BRAM_PACKING**) to pack two small block RAMs in a single block RAM primitive as dual-port block RAM. XST packs block RAMs together only if they are situated in the same hierarchical level.

Architecture Support

Applies to Virtex®-6 and Spartan®-6 devices

Applicable Elements

Applies globally

Propagation Rules

Not applicable

Syntax Examples

The following examples show how to use this constraint with particular tools or methods. If a tool or method is not listed, you cannot use this constraint with it.

XST Command Line Syntax Example

Define globally with the **run** command:

```
-auto_bram_packing {yes|no}
```

The default is **no**.

ISE Design Suite Syntax Example

Define globally in ISE Design Suite in:

Process > Properties > Automatic BRAM Packing

BRAM Utilization Ratio (BRAM_UTILIZATION_RATIO)

BRAM Utilization Ratio (**BRAM_UTILIZATION_RATIO**) defines the number of block RAMs that XST must not exceed during synthesis. Block RAMs in the design may come not only from block RAM inference processes, but from instantiation and block RAM mapping optimizations. You can isolate an RTL description of logic in a separate block, and then ask XST to map this logic to block RAM.

For more information, see [Mapping Logic to Block RAM](#) in [Chapter 8, XST FPGA Optimization](#).

Instantiated block RAMs are the primary candidates for available block RAM resources. The inferred RAMs are placed on the remaining block RAM resources. However, if the number of instantiated block RAMs exceeds the number of available resources, XST does not modify the instantiations and implement them as block RAMs. The same behavior occurs if you force specific RAMs to be implemented as block RAMs. If there are no resources, XST respects user constraints, even if the number of block RAM resources is exceeded.

If the number of user-specified block RAMs exceeds the number of available block RAM resources on the target device, XST issues a warning, and uses only available block RAM resources on the chip for synthesis. Use value **-1** to disable automatic block RAM resource management. This can be used to see the number of block RAMs XST can potentially infer for a specific design.

You may experience significant synthesis time if the number of block RAMs in the design significantly exceeds the number of available block RAMs on the target device (hundreds of block RAMs). This may happen due to a significant increase in design complexity when all non-fittable block RAMs are converted to distributed RAMs.

Architecture Support

Applies to Virtex®-6 and Spartan®-6 devices

Applicable Elements

Applies globally

Propagation Rules

Not applicable

Syntax Examples

The following examples show how to use this constraint with particular tools or methods. If a tool or method is not listed, you cannot use this constraint with it.

XST Command Line Syntax Examples

Define globally with the **run** command:

```
-block RAM_utilization_ratio <integer>[%][#]
```

where

```
<integer> range is [-1 to 100]
```

and

% is used or both % and # are omitted

The default is **100**.

XST Command Line Syntax Example One

```
-bram_utilization_ratio 50
```

means

50% of block RAMs in the target device

XST Command Line Syntax Example Two

```
-bram_utilization_ratio 50%
```

means

50% of block RAMs in the target device

XST Command Line Syntax Example Three

```
-bram_utilization_ratio 50#
```

means

50 block RAMs

There must be no space between the integer value and the percent (%) or pound (#) characters.

In some situations, you can disable automatic block RAM resource management (for example, to see how many block RAMs XST can potentially infer for a specific design). To disable automatic resource management, specify **-1** (or any negative value) as a constraint value.

ISE Design Suite Syntax Example

Define globally in ISE Design Suite in:

Process > Properties > Synthesis Options > BRAM Utilization Ratio

In ISE® Design Suite, you can define the value of BRAM Utilization Ratio only as a percentage. The definition of the value in the form of absolute number of BlockRAMs is not supported.

Buffer Type (BUFFER_TYPE)

Buffer Type (**BUFFER_TYPE**) is a new name for **CLOCK_BUFFER**. Since **CLOCK_BUFFER** will become obsolete in future releases, Xilinx® recommends that you use this new name. **BUFFER_TYPE** selects the type of buffer to be inserted on the designated I/O port or internal net.

Architecture Support

Applies to Virtex®-6 and Spartan®-6 devices

Applicable Elements

Applies to signals

Propagation Rules

Applies to the signal to which it is attached

Syntax Examples

The following examples show how to use this constraint with particular tools or methods. If a tool or method is not listed, you cannot use this constraint with it.

VHDL Syntax Example

Declare as follows:

```
attribute buffer_type: string;
```

Specify as follows:

```
attribute buffer_type of signal_name: signal is
"{bufp11|ibufg|bufg|bufgp|bufh|bufr|bufio|bufio2fb|bufio2|ibuf|obuf|buf|none}";
```

Verilog Syntax Example

Place immediately before the signal declaration:

```
(* buffer_type =
"{bufp11|ibufg|bufg|bufgp|bufh|bufr|bufio|bufio2fb|bufio2|ibuf|obuf|buf|none}" *)
```

XCF Syntax Example

```
BEGIN MODEL "entity_name "
```

```
NET "signal_name "
```

```
buffer_type={bufp11|ibufg|bufg|bufgp|bufh|bufr|bufio|bufio2fb|bufio2|ibuf|obuf|buf|none};
```

```
END;
```

Extract BUFGE (BUFGE)

Extract BUFGE (**BUFGE**) implements **BUFGMUX** functionality by inferring a **BUFGMUX** primitive. This operation reduces the wiring. Clock and clock enable signals are driven to *n* sequential components by a single wire. Extract BUFGE must be attached to the primary clock signal.

Extract BUFGCE values are:

- **yes**
- **no**

Extract BUFGCE is accessible through Hardware Description Language (HDL) code. If **bufgce=yes**, XST implements **BUFGMUX** functionality if possible. All flip-flops must have the same clock enable signal.

Architecture Support

Applies to Virtex®-6 and Spartan®-6 devices

Applicable Elements

Applies to clock signals

Propagation Rules

Applies to the signal to which it is attached

Syntax Examples

The following examples show how to use this constraint with particular tools or methods. If a tool or method is not listed, you cannot use this constraint with it.

VHDL Syntax Example

Declare as follows:

```
attribute bufgce : string;
```

Specify as follows:

```
attribute bufgce of signal_name : signal is "{yes|no}";
```

Verilog Syntax Example

Place immediately before the signal declaration.

```
(* bufgce = "{yes|no}" *)
```

XCF Syntax Example

```
BEGIN MODEL "entity_name "
```

```
NET "primary_clock_signal " bufgce={yes|no|true|false};
```

```
END;
```

Cores Search Directories (-sd)

Cores Search Directories (**-sd**) tells XST to look for cores in directories other than the default. By default, XST searches for cores in the directory specified in the **-ifn** option.

Architecture Support

Applies to Virtex®-6 and Spartan®-6 devices

Applicable Elements

Applies globally

Propagation Rules

Not applicable

Syntax Examples

The following examples show how to use this constraint with particular tools or methods. If a tool or method is not listed, you cannot use this constraint with it.

XST Command Line Syntax Example

Define globally with the **run** command:

```
-sd {directory_path [directory_path]}
```

Allowed values are names of directories. For more information, see [Names With Spaces in Command Line Mode](#) in [Chapter 2, Creating and Synthesizing an XST Project](#).

There is no default.

ISE Design Suite Syntax Example

Define globally in ISE Design Suite in:

Process > Properties > Synthesis Options > Cores Search Directory

DSP Utilization Ratio (DSP_UTILIZATION_RATIO)

DSP Utilization Ratio (**DSP_UTILIZATION_RATIO**) defines the number of DSP slices (in absolute number or percent of slices) that XST must not exceed during synthesis optimization. The default is 100% of the target device.

DSP slices in the design may come not only from DSP inference processes, but also from instantiation. Instantiated DSP slices are the primary candidates for available DSP resources. The inferred DSPs are placed on the remaining DSP resources. If the number of instantiated DSPs exceeds the number of available resources, XST does not modify the instantiations and implement them as block DSP slices. The same behavior occurs if you force specific macro implementation to be implemented as DSP slices with [Use DSP Block \(USE_DSP48\)](#). If there are no resources, XST respects user constraints even if the number of DSP slices is exceeded.

If the number of user-specified DSP slices exceeds the number of available DSP resources on the target device, XST issues a warning, and uses only available DSP resources on the chip for synthesis.

To disable automatic DSP resource management (for example, to see how many DSPs XST can potentially infer for a specific design, specify **-1** (or any negative value) as a constraint value.

Architecture Support

Applies to Virtex®-6 and Spartan®-6 devices

Applicable Elements

Applies globally

Propagation Rules

Not applicable

Syntax Examples

The following examples show how to use this constraint with particular tools or methods. If a tool or method is not listed, you cannot use this constraint with it.

XST Command Line Syntax Example

Define globally with the **run** command:

```
-dsp_utilization_ratio number[%|#]
```

where

<integer> range is [-1 to 100]

when

% is used or both % and # are omitted.

To specify a percent of total slices use %. To specify an absolute number of slices use #.

The default is %.

- To specify 50% of DSP blocks of the target device:

```
-dsp_utilization_ratio 50
```

- To specify 50% of DSP blocks of the target device:

```
-dsp_utilization_ratio 50%
```

- To specify 50 DSP blocks:

```
-dsp_utilization_ratio 50#
```

There must be no space between the integer value and the percent (%) or pound (#) characters.

ISE Design Suite Syntax Example

Define globally in ISE Design Suite in:

Process > Properties > Synthesis Options > DSP Utilization Ratio

In ISE® Design Suite, you can define the value of DSP Utilization Ratio only as a percentage. You cannot define the value as an absolute number of slices.

FSM Style (FSM_STYLE)

FSM Style (**FSM_STYLE**) makes large Finite State Machine (FSM) components more compact and faster by implementing them in the block RAM resources. Use FSM Style to direct XST to use block RAM resources rather than LUTs (default) to implement FSM Styles.

FSM Style is both a global and a local constraint.

Architecture Support

Applies to Virtex®-6 and Spartan®-6 devices

Applicable Elements

Applies globally, or to an entity, module, or signal

Propagation Rules

Applies to the entity, module, or signal to which it is attached

Syntax Examples

The following examples show how to use this constraint with particular tools or methods. If a tool or method is not listed, you cannot use this constraint with it.

VHDL Syntax Example

Declare as follows:

```
attribute fsm_style: string;
```

Specify as follows:

```
attribute fsm_style of {entity_name|signal_name}: {entity|signal} is  
"{lut|bram}";
```

The default is `lut`.

Verilog Syntax Example

Place immediately before the instance, module, or signal declaration.

```
(* fsm_style = "{lut|bram}" *)
```

XCF Syntax Example One

```
MODEL "entity_name" fsm_style = {lut|bram};
```

XCF Syntax Example Two

```
BEGIN MODEL "entity_name "  
NET "signal_name" fsm_style = {lut|bram};  
END;
```

XCF Syntax Example Three

```
BEGIN MODEL "entity_name "  
INST "instance_name" fsm_style = {lut|bram};  
END;
```

ISE Design Suite Syntax Example

Define globally in ISE Design Suite in:

Process > Properties > Synthesis Options > FSM Style

Power Reduction (POWER)

Power Reduction (**POWER**) instructs XST to optimize the design to consume as little power as possible. Macro processing decisions are made to implement functions in a manner than uses minimal power. Although Power Reduction is allowed in both **AREA** and **SPEED** modes, it can negatively impact the final overall area and speed of the design.

In the current release, power optimization done by XST is dedicated to DSP48 and block RAM blocks.

XST supports two block RAM optimization methods:

- Method One does not significantly impact area and speed. Method One is used by default when power optimization is enabled.
- Method Two saves more power, but can significantly impact area and speed.

Both methods can be controlled with [RAM Style \(RAM_STYLE\)](#), using `block_power1` for Method One and `block_power2` for Method Two.

In some situations, XST may issue an HDL Advisor message giving you tips on how to improve the design. For example, if XST detects that **Read First** mode is used for block RAM, Xilinx® recommends that you use **Write First** or **No Change** modes.

Architecture Support

Applies to Virtex®-6 and Spartan®-6 devices

Applicable Elements

Applies to:

- A component or entity (VHDL)
- A model or label (instance) (Verilog)
- A model or INST (in model) (XCF)
- The entire design (XST command line)

Propagation Rules

Applies to the entity, module, or signal to which it is attached

Syntax Examples

The following examples show how to use this constraint with particular tools or methods. If a tool or method is not listed, you cannot use this constraint with it.

VHDL Syntax Example

Declare as follows:

```
attribute power: string;
```

Specify as follows:

```
attribute power of {component name/entity_name} : {component/entity} is  
"{yes|no}";
```

The default is **no**.

Verilog Syntax Example

Place immediately before the module declaration or instantiation:

```
(* power = "{yes|no}" *)
```

The default is **no**.

XCF Syntax Example

```
MODEL "entity_name" power = {yes|no|true|false};
```

The default is **false**.

XST Command Line Syntax Example

Define globally with the **run** command:

```
-power {yes|no}
```

The default is **no**.

ISE Design Suite Syntax Example

Define globally in ISE Design Suite in:

Process > Properties > Synthesis Options > Power Reduction

Read Cores (READ_CORES)

Use Read Cores (**READ_CORES**) to enable or disable the ability of XST to read Electronic Data Interchange Format (EDIF) or NGC core files for timing estimation and device utilization control. By reading a specific core, XST is better able to optimize logic around the core, since it sees how the logic is connected.

In some cases the Read Cores operation must be disabled in XST in order to obtain the desired results. For example, the PCI™ core must not be visible to XST, since the logic directly connected to the PCI core must be optimized differently as compared to other cores. Read Cores allows you to enable or disable read operations on a core by core basis.

For more information, see [Cores Processing](#) in [Chapter 8, XST FPGA Optimization](#).

Read Cores has three possible values:

- **no (false)**
Disables cores processing
- **yes (true)**
Enables cores processing, but maintains the core as a black box and does not further incorporate the core into the design.
- **optimize**
Enables cores processing, and merges the core netlist into the overall design. This value is available through the XST command line mode only.

Architecture Support

Applies to Virtex®-6 and Spartan®-6 devices

Applicable Elements

Since Read Cores can be used with [BoxType \(BOX_TYPE\)](#), the set of objects on which the both constraints can be applied must be the same.

Applies to:

- A component or entity (VHDL)
- A model or label (instance) (Verilog)
- A model or INST (in model) (XCF)
- The entire design (XST command line)

If Read Cores is applied to at least a single instance of a block, then Read Cores is applied to all other instances of this block for the entire design.

Propagation Rules

Not applicable

Syntax Examples

The following examples show how to use this constraint with particular tools or methods. If a tool or method is not listed, you cannot use this constraint with it.

VHDL Syntax Example

Declare as follows:

```
attribute read_cores: string;
```

Specify as follows:

```
attribute read_cores of {component_name/entity_name} :
{yes|no|optimize};component/entity is "{yes|no|optimize}";
```

The default is **yes**.

Verilog Syntax Example

Place immediately before the module declaration or instantiation:

```
(* read_cores = "{yes|no|optimize}" *)
```

The default is **yes**.

XCF Syntax Example One

```
MODEL "entity_name" read_cores = {yes|no|true|false|optimize};
```

XCF Syntax Example Two

```
BEGIN MODEL "entity_name "
INST "instance_name" read_cores = {yes|no|true|false|optimize};
END;
```

XST Command Line Syntax Example

```
-read_cores {yes|no|optimize}
```

ISE Design Suite Syntax Example

Define globally in ISE Design Suite in:

Process > Properties > Synthesis Options > Read Cores

The optimize option is not available in ISE® Design Suite.

Resynthesize (RESYNTHESIZE)

Resynthesize (**RESYNTHESIZE**) forces or prevents resynthesis of groups created by [Incremental Synthesis \(INCREMENTAL_SYNTHESIS\)](#).

Resynthesize values are:

The values for this constraint are:

- **yes** (default)
- **no**
- **true** (XCF only)
- **false** (XCF only)

There is no global option.

Architecture Support

Applies to Virtex®-6 and Spartan®-6 devices

Applicable Elements

Applies to design elements only

Propagation Rules

Applies to the entity or module to which it is attached

Syntax Examples

The following examples show how to use this constraint with particular tools or methods. If a tool or method is not listed, you cannot use this constraint with it.

VHDL Syntax Example

Declare as follows:

```
attribute resynthesize: string;
```

Specify as follows:

```
attribute resynthesize of entity_name: entity is "{yes|no}";
```

Verilog Syntax Example

Place immediately before the module declaration or instantiation:

```
(* resynthesize = "{yes|no}" *)
```

XCF Syntax Example

```
MODEL "entity_name" resynthesize={yes|no};
```

Incremental Synthesis (INCREMENTAL_SYNTHESIS)

Incremental Synthesis (**INCREMENTAL_SYNTHESIS**) controls the decomposition of a design into several subgroups. This can be applied on a VHDL entity or Verilog module so that XST generates a single and separate NGC file for it and its descendents. For information on Partitions, see the ISE® Design Suite Help.

Incremental Synthesis is not accessible from **Synthesize > XST Process > Properties**. Incremental Synthesis is available only through:

- VHDL attributes
- Verilog meta comments
- XST Constraint File (XCF)

Architecture Support

Applies to Virtex®-6 and Spartan®-6 devices

Applicable Elements

Applies to an entity or module

Propagation Rules

Applies to the entity or module to which it is attached

Syntax Examples

The following examples show how to use this constraint with particular tools or methods. If a tool or method is not listed, you cannot use this constraint with it.

VHDL Syntax Example

Declare as follows:

```
attribute incremental_synthesis: string;
```

Specify as follows:

```
attribute incremental_synthesis of entity_name: entity is "{yes|no}";
```

Verilog Syntax Example

Place immediately before the module declaration or instantiation:

```
(* incremental_synthesis = "{yes|no}" *)*
```

XCF Syntax Example

```
MODEL "entity_name" incremental_synthesis={yes|no};
```

LUT Combining (LC)

LUT Combining (**LC**) enables the merging of LUT pairs with common inputs into single dual-output LUT6s in order to improve design area. This optimization process may reduce design speed.

LUT Combining supports three values:

- **auto**
XST tries to make a tradeoff between area and speed. **Auto** is the default for both Virtex®-6 devices and Spartan®-6 devices.
- **area**
XST performs maximum LUT combining to provide as small an implementation as possible.
- **off**
Disables LUT combining.

Architecture Support

Applies to Virtex®-6 and Spartan®-6 devices

Applicable Elements

Applies globally

Propagation Rules

Not applicable

Syntax Examples

The following examples show how to use this constraint with particular tools or methods. If a tool or method is not listed, you cannot use this constraint with it.

XST Command Line Syntax Example

Define globally with the **run** command:

```
-lc {auto|area|off}
```

ISE Design Suite Syntax Example

Define globally in ISE Design Suite in:

Process > Properties > Xilinx-Specific Options > LUT Combining

Map Logic on BRAM (BRAM_MAP)

Map Logic on BRAM (**BRAM_MAP**) is used to map an entire hierarchical block on the block RAM resources available in Virtex® and later technologies.

Map Logic on BRAM values are:

- **yes**
- **no** (default)

Map Logic on BRAM is both a global and a local constraint.

For more information, see [Mapping Logic to Block RAM](#) in [Chapter 8, XST FPGA Optimization](#).

Architecture Support

Applies to Virtex®-6 and Spartan®-6 devices

Applicable Elements

Applies to BRAMs

Propagation Rules

Isolate the logic (including output register) to be mapped on RAM in a separate hierarchical level. Logic that does not fit on a single block RAM is not mapped. Ensure that the whole entity fits, not just part of it.

The attribute **BRAM_MAP** is set on the instance or entity. If no block RAM can be inferred, the logic is passed to [Global Optimization Goal \(-glob_opt\)](#), where it is optimized. The macros are not inferred. Be sure that XST has mapped the logic.

Syntax Examples

The following examples show how to use this constraint with particular tools or methods. If a tool or method is not listed, you cannot use this constraint with it.

VHDL Syntax Example

Declare as follows:

```
attribute bram_map: string;
```

Specify as follows:

```
attribute bram_map of component_name: component is "{yes|no}";
```

Verilog Syntax Example

Place immediately before the module declaration or instantiation:

```
(* bram_map = "{yes|no}" *)
```

XCF Syntax Example One

```
MODEL "entity_name" bram_map = {yes|no|true|false};
```

XCF Syntax Example Two

```
BEGIN MODEL "entity_name "  
INST "instance_name " bram_map = {yes|no|true|false};  
END;
```

Max Fanout (MAX_FANOUT)

Max Fanout (**MAX_FANOUT**) limits the fanout of nets or signals. The value is an integer. The Max Fanout default value is 100000 (One Hundred Thousand). Max Fanout is both a global and a local constraint.

Large fanouts can interfere with routability. XST tries to limit fanout by duplicating gates or by inserting buffers. This limit is not a technology limit but a guide to XST. This limit is not always observed, especially when this limit is small (less than 30).

In most cases, fanout control is performed by duplicating the gate driving the net with a large fanout. If the duplication cannot be performed, buffers are inserted. These buffers are protected against logic trimming at the implementation level by defining **Keep (KEEP)** in the NGC file.

If the register replication option is set to **no**, only buffers are used to control fanout of flip-flops and latches.

Max Fanout is global for the design, but you can use constraints to control maximum fanout independently for each entity or module or for individual signals.

If the actual net fanout is less than the Max Fanout value, XST behavior depends on how Max Fanout is specified.

- If the value of Max Fanout is set in ISE® Design Suite, in the command line, or is applied to a specific hierarchical block, XST interprets its value as a guidance.
- If Max Fanout is applied to a specific net, XST does not perform logic replication. Putting Max Fanout on the net may prevent XST from having better timing optimization.

For example, suppose that the critical path goes through the net, which actual fanout is 80 and set Max Fanout value to 100. If Max Fanout is specified in ISE Design Suite, XST can replicate it, trying to improve timing. If Max Fanout is applied to the net itself, XST does not perform logic replication.

Max Fanout can also take the value **reduce**. This value has no direct meaning to XST. It is considered only during placement and routing. Until then, fanout control is deferred.

Max Fanout with a value of **reduce** can be applied only to a net. It cannot be applied globally.

XST disables any logic optimization related to the designated net, meaning that it is preserved in the post-synthesis netlist, and that a **MAX_FANOUT=reduce** property is attached to it.

If a more global Max Fanout constraint was defined with an **integer** value (either on the command line, or with an attribute attached to the entity or module containing the considered net), then:

- The **reduce** value takes precedence.
- The **integer** value is ignored for the designated net.

Architecture Support

Applies to Virtex®-6 and Spartan®-6 devices

Applicable Elements

Applies globally, or to an entity, module, or signal

Exception: When Max Fanout takes the value **reduce**, it can be applied only to a signal.

Propagation Rules

Applies to the entity, module, or signal to which it is attached

Syntax Examples

The following examples show how to use this constraint with particular tools or methods. If a tool or method is not listed, you cannot use this constraint with it.

VHDL Syntax Example

Declare as follows:

```
attribute max_fanout: string;
```

Specify as follows:

```
attribute max_fanout of {signal_name|entity_name}: {signal|entity} is "integer";
```

Or

```
attribute max_fanout of {signal_name}: {signal} is "reduce";
```

Verilog Syntax Example

Place immediately before the module or signal declaration:

```
(* max_fanout = "integer" *)
```

Or

```
(* max_fanout = "reduce" *)
```

XCF Syntax Example One

```
MODEL "entity_name" max_fanout=integer;
```

XCF Syntax Example Two

```
BEGIN MODEL "entity_name "  
NET "signal_name" max_fanout=integer;  
END;
```

XCF Syntax Example Three

```
BEGIN MODEL "entity_name "  
NET "signal_name" max_fanout="reduce";  
END;
```

XST Command Line Syntax Example

```
-max_fanout integer
```

ISE Design Suite Syntax Example

Define globally in ISE Design Suite in:

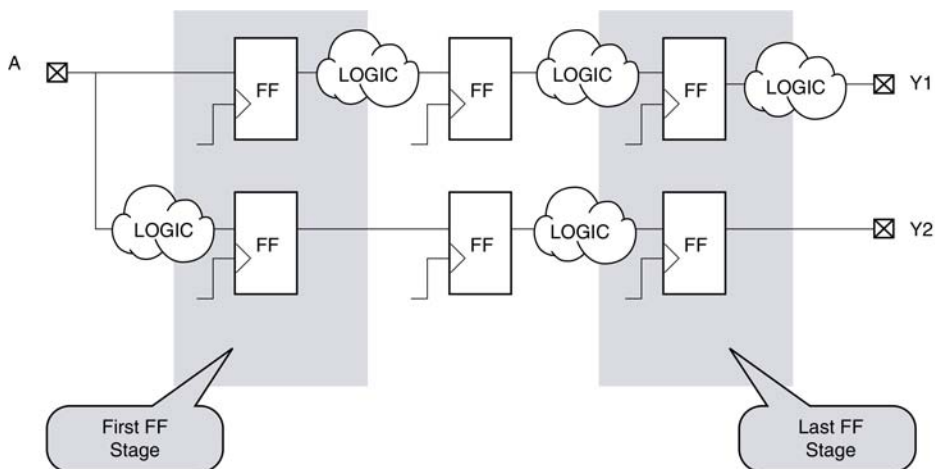
Process > Properties > Xilinx-Specific Options > Max Fanout

Move First Stage (MOVE_FIRST_STAGE)

Move First Stage (**MOVE_FIRST_STAGE**) controls the retiming of registers with paths coming from primary inputs. Both Move First Stage and [Move Last Stage \(MOVE_LAST_STAGE\)](#) relate to [Register Balancing](#).

- A flip-flop (FF in the figure) belongs to the First Stage if it is on the paths coming from primary inputs
- A flip-flop belongs to the Last Stage if it is on the paths going to primary outputs.

Move First Stage Diagram



X9564

During register balancing:

- First Stage flip-flops are moved forward
- Last Stage flip-flops are moved backward

This process can dramatically increase input-to-clock and clock-to-output timing, which is not desirable. To prevent this, use **OFFSET_IN_BEFORE** and **OFFSET_IN_AFTER**.

You can use two additional constraints if:

- The design does not have strong requirements, or
- You want to see the first results without touching the first and last flip-flop stages.

The additional constraints are:

- **MOVE_FIRST_STAGE**
- **MOVE_LAST_STAGE**

Both constraints can have two values: **yes** and **no**.

- **MOVE_FIRST_STAGE=no** prevents the first flip-flop stage from moving
- **MOVE_LAST_STAGE=no** prevents the last flip-flop stage from moving

Several constraints influence register balancing. For more information, see [Register Balancing \(REGISTER_BALANCING\)](#).

Architecture Support

Applies to Virtex®-6 and Spartan®-6 devices

Applicable Elements

Applies to the following only:

- Entire design
- Single modules or entities
- Primary clock signal

Propagation Rules

For Move First Stage propagation rules, see the figure above.

Syntax Examples

The following examples show how to use this constraint with particular tools or methods. If a tool or method is not listed, you cannot use this constraint with it.

VHDL Syntax Example

Declare as follows:

```
attribute move_first_stage : string;
```

Specify as follows:

```
attribute move_first_stage of {entity_name|signal_name}: {signal|entity} is  
"{yes|no}";
```

Verilog Syntax Example

Place immediately before the module or signal declaration:

```
(* move_first_stage = "{yes|no}" *)
```

XCF Syntax Example One

```
MODEL "entity_name" move_first_stage={yes|no|true|false};
```

XCF Syntax Example Two

```
BEGIN MODEL "entity_name "  
NET "primary_clock_signal" move_first_stage={yes|no|true|false};  
END;
```

XST Command Line Syntax Example

Define globally with the **run** command:

```
-move_first_stage {yes|no}
```

The default is **yes**.

ISE Design Suite Syntax Example

Define globally in ISE Design Suite in:

Process > Properties > Xilinx-Specific Options > Move First Flip-Flop Stage

Move Last Stage (MOVE_LAST_STAGE)

Move Last Stage (**MOVE_LAST_STAGE**) controls the retiming of registers with paths going to primary outputs. Both Move Last Stage and [Move First Stage \(MOVE_FIRST_STAGE\)](#) relate to Register Balancing.

Architecture Support

Applies to Virtex®-6 and Spartan®-6 devices

Applicable Elements

Applies to the following only:

- Entire design
- Single modules or entities
- Primary clock signal

Propagation Rules

See [Move First Stage \(MOVE_FIRST_STAGE\)](#).

Syntax Examples

The following examples show how to use this constraint with particular tools or methods. If a tool or method is not listed, you cannot use this constraint with it.

VHDL Syntax Example

Declare as follows:

```
attribute move_last_stage : string;
```

Specify as follows:

```
attribute move_last_stage of {entity_name/signal_name}: {signal|entity} is
"{yes|no}";
```

Verilog Syntax Example

Place immediately before the module or signal declaration:

```
(* move_last_stage = "{yes|no}" *)
```

XCF Syntax Example One

```
MODEL "entity_name" {move_last_stage={yes|no|true|false};
```

XCF Syntax Example Two

```
BEGIN MODEL "entity_name "
NET "primary_clock_signal " move_last_stage={yes|no|true|false};
END;
```

XST Command Line Syntax Example

Define globally with the **run** command:

```
-move_last_stage {yes|no}
```

The default is **yes**.

ISE Design Suite Syntax Example

Define globally in ISE Design Suite in:

Process > Properties > Xilinx-Specific Options > Move Last Flip-Flop Stage

Multiplier Style (MULT_STYLE)

Multiplier Style (**MULT_STYLE**) controls the way the macrogenerator implements the multiplier macros.

The values for this constraint are:

- **auto** (default)
XST looks for the best implementation for each considered macro.
- **block**
- **pipe_block**
Used to pipeline DSP48 based multipliers.
- **kcm**
- **csd**
- **lut**
- **pipe_lut**
For pipeline slice-based multipliers. The implementation style can be manually forced to use block multiplier or LUT resources.

Architecture Support

Applies to Virtex®-6 and Spartan®-6 devices

Applicable Elements

Applies globally, or to an entity, module, or signal

Propagation Rules

Applies to the entity, module, or signal to which it is attached

Multiplier Style is applicable only through an HDL attribute. It is not available as a command line option.

Syntax Examples

The following examples show how to use this constraint with particular tools or methods. If a tool or method is not listed, you cannot use this constraint with it.

VHDL Syntax Example

Declare as follows:

```
attribute mult_style: string;
```

Specify as follows:

```
attribute mult_style of {signal_name/entity_name}: {signal/entity} is  
"{auto|block|pipe_block|kcm|csd|lut|pipe_lut}";
```

The default is **auto**.

Verilog Syntax Example

Place immediately before the module or signal declaration:

```
(* mult_style = "{auto|block|pipe_block|kcm|csd|lut|pipe_lut}" *)
```

The default is **auto**.

XCF Syntax Example One

```
MODEL "entity_name" mult_style={auto|block|pipe_block|kcm|csd|lut|pipe_lut};
```

XCF Syntax Example Two

```
BEGIN MODEL "entity_name "
NET "signal_name " mult_style={auto|block|pipe_block|kcm|csd|lut|pipe_lut};
END;
```

Number of Global Clock Buffers (`-bufg`)

Number of Global Clock Buffers (`-bufg`) controls the maximum number of **BUFGs** created by XST. The value is an integer. The default value depends on the target device, and is equal to the maximum number of available **BUFGs**.

Architecture Support

Applies to Virtex®-6 and Spartan®-6 devices

Applicable Elements

Applies globally

Propagation Rules

Not applicable

Syntax Examples

The following examples show how to use this constraint with particular tools or methods. If a tool or method is not listed, you cannot use this constraint with it.

XST Command Line Syntax Example

Define globally with the `run` command:

```
-bufg integer
```

The value is an integer. The default values are different for different architectures. The defaults for selected architectures are shown in the following table. The number of **BUFGs** cannot exceed the maximum number of **BUFGs** for the target device.

Default Values of Number of Global Clock Buffers

| Devices | Default Value |
|------------|---------------|
| Spartan®-6 | 16 |
| Virtex®-6 | 32 |

ISE Design Suite Syntax Example

Define globally in ISE Design Suite in:

Process > Properties > Xilinx-Specific Options > Number of Clock Buffers

Optimize Instantiated Primitives (`OPTIMIZE_PRIMITIVES`)

By default, XST does not optimize instantiated primitives in Hardware Description Language (HDL) designs. Use Optimize Instantiated Primitives (`OPTIMIZE_PRIMITIVES`) to deactivate the default. Optimize Instantiated Primitives allows XST to optimize Xilinx® library primitives that have been instantiated in an HDL.

Optimization of instantiated primitives is limited by the following factors:

- If an instantiated primitive has specific constraints such as **RLOC** applied, XST preserves it as is.
- Not all primitives are considered by XST for optimization. Such hardware elements as MULT18x18, block RAMs, and DSP48 are not optimized (modified) even if optimization of instantiated primitives is enabled.

Architecture Support

Applies to Virtex®-6 and Spartan®-6 devices

Applicable Elements

Applies globally, or to the designated hierarchical blocks, components, and instances.

Propagation Rules

Applies to the component or instance to which it is attached

Syntax Examples

The following examples show how to use this constraint with particular tools or methods. If a tool or method is not listed, you cannot use this constraint with it.

Schematic Syntax Examples

- Attach to a valid instance
- Attribute Name
`OPTIMIZE_PRIMITIVES`
- Attribute Values
 - `yes`
 - `no` (default)

VHDL Syntax Example

Declare as follows:

```
attribute optimize_primitives: string;
```

Specify as follows:

```
attribute optimize_primitives of {component_name/entity_name/label_name }:  
{component|entity|label} is "{yes|no}";
```

Verilog Syntax Example

Place immediately before the instance, module or signal declaration:

```
(* optimize_primitives = "{yes|no}" *)
```

XCF Syntax Example

```
MODEL "entity_name" optimize_primitives = {yes|no|true|false};
```

XST Command Line Syntax Example

Define globally with the `run` command:

```
-optimize_primitives {yes|no}
```

The default is `no`.

ISE Design Suite Syntax Example

Define globally in ISE Design Suite in:

Process > Properties > Xilinx-Specific Options > Optimize Instantiated Primitives

Pack I/O Registers Into IOBs (IOB)

Pack I/O Registers Into IOBs (**IOB**) packs flip-flops in the I/Os to improve input/output path timing.

When Pack I/O Registers Into IOBs is set to **auto**, the action XST takes depends on the Optimization setting:

- **area**
XST packs registers as tightly as possible to the IOBs in order to reduce the number of slices occupied by the design.
- **speed**
XST packs registers to the IOBs provided they are not covered by timing constraints (in other words, they are not taken into account by timing optimization). For example, if you specify a **PERIOD** constraint, XST packs a register to the IOB if it is not covered by the period constraint. If a register is covered by timing optimization, but you do want to pack it to an IOB, you must apply the IOB constraint locally to the register.

For more information, see IOB in the [Constraints Guide](#).

RAM Extraction (RAM_EXTRACT)

RAM Extraction (**RAM_EXTRACT**) enables or disables RAM macro inference.

RAM Extraction values are:

The values for this constraint are:

- **yes** (default)
- **no**
- **true** (XCF only)
- **false** (XCF only)

Architecture Support

Applies to Virtex®-6 and Spartan®-6 devices

Applicable Elements

Applies globally, or to an entity, module, or signal

Propagation Rules

Applies to the entity, module, or signal to which it is attached

Syntax Examples

The following examples show how to use this constraint with particular tools or methods. If a tool or method is not listed, you cannot use this constraint with it.

VHDL Syntax Example

Declare as follows:

```
attribute ram_extract: string;
```

Specify as follows:

```
attribute ram_extract of {signal_name | entity_name}: {signal | entity} is  
"{yes | no}";
```

Verilog Syntax Example

Place immediately before the module or signal declaration:

```
(* ram_extract = "{yes | no}" *)
```

XCF Syntax Example One

```
RAM Extraction Syntax MODEL "entity_name "  
ram_extract={yes | no | true | false};
```

XCF Syntax Example Two

```
BEGIN MODEL "entity_name "  
NET "signal_name " ram_extract={yes | no | true | false};  
END;
```

XST Command Line Syntax Example

Define globally with the `run` command:

```
-ram_extract {yes | no}
```

The default is `yes`.

ISE Design Suite Syntax Example

Define globally in ISE Design Suite in:

Process > Properties > HDL Options > RAM Extraction

RAM Style (RAM_STYLE)

RAM Style (**RAM_STYLE**) controls the way the macrogenerator implements the inferred RAM macros.

RAM Style values are:

- `auto` (default)
- `block`
- `distributed`
- `pipe_distributed`
- `block_power1`
- `block_power2`

XST looks for the best implementation for each inferred RAM.

You must use `block_power1` and `block_power2` in order to achieve power-oriented block RAM optimization. For more information, see [Power Reduction \(POWER\)](#).

The implementation style can be manually forced to use block RAM or distributed RAM resources.

You can specify `pipe_distributed`, `block_power1`, and `block_power2` only by means of HDL or XCF constraints.

Architecture Support

Applies to Virtex®-6 and Spartan®-6 devices

Applicable Elements

Applies globally, or to an entity, module, or signal

Propagation Rules

Applies to the entity, module, or signal to which it is attached

Syntax Examples

The following examples show how to use this constraint with particular tools or methods. If a tool or method is not listed, you cannot use this constraint with it.

VHDL Syntax Example

Declare as follows:

```
attribute ram_style: string;
```

Specify as follows:

```
attribute ram_style of {signal_name/entity_name}: {signal|entity} is
"{auto|block|distributed|pipe_distributed|block_power1|block_power2}";
```

The default is **auto**.

Verilog Syntax Example

Place immediately before the module or signal declaration:

```
(* ram_style =
"{auto|block|distributed|pipe_distributed|block_power1|block_power2}" *)
```

The default is **auto**.

XCF Syntax Example One

```
MODEL "entity_name "
ram_style={auto|block|distributed|pipe_distributed|block_power1|block_power2};
```

XCF Syntax Example Two

```
BEGIN MODEL "entity_name "
NET "signal_name "
ram_style={auto|block|distributed|pipe_distributed|block_power1|block_power2};
END;
```

XST Command Line Syntax Example

Define globally with the **run** command:

```
-ram_style {auto|block|distributed}
```

The default is **auto**.

The **pipe_distributed** value is not accessible through the command line.

ISE Design Suite Syntax Example

Define globally in ISE Design Suite in:

Process > Properties > HDL Options > RAM Style

Reduce Control Sets (REDUCE_CONTROL_SETS)

Use Reduce Control Sets (**REDUCE_CONTROL_SETS**) to reduce the number of control sets and, as a consequence, reduce the design area. Reducing the number of control sets improves the packing process in map, and therefore reduces the number of used slices even if the number of LUTs increases.

Reducing the number of unique control sets applies only to synchronous control signals (synchronous set/reset and clock enable). Use Reduce Control Sets has no effect on asynchronous sets/reset logic.

Reduce Control Sets supports two values:

- **auto** (default)
XST optimizes automatically, and reduces the existing control sets in the design.
- **no**
XST performs no control set optimization.

Architecture Support

Applies to Virtex®-6 and Spartan®-6 devices

Applicable Elements

Applies globally

Propagation Rules

Not applicable

Syntax Examples

The following examples show how to use this constraint with particular tools or methods. If a tool or method is not listed, you cannot use this constraint with it.

XST Command Line Syntax Example

Define globally with the **run** command:

```
-reduce_control_sets {auto|no}
```

ISE Design Suite Syntax Example

Define globally in ISE Design Suite in:

Process > Properties > Xilinx Specific Options > Reduce Control Sets

Register Balancing (REGISTER_BALANCING)

Register Balancing (**REGISTER_BALANCING**) enables flip-flop retiming. The main goal of register balancing is to move flip-flops and latches across logic to increase clock frequency.

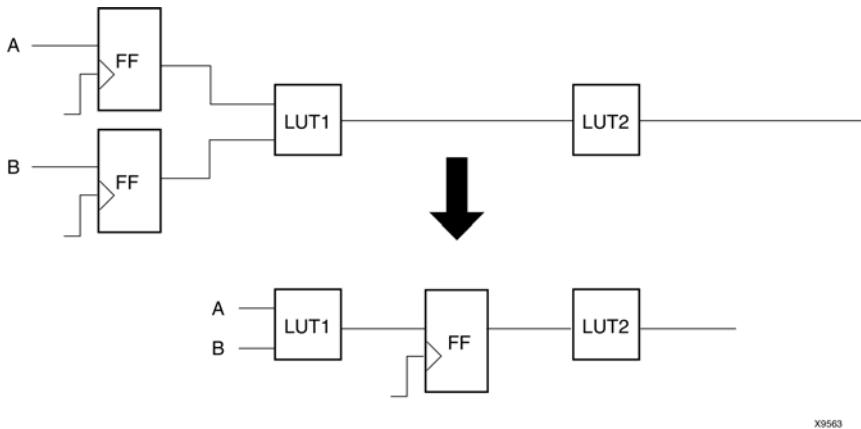
The two categories of Register Balancing are:

- Forward Register Balancing
- Backward Register Balancing

Forward Register Balancing

Forward Register Balancing moves a set of flip-flops at the inputs of a **LUT** to a single flip-flop at its output.

Forward Register Balancing



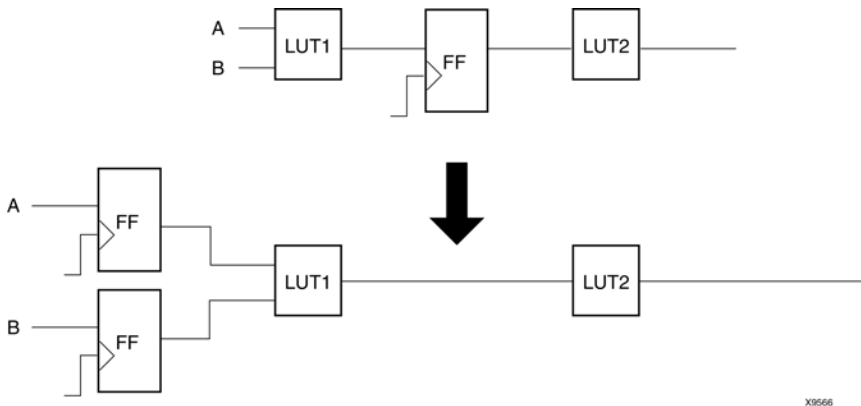
When replacing several flip-flops with one, select the name based on the name of the **LUT** across which the flip-flops are moving as shown in the following:

*LutName*_**FRB***Id*

Backward Register Balancing

Backward Register Balancing moves a flip-flop at the output of a **LUT** to a set of flip-flops at its inputs.

Backward Register Balancing



As a consequence the number of flip-flops in the design can be increased or decreased.

The new flip-flop has the same name as the original flip-flop with an indexed suffix as shown in the following:

*OriginalFFName*_**BRB***Id*

Register Balancing Values

The values for this constraint are:

- **yes**
Both forward and backward retiming are allowed.
- **no** (default)
Neither forward nor backward retiming is allowed.
- **forward**
Only forward retiming is allowed
- **backward**
Only backward retiming is allowed.
- **true** (XCF only)
- **false** (XCF only)

Additional Constraints That Affect Register Balancing

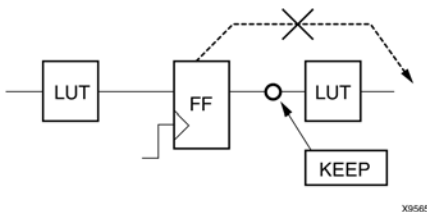
Two additional constraints control register balancing:

- [Move First Stage \(MOVE_FIRST_STAGE\)](#)
- [Move Last Stage \(MOVE_LAST_STAGE\)](#)

Several other constraints also influence register balancing:

- [Keep Hierarchy \(KEEP_HIERARCHY\)](#)
 - If the hierarchy is preserved, flip-flops are moved only inside the block boundaries.
 - If the hierarchy is flattened, flip-flops may leave the block boundaries.
- [Pack I/O Registers Into IOBs \(IOB\)](#)
If **IOB=TRUE**, register balancing is not applied to the flip-flops having this property.
- [Optimize Instantiated Primitives \(OPTIMIZE_PRIMITIVES\)](#)
 - Instantiated flip-flops are moved only if **OPTIMIZE_PRIMITIVES=YES**.
 - Flip-flops are moved across instantiated primitives only if **OPTIMIZE_PRIMITIVES=YES**.
- [Keep \(KEEP\)](#)
If applied to the output flip-flop signal, the flip-flop is not moved forward.

Applied to the Output Flip-Flop Signal



If applied to the input flip-flop signal, the flip-flop is not moved backward.

If applied to both the input and output of the flip-flop, it is equivalent to **REGISTER_BALANCING=no**.

Architecture Support

Applies to Virtex®-6 and Spartan®-6 devices

Applicable Elements

Register Balancing can be applied:

- Globally to the entire design using the command line or ISE® Design Suite
- To an entity or module
- To a signal corresponding to the flip-flop description (RTL)
- To a flip-flop instance
- To the Primary Clock Signal

In this case, the register balancing is performed only for flip-flops synchronized by this clock.

Propagation Rules

Applies to the entity, module, or signal to which it is attached

Syntax Examples

The following examples show how to use this constraint with particular tools or methods. If a tool or method is not listed, you cannot use this constraint with it.

VHDL Syntax Example

Declare as follows:

```
attribute register_balancing: string;
```

Specify as follows:

```
attribute register_balancing of {signal_name|entity_name}: {signal|entity} is
"{yes|no|forward|backward}";
```

Verilog Syntax Example

Place immediately before the module or signal declaration:

```
* register_balancing = "{yes|no|forward|backward}" *)
```

The default is **no**.

XCF Syntax Example One

```
MODEL "entity_name "
```

```
register_balancing={yes|no|true|false|forward|backward};
```

XCF Syntax Example Two

```
BEGIN MODEL "entity_name "
```

```
NET "primary_clock_signal "
```

```
register_balancing={yes|no|true|false|forward|backward};
```

```
END;
```

XCF Syntax Example Three

```
BEGIN MODEL "entity_name "
```

```
INST "instance_name "
```

```
register_balancing={yes|no|true|false|forward|backward};
```

```
END;
```

XST Command Line Syntax Example

Define globally with the `run` command:

```
-register_balancing {yes|no|forward|backward}
```

The default is `no`.

ISE Design Suite Syntax Example

Define globally in ISE Design Suite in:

Process > Properties > Xilinx-Specific Options > Register Balancing

Register Duplication (REGISTER_DUPLICATION)

Register Duplication (`REGISTER_DUPLICATION`) enables or disables register replication.

Register Duplication values are:

The values for this constraint are:

- `yes` (default)
- `no`
- `true` (XCF only)
- `false` (XCF only)

The default is `yes`. Register replication is enabled, and is performed during timing optimization and fanout control.

Architecture Support

Applies to Virtex®-6 and Spartan®-6 devices

Applicable Elements

Applies globally, or to an entity or module

Propagation Rules

Applies to the entity or module to which it is attached

Syntax Examples

The following examples show how to use this constraint with particular tools or methods. If a tool or method is not listed, you cannot use this constraint with it.

VHDL Syntax Example

Declare as follows:

```
attribute register_duplication: string;
```

Specify as follows:

```
attribute register_duplication of entity_name: entity is "{yes|no}";
```

Verilog Syntax Example

Place immediately before the module declaration or instantiation:

```
(* register_duplication = "{yes|no}" *)
```

XCF Syntax Example One

```
MODEL "entity_name" register_duplication={yes|no|true|false};
```

XCF Syntax Example Two

```
BEGIN MODEL "entity_name "  
NET "signal_name" register_duplication={yes|no|true|false};  
END;
```

XST Command Line Syntax Example

Define globally with the **run** command:

```
-register_duplication {yes|no}
```

The default is **yes**.

ISE Design Suite Syntax Example

Define globally in ISE Design Suite in:

Process > Properties > Xilinx-Specific Options > Register Duplication

ROM Extraction (ROM_EXTRACT)

ROM Extraction (**ROM_EXTRACT**) enables or disables ROM macro inference.

ROM Extraction values are:

The values for this constraint are:

- **yes** (default)
- **no**
- **true** (XCF only)
- **false** (XCF only)

A ROM can usually be inferred from a **case** statement where all assigned contexts are constant values.

Architecture Support

Applies to Virtex®-6 and Spartan®-6 devices

Applicable Elements

Applies globally, or to a design element or signal

Propagation Rules

Applies to the entity, module, or signal to which it is attached

Syntax Examples

The following examples show how to use this constraint with particular tools or methods. If a tool or method is not listed, you cannot use this constraint with it.

VHDL Syntax Example

Declare as follows:

```
attribute rom_extract: string;
```

Specify as follows:

```
attribute rom_extract of {signal_name|entity_name}: {signal|entity} is  
"{yes|no}";
```

Verilog Syntax Example

Place immediately before the module or signal declaration:

```
(* rom_extract = "{yes|no}" *)
```

XCF Syntax Example One

```
MODEL "entity_name" rom_extract={yes|no|true|false};*
```

XCF Syntax Example Two

```
BEGIN MODEL "entity_name "  
NET "signal_name" rom_extract={yes|no|true|false};  
END;
```

XST Command Line Syntax Example

Define globally with the **run** command:

```
-rom_extract {yes|no}
```

The default is **yes**.

ISE Design Suite Syntax Example

Define globally in ISE Design Suite in:

Process > Properties > HDL Options > ROM Extraction

ROM Style (ROM_STYLE)

ROM Style (**ROM_STYLE**) controls the way the macrogenerator implements the inferred ROM macros.

[ROM Extraction \(ROM_EXTRACT\)](#) must be set to **yes** for ROM Style to take effect.

The values for this constraint are:

- **auto** (default)
- **block**
- **distributed**

XST looks for the best implementation for each inferred ROM. The implementation style can be manually forced to use block RAM or LUT resources.

Architecture Support

Applies to Virtex®-6 and Spartan®-6 devices

Applicable Elements

Applies globally, or to an entity, module, or signal

Propagation Rules

Applies to the entity, module, or signal to which it is attached

Syntax Examples

The following examples show how to use this constraint with particular tools or methods. If a tool or method is not listed, you cannot use this constraint with it.

VHDL Syntax Example

[ROM Extraction \(ROM_EXTRACT\)](#) must be set to **yes** for ROM Style to take effect.

Declare as follows:

```
attribute rom_style: string;
```

Specify as follows:

```
attribute rom_style of {signal_name | entity_name}: {signal | entity} is
"{auto|block|distributed}";
```

The default is **auto**.

Verilog Syntax Example

Place immediately before the module or signal declaration:

```
(* rom_style = "{auto|block|distributed}" *)
```

The default is **auto**.

XCF Syntax Example One

[ROM Extraction \(ROM_EXTRACT\)](#) must be set to **yes** for ROM Style to take effect.

```
MODEL "entity_name" rom_style={auto|block|distributed};
```

XCF Syntax Example Two

[ROM Extraction \(ROM_EXTRACT\)](#) must be set to **yes** for ROM Style to take effect.

```
BEGIN MODEL "entity_name "
```

```
NET "signal_name" rom_style={auto|block|distributed};
```

```
END;
```

XST Command Line Syntax Example

[ROM Extraction \(ROM_EXTRACT\)](#) must be set to **yes** for ROM Style to take effect.

Define globally with the **run** command:

```
-rom_style {auto|block|distributed}
```

The default is **auto**.

ISE Design Suite Syntax Example

[ROM Extraction \(ROM_EXTRACT\)](#) must be set to **yes** for ROM Style to take effect.

Define globally in ISE Design Suite in:

Process > Properties > HDL Options > ROM Style

Shift Register Extraction (SHREG_EXTRACT)

Shift Register Extraction (**SHREG_EXTRACT**) enables or disables shift register macro inference.

Shift Register Extraction values are:

The values for this constraint are:

- **yes** (default)
- **no**
- **true** (XCF only)
- **false** (XCF only)

Enabling Shift Register Extraction results in the usage of dedicated hardware resources such as **SRL16** and **SRLC16**. For more information, see [Chapter 7, XST HDL Coding Techniques](#).

Architecture Support

Applies to Virtex®-6 and Spartan®-6 devices

Applicable Elements

Applies globally, or to a design element or signal

Propagation Rules

Applies to the design elements or signals to which it is attached

Syntax Examples

The following examples show how to use this constraint with particular tools or methods. If a tool or method is not listed, you cannot use this constraint with it.

VHDL Syntax Example

Declare as follows:

```
attribute shreg_extract : string;
```

Specify as follows:

```
attribute shreg_extract of {signal_name | entity_name}: {signal | entity} is  
"{yes | no}";
```

Verilog Syntax Example

Place immediately before the module or signal declaration:

```
(* shreg_extract = "{yes | no}" *)
```

XCF Syntax Example One

```
MODEL "entity_name" shreg_extract={yes | no | true | false};
```

XCF Syntax Example Two

```
BEGIN MODEL "entity_name"
```

```
NET "signal_name" shreg_extract={yes | no | true | false};
```

```
END;
```

XST Command Line Syntax Example

Define globally with the **run** command:

```
-shreg_extract {yes|no}
```

The default is **yes**.

ISE Design Suite Syntax Example

Define globally in ISE Design Suite in:

Process > Properties > HDL Options > Shift Register Extraction

Slice Packing (`-slice_packing`)

Slice Packing (`-slice_packing`) enables the XST internal packer. The packer attempts to pack critical **LUT-to-LUT** connections within a slice or a **CLB**. This exploits the fast feedback connections among the **LUTs** in a **CLB**.

Architecture Support

Applies to Virtex®-6 and Spartan®-6 devices

Applicable Elements

Applies globally

Propagation Rules

Not applicable

Syntax Examples

The following examples show how to use this constraint with particular tools or methods. If a tool or method is not listed, you cannot use this constraint with it.

XST Command Line Syntax Example

Define globally with the **run** command:

```
-slice_packing {yes|no}
```

ISE Design Suite Syntax Example

Define globally in ISE Design Suite in:

Process > Properties > Xilinx-Specific Options > Slice Packing

Use Low Skew Lines (`USELOWSKEWLINES`)

Use Low Skew Lines (`USELOWSKEWLINES`) is a basic routing constraint. During synthesis, Use Low Skew Lines prevents XST from using dedicated clock resources and logic replication, based on the value of [Max Fanout \(MAX_FANOUT\)](#). Use Low Skew Lines specifies the use of low skew routing resources for any net. For more information, see Use Low Skew Lines in the [Constraints Guide](#).

Slice (LUT-FF Pairs) Utilization Ratio (SLICE_UTILIZATION_RATIO)

Slice (LUT-FF Pairs) Utilization Ratio (**SLICE_UTILIZATION_RATIO**) defines the area size in absolute numbers or percent of total numbers of **LUT-FF** pairs that XST must not exceed during timing optimization.

If the area constraint cannot be satisfied, XST will make timing optimization regardless of the area constraint. To disable automatic resource management, specify **-1** as a constraint value. For more information, see [Speed Optimization Under Area Constraint](#) in [Chapter 8, XST FPGA Optimization](#).

Architecture Support

Applies to Virtex®-6 and Spartan®-6 devices

Applicable Elements

Applies globally, or to a VHDL entity or Verilog module

Propagation Rules

Applies to the entity or module to which it is attached

Syntax Examples

The following examples show how to use this constraint with particular tools or methods. If a tool or method is not listed, you cannot use this constraint with it.

VHDL Syntax Example

Declare as follows:

```
attribute slice_utilization_ratio: string;
```

Specify as follows:

```
attribute slice_utilization_ratio of entity_name : entity is "integer";
```

```
attribute slice_utilization_ratio of entity_name : entity is "integer%";
```

```
attribute slice_utilization_ratio of entity_name : entity is "integer#";
```

In the preceding example, XST interprets the integer values in the first two attributes as a percentage and in the last attribute as an absolute number of slices or **FF-LUT** pairs.

Verilog Syntax Example

Place Slice (LUT-FF Pairs) Utilization Ratio immediately before the module declaration or instantiation.

```
(* slice_utilization_ratio = "integer" *)
```

```
(* slice_utilization_ratio = "integer%" *)
```

```
(* slice_utilization_ratio = "integer#" *)
```

In the preceding examples XST interprets the integer values in the first two attributes as a percentage and in the last attribute as an absolute number of slices or **FF-LUT** pairs

XCF Syntax Example One

```
MODEL "entity_name" slice_utilization_ratio=integer;
```

XCF Syntax Example Two

```
MODEL "entity_name" slice_utilization_ratio="integer%";
```

XCF Syntax Example Three

```
MODEL "entity_name" slice_utilization_ratio="integer#";*
```

In the preceding examples, XST interprets the integer values in the first two lines as a percentage and in the last line as an absolute number of slices or **FF-LUT** pairs.

There must be no space between the integer value and the percent (%) or pound (#) characters.

The integer value range is -1 to 100 when percent (%) is used or both percent (%) and pound (#) are omitted.

You must surround the integer value and the percent (%) and pound (#) characters with double quotes ("...") because the percent (%) and pound (#) characters are special characters in the XST Constraint File (XCF).

XST Command Line Syntax Example

Define globally with the **run** command:

```
-slice_utilization_ratio integer
-slice_utilization_ratio integer%
-slice_utilization_ratio integer#
```

In the preceding examples XST interprets the integer values in the first two lines as a percentage and in the last line as an absolute number of slices or **FF-LUT** pairs.

The integer value range is -1 to 100 when percent (%) is used or both percent (%) and pound (#) are omitted.

ISE Design Suite Syntax Example

Define globally in ISE Design Suite in:

- **Process > Properties > Synthesis Options > Slice Utilization Ratio**, or
- **Process > Properties > Synthesis Options > LUT-FF Pairs Utilization Ratio**.

In ISE® Design Suite, you can define the value of Slice (LUT-FF Pairs) Utilization Ratio only as a percentage. You cannot define the value as an absolute number of slices.

Slice (LUT-FF Pairs) Utilization Ratio Delta (SLICE_UTILIZATION_RATIO_MAXMARGIN)

Slice (LUT-FF Pairs) Utilization Ratio Delta (**SLICE_UTILIZATION_RATIO_MAXMARGIN**) is closely related to [Slice \(LUT-FF Pairs\) Utilization Ratio \(SLICE_UTILIZATION_RATIO\)](#). Slice (LUT-FF Pairs) Utilization Ratio Delta defines the tolerance margin for [Slice \(LUT-FF Pairs\) Utilization Ratio \(SLICE_UTILIZATION_RATIO\)](#). The value of the parameter can be defined in the form of percentage as well as an absolute number of slices or LUT-FF Pairs.

If the ratio is within the margin set, the constraint is met and timing optimization can continue. For more information, see [Speed Optimization Under Area Constraint](#) in [Chapter 8, XST FPGA Optimization](#).

Architecture Support

Applies to Virtex®-6 and Spartan®-6 devices

Applicable Elements

Applies globally, or to a VHDL entity or Verilog module

Propagation Rules

Applies to the entity or module to which it is attached

Syntax Examples

The following examples show how to use this constraint with particular tools or methods. If a tool or method is not listed, you cannot use this constraint with it.

VHDL Syntax Example

Declare as follows:

```
attribute slice_utilization_ratio_maxmargin: string;
```

Specify as follows:

```
attribute slice_utilization_ratio_maxmargin of entity_name : entity is "integer";
```

```
attribute slice_utilization_ratio_maxmargin of entity_name : entity is
"integer%";
```

```
attribute slice_utilization_ratio_maxmargin of entity_name : entity is
"integer#";
```

In the preceding examples, XST interprets the integer values in the first two attributes as a percentage, and in the last attribute as an absolute number of slices or **FF-LUT** pairs.

The integer value range is 0 to 100 when percent (%) is used or both percent (%) and pound (#) are omitted.

Verilog Syntax Examples

Place immediately before the module declaration or instantiation:

```
(* slice_utilization_ratio_maxmargin = "integer" *)
```

```
(* slice_utilization_ratio_maxmargin = "integer%" *)
```

```
(* slice_utilization_ratio_maxmargin = "integer#" *)
```

In the preceding examples, XST interprets the integer values in the first two attributes as a percentage, and in the last attribute as an absolute number of slices or **FF-LUT** pairs.

XCF Syntax Example One

```
MODEL "entity_name" slice_utilization_ratio_maxmargin=integer;
```

XCF Syntax Example Two

```
MODEL "entity_name" slice_utilization_ratio_maxmargin="integer%";
```

XCF Syntax Example Three

```
MODEL "entity_name" slice_utilization_ratio_maxmargin="integer#";
```

In the preceding example, XST interprets the integer values in the first two lines as a percentage and in the last line as an absolute number of slices or **FF-LUT** pairs.

There must be no space between the integer value and the percent (%) or pound (#) characters.

You must surround the integer value and the percent (%) and pound (#) characters with double quotes because the percent (%) and pound (#) characters are special characters in the XST Constraint File (XCF).

The integer value range is 0 to 100 when percent (%) is used or both percent (%) and pound (#) are omitted.

XST Command Line Syntax Example

Define globally with the **run** command:

```
-slice_utilization_ratio_maxmargin integer
```

```
-slice_utilization_ratio_maxmargin integer%
```

```
-slice_utilization_ratio_maxmargin integer#
```

In the preceding example, XST interprets the integer values in the first two lines as a percentage and in the last line as an absolute number of slices or FF-LUT pairs.

The integer value range is 0 to 100 when percent (%) is used or both percent (%) and pound (#) are omitted.

Map Entity on a Single LUT (LUT_MAP)

Map Entity on a Single LUT (**LUT_MAP**) forces XST to map a single block into a single **LUT**. If a described function on an RTL level description does not fit in a single **LUT**, XST issues an error message.

Use the UNISIM library to directly instantiate **LUT** components in the Hardware Description Language (HDL) code. To specify a function that a particular LUT must execute, apply **INIT** to the instance of the **LUT**. To place an instantiated **LUT** or register in a particular slice, apply **RLOC** to the same instance.

LUT INIT functions and different methods can be used to achieve this. Alternatively, you can describe the function that you want to map onto a single **LUT** in the HDL source code in a separate block. Attaching **LUT_MAP** to this block indicates to XST that this block must be mapped on a single **LUT**. XST automatically calculates the **INIT** value for the **LUT** and preserves this **LUT** during optimization.

For more information, see [Mapping Logic to LUTs in Chapter 8, XST FPGA Optimization](#).

XST automatically recognizes the Synplicity **XC_MAP** constraint.

Architecture Support

Applies to Virtex®-6 and Spartan®-6 devices

Applicable Elements

Applies to an entity or module

Propagation Rules

Applies to the entity or module to which it is attached

Syntax Examples

The following examples show how to use this constraint with particular tools or methods. If a tool or method is not listed, you cannot use this constraint with it.

VHDL Syntax Example

Declare as follows:

```
attribute lut_map: string;
```

Specify as follows:

```
attribute lut_map of entity_name: entity is "{yes|no}";
```

Verilog Syntax Example

Place immediately before the module declaration or instantiation:

```
(* lut_map = "{yes|no}" *)
```

XCF Syntax Example

```
MODEL "entity_name" lut_map={yes|no|true|false};
```

Use Carry Chain (USE_CARRY_CHAIN)

XST uses carry chain resources to implement certain macros, but there are situations where you can obtain better results by not using carry chain. Use Carry Chain (**USE_CARRY_CHAIN**) can deactivate carry chain use for macro generation. Use Carry Chain is both a global and a local constraint.

Use Carry Chain values are:

- **yes** (default)
- **no**

Architecture Support

Applies to Virtex®-6 and Spartan®-6 devices

Applicable Elements

Applies globally, or to signals

Propagation Rules

Applies to the signal to which it is attached

Syntax Examples

The following examples show how to use this constraint with particular tools or methods. If a tool or method is not listed, you cannot use this constraint with it.

Schematic Syntax Example

- Attach to a valid instance
- Attribute Name
USE_CARRY_CHAIN
- Attribute Values
 - **yes**
 - **no**

VHDL Syntax Example

Declare as follows:

```
attribute use_carry_chain: string;
```

Specify as follows:

```
attribute use_carry_chain of signal_name: signal is "{yes|no}";
```

Verilog Syntax Example

Place immediately before the signal declaration.

```
(* use_carry_chain = "{yes|no}" *)
```

XCF Syntax Example One

```
MODEL "entity_name" use_carry_chain={yes|no|true|false};
```

XCF Syntax Example Two

```
BEGIN MODEL "entity_name"
```



```
NET "signal_name" use_carry_chain={yes|no|true|false};  
END;
```

XST Command Line Syntax Example

Define globally with the **run** command:

```
-use_carry_chain {yes|no}
```

The default is **yes**.

Convert Tristates to Logic (TRISTATE2LOGIC)

Since some devices do not support internal tristates, XST automatically replaces tristates with equivalent logic. Because the logic generated from tristates can be combined and optimized with surrounding logic, replacing internal tristates with logic can increase speed, and in some cases, lead to better area optimization. In general, however, replacing tristate with logic increases area. If the optimization goal is area, set Convert Tristates to Logic to **no**.

Convert Tristates to Logic Limitations

- Only internal tristates are replaced by logic. The tristates of the top module connected to output pads are preserved.
- Internal tristates are not replaced by logic for modules when incremental synthesis is active.
- The situations in which XST is unable to replace a tristate by logic are:
 - The tristate is connected to a black box.
 - The tristate is connected to the output of a block, and the hierarchy of the block is preserved.
 - The tristate is connected to a top-level output.
 - Convert Tristates to Logic is set to **no** on the block where tristates are placed, or on the signals to which tristates are connected.

The values for this constraint are:

- **yes** (default)
- **no**
- **true** (XCF only)
- **false** (XCF only)

Architecture Support

Applies to Virtex®-6 and Spartan®-6 devices

Applicable Elements

Convert Tristates to Logic applies to:

- An entire design through the XST command line
- A particular block (entity, architecture, component)
- A signal

Propagation Rules

Applies to an entity, component, module, signal, or instance to which it is attached

Syntax Examples

The following examples show how to use this constraint with particular tools or methods. If a tool or method is not listed, you cannot use this constraint with it.

VHDL Syntax Example

Declare as follows:

```
attribute tristate2logic: string;
```

Specify as follows:

```
attribute tristate2logic of {entity_name | component_name | signal_name}:  
{entity | component | signal} is "{yes|no}";
```

Verilog Syntax Example

Place immediately before the module or signal declaration:

```
(* tristate2logic = "{yes|no}" *)
```

XCF Syntax Example One

```
MODEL "entity_name" tristate2logic={yes|no|true|false};
```

XCF Syntax Example Two

```
BEGIN MODEL "entity_name "  
NET "signal_name" tristate2logic={yes|no|true|false};  
END;
```

XST Command Line Syntax Example

Define globally with the **run** command:

```
-tristate2logic {yes|no}
```

The default is **yes**.

ISE Design Suite Syntax Example

Define globally in ISE Design Suite in:

Process > Properties > Xilinx-Specific Options > Convert Tristates to Logic

Use Clock Enable (USE_CLOCK_ENABLE)

Use Clock Enable (**USE_CLOCK_ENABLE**) enables or disables the clock enable function in flip-flops. The disabling of the clock enable function is typically used for ASIC prototyping.

By detecting Use Clock Enable with a value of **no** or **false**, XST avoids using CE resources in the final implementation. For some designs, putting the Clock Enable function on the data input of the flip-flop allows better logic optimization and therefore better QOR. In **auto** mode, XST tries to estimate a trade off between using a dedicated clock enable input of a flip-flop input and putting clock enable logic on the D input of a flip-flop. Where a flip-flop is instantiated by you, XST removes the clock enable only if [Optimize Instantiated Primitives \(OPTIMIZE_PRIMITIVES\)](#) is set to **yes**.

The values for this constraint are:

- **auto** (default)
- **yes**
- **no**
- **true** (XCF only)
- **false** (XCF only)

Architecture Support

Applies to Virtex®-6 and Spartan®-6 devices

Applicable Elements

Applies to:

- An entire design through the XST command line
- A particular block (entity, architecture, component)
- A signal representing a flip-flop
- An instance representing an instantiated flip-flop

Propagation Rules

Applies to an entity, component, module, signal, or instance to which it is attached

Syntax Examples

The following examples show how to use this constraint with particular tools or methods. If a tool or method is not listed, you cannot use this constraint with it.

VHDL Syntax Example

Declare as follows:

```
attribute use_clock_enable: string;
```

Specify as follows:

```
attribute use_clock_enable of
{entity_name | component_name | signal_name | instance_name} :
{entity | component | signal | label} is "{auto|yes|no}";
```

Verilog Syntax Example

Place immediately before the instance, module or signal declaration:

```
(* use_clock_enable = "{auto|yes|no}" *)
```

XCF Syntax Example One

```
MODEL "entity_name" use_clock_enable={auto|yes|no|true|false};
```

XCF Syntax Example Two

```
BEGIN MODEL "entity_name"
```

```
NET "signal_name" use_clock_enable={auto|yes|no|true|false};
```

```
END;
```

XCF Syntax Example Three

```
BEGIN MODEL "entity_name "  
INST "instance_name " use_clock_enable={auto|yes|no|true|false};  
END;
```

XST Command Line Syntax Example

Define globally with the **run** command:

```
-use_clock_enable {auto|yes|no}
```

The default is **auto**.

ISE Design Suite Syntax Example

Define globally in ISE Design Suite in:

Process > Properties > Xilinx-Specific Options > Use Clock Enable

Use Synchronous Set (USE_SYNC_SET)

Use Synchronous Set (**USE_SYNC_SET**) enables or disables the synchronous set function in flip-flops. The disabling of the synchronous set function is generally used for ASIC prototyping. Detecting Use Synchronous Set with a value of **no** or **false**, XST avoids using synchronous reset resources in the final implementation. Moreover, for some designs, putting synchronous reset function on data input of the flip-flop allows better logic optimization and therefore better QOR.

In **auto** mode, XST tries to estimate a trade off between using dedicated Synchronous Set input of a flip-flop input and putting Synchronous Set logic on the D input of a flip-flop. Where a flip-flop is instantiated by you, XST removes the synchronous reset only if [Optimize Instantiated Primitives \(OPTIMIZE_PRIMITIVES\)](#) is set to **yes**.

Use Synchronous Set values are:

The values for this constraint are:

- **auto** (default)
- **yes**
- **no**
- **true** (XCF only)
- **false** (XCF only)

Architecture Support

Applies to Virtex®-6 and Spartan®-6 devices

Applicable Elements

Applies to:

- An entire design through the XST command line
- A particular block (entity, architecture, component)
- A signal representing a flip-flop
- An instance representing an instantiated flip-flop

Propagation Rules

Applies to an entity, component, module, signal, or instance to which it is attached

Syntax Examples

The following examples show how to use this constraint with particular tools or methods. If a tool or method is not listed, you cannot use this constraint with it.

VHDL Syntax Example

Declare as follows:

```
attribute use_sync_set: string;
```

Specify as follows:

```
attribute use_sync_set of {entity_name | component_name | signal_name | instance_name}:
{entity | component | signal | label} is "{auto|yes|no}";
```

Verilog Syntax Example

Place immediately before the instance, module or signal declaration:

```
(* use_sync_set = "{auto|yes|no}" *)
```

XCF Syntax Example One

```
MODEL "entity_name" use_sync_set={auto|yes|no|true|false};
```

XCF Syntax Example Two

```
BEGIN MODEL "entity_name "
NET "signal_name" use_sync_set={auto|yes|no|true|false};
END;
```

XCF Syntax Example Three

```
BEGIN MODEL "entity_name "
INST "instance_name" use_sync_set={auto|yes|no|true|false };
END;
```

XST Command Line Syntax Example

Define globally with the **run** command:

```
-use_sync_set {auto|yes|no}
```

The default is **auto**.

ISE Design Suite Syntax Example

Define globally in ISE Design Suite in:

Process > Properties > Xilinx-Specific Options > Use Synchronous Set

Use Synchronous Reset (USE_SYNC_RESET)

Synchronous Reset (**USE_SYNC_RESET**) enables or disables the usage of synchronous reset function of flip-flops. The disabling of the Synchronous Reset function could be used for ASIC prototyping flow.

Detecting Use Synchronous Reset with a value of **no** or **false**, XST avoids using synchronous reset resources in the final implementation. Moreover, for some designs, putting synchronous reset function on data input of the flip-flop allows better logic optimization and therefore better QOR.

In **auto** mode, XST tries to estimate a trade off between using a dedicated Synchronous Reset input on a flip-flop input and putting Synchronous Reset logic on the D input of a flip-flop. Where a flip-flop is instantiated by you, XST removes the synchronous reset only if **Optimize Instantiated Primitives (OPTIMIZE_PRIMITIVES)** is set to **yes**.

The values for this constraint are:

- **auto** (default)
- **yes**
- **no**
- **true** (XCF only)
- **false** (XCF only)

Architecture Support

Applies to Virtex®-6 and Spartan®-6 devices

Applicable Elements

Applies to:

- An entire design through the XST command line
- A particular block (entity, architecture, component)
- A signal representing a flip-flop
- An instance representing an instantiated flip-flop

Propagation Rules

Applies to an entity, component, module, signal, or instance to which it is attached

Syntax Examples

The following examples show how to use this constraint with particular tools or methods. If a tool or method is not listed, you cannot use this constraint with it.

VHDL Syntax Example

Declare as follows:

```
attribute use_sync_reset: string;
```

Specify as follows:

```
attribute use_sync_reset of  
{entity_name | component_name | signal_name | instance_name}: is  
"{entity|component|signal|label; is {auto|yes|no}";
```

Verilog Syntax Example

Place immediately before the instance, module, or signal declaration.

```
(* use_sync_reset = "{auto|yes|no}" *)
```

XCF Syntax Example One

```
MODEL "entity_name" use_sync_reset={auto|yes|no|true|false};
```

XCF Syntax Example Two

```
BEGIN MODEL "entity_name "
```

```
NET "signal_name" use_sync_reset={auto|yes|no|true|false};  
END;
```

XCF Syntax Example Three

```
BEGIN MODEL "entity_name"  
INST "instance_name" use_sync_reset={auto|yes|no|true|false};  
END;
```

XST Command Line Syntax Example

Define globally with the **run** command:

```
-use_sync_reset {auto|yes|no}
```

The default is **auto**.

ISE Design Suite Syntax Example

Define globally in ISE Design Suite in:

Process > Properties > Xilinx-Specific Options > Use Synchronous Reset

Use DSP Block (USE_DSP48)

Use DSP Block (USE_DSP48) enables or disables the use of DSP Block resources.

The default is **auto**.

In **auto** mode, XST automatically implements such macros as **multiply**, **multiply-addsub**, and **multiply-accumulate** on DSP blocks. Some macros such as adders, counters, and standalone accumulators are implemented on slices. You must force the implementation of these macros on DSP blocks using a value of **yes** or **true**. For more information on supported macros and their implementation control, see [Chapter 7, XST HDL Coding Techniques](#).

Several macros (for example, MAC) that can be placed on DSP blocks are a composition of simpler macros such as multipliers, accumulators, and registers. To achieve the best performance, XST tries to infer and implement the maximum macro configuration. To shape a macro in a specific way, use **Keep (KEEP)**. For example, DSP blocks allow you to implement a multiple with two input registers. To leave the first register stage outside of the DSP block, apply **Keep (KEEP)** in their outputs.

The values for this constraint are:

- **auto** (default)
- **yes**
- **no**
- **true** (XCF only)
- **false** (XCF only)

In **auto** mode you can control the number of available DSP block resources for synthesis using [DSP Utilization Ratio \(DSP_UTILIZATION_RATIO\)](#). By default, XST tries to utilize all available DSP block resources as much as possible.

Architecture Support

Applies to Virtex®-6 and Spartan®-6 devices

Applicable Elements

Applies to:

- An entire design through the XST command line
- A particular block (entity, architecture, component)
- A signal representing a macro described at the RTL level

Propagation Rules

Applies to the entity, component, module, or signal to which it is attached

Syntax Examples

The following examples show how to use this constraint with particular tools or methods. If a tool or method is not listed, you cannot use this constraint with it.

VHDL Syntax Example

Declare as follows:

```
attribute use_dsp48: string;
```

Specify as follows:

```
attribute use_dsp48 of "entity_name | component_name | signal_name":  
{entity|component|signal} is "{auto|yes|no}";
```

Verilog Syntax Example

Place immediately before the instance, module or signal declaration:

```
(* use_dsp48 = "{auto|yes|no}" *)
```

XCF Syntax Example One

```
MODEL "entity_name" use_dsp48={auto|yes|no|true|false};
```

XCF Syntax Example Two

```
BEGIN MODEL "entity_name "  
NET "signal_name" use_dsp48={auto|yes|no|true|false};  
END;
```

XST Command Line Syntax Example

Define globally with the **run** command:

```
-use_dsp48 {auto|yes|no}
```

The default is **auto**.

ISE Design Suite Syntax Example

Define globally in ISE Design Suite in:

Process > Properties > HDL Options > Use DSP Block

XST Timing Constraints

Note The *XST User Guide for Virtex-6 and Spartan-6 Devices* applies to Xilinx® Virtex®-6 and Spartan®-6 devices only. For information on using XST with other devices, see the *XST User Guide*.

This chapter discusses XST Timing Constraints, and includes:

- [Applying Timing Constraints](#)
- [Cross Clock Analysis \(-cross_clock_analysis\)](#)
- [Write Timing Constraints \(-write_timing_constraints\)](#)
- [Clock Signal \(CLOCK_SIGNAL\)](#)
- [Global Optimization Goal \(-glob_opt\)](#)
- [XCF Timing Constraint Support](#)
- [Period \(PERIOD\)](#)
- [Offset \(OFFSET\)](#)
- [From-To \(FROM-TO\)](#)
- [Timing Name \(TNM\)](#)
- [Timing Name on a Net \(TNM_NET\)](#)
- [Timegroup \(TIMEGRP\)](#)
- [Timing Ignore \(TIG\)](#)

Applying Timing Constraints

This section discusses Applying Timing Constraints, and includes:

- [About Applying Timing Constraints](#)
- [Applying Timing Constraints Using Global Optimization Goal](#)
- [Applying Timing Constraints Using the User Constraints File \(UCF\)](#)
- [Writing Constraints to the NGC File](#)
- [Additional Options Affecting Timing Constraint Processing](#)

About Applying Timing Constraints

Apply XST-supported timing constraints with:

- [Global Optimization Goal \(-glob_opt\)](#)
- ISE® Design Suite in **Process > Properties > Synthesis Options > Global Optimization Goal**
- [User Constraints File \(UCF\)](#)

Applying Timing Constraints Using Global Optimization Goal

Use [Global Optimization Goal \(-glob_opt\)](#) to apply the five global timing constraints:

- `ALLCLOCKNETS`
- `OFFSET_IN_BEFORE`
- `OFFSET_OUT_AFTER`
- `INPAD_TO_OUTPAD`
- `MAX_DELAY`

These constraints are applied globally to the entire design. You cannot specify a value for these constraints, since XST optimizes them for the best performance. These constraints are overridden by constraints specified in the User Constraints File (UCF).

Applying Timing Constraints Using the User Constraints File (UCF)

Use the User Constraints File (UCF) to specify timing constraints with native UCF syntax. XST supports constraints such as:

- [Timing Name \(TNM\)](#)
- [Timegroup \(TIMEGRP\)](#)
- [Period \(PERIOD\)](#)
- [Timing Ignore \(TIG\)](#)
- [From-To \(FROM-TO\)](#)

XST supports wildcards and hierarchical names with these constraints.

Writing Constraints to the NGC File

By default, timing constraints are not written to the NGC file. Timing constraints are written to the NGC file only when:

- Write Timing Constraints is checked **yes** in ISE® Design Suite in **Process > Properties**, or
- `-write_timing_constraints` is specified in the command line

Additional Options Affecting Timing Constraint Processing

The following additional options affect timing constraint processing, regardless of how the timing constraints are specified:

- [Cross Clock Analysis \(-cross_clock_analysis\)](#)
- [Write Timing Constraints \(-write_timing_constraints\)](#)
- [Clock Signal \(CLOCK_SIGNAL\)](#)

Cross Clock Analysis (-cross_clock_analysis)

Cross Clock Analysis (`-cross_clock_analysis`) allows inter-clock domain analysis during timing optimization. By default (**no**) XST does not perform this analysis.

Architecture Support

Applies to Virtex®-6 and Spartan®-6 devices

Applicable Elements

Applies to an entire design through the XST command line

Propagation Rules

Not applicable

Syntax Examples

The following examples show how to use this constraint with particular tools or methods. If a tool or method is not listed, you cannot use this constraint with it.

XST Command Line Syntax Example

Define globally with the **run** command:

```
-cross_clock_analysis {yes|no}
```

The default is **no**.

ISE Design Suite Syntax Example

Define globally in ISE Design Suite in:

Process > Properties > Synthesis Options > Cross Clock Analysis

Write Timing Constraints (**-write_timing_constraints**)

Timing constraints are written to the NGC file only when:

- Write Timing Constraints is checked **yes** in ISE® Design Suite in **Process > Properties > Synthesis Options > Write Timing Constraints**, or
- **-write_timing_constraints** is specified in the command line.

By default, timing constraints are not written to the NGC file.

Architecture Support

Applies to Virtex®-6 and Spartan®-6 devices

Applicable Elements

Applies to an entire design through the XST command line

Propagation Rules

Not applicable

Syntax Examples

The following examples show how to use this constraint with particular tools or methods. If a tool or method is not listed, you cannot use this constraint with it.

XST Command Line Syntax Example

Define globally with the **run** command:

```
-write_timing_constraints {yes|no}
```

The default is **no**.

ISE Design Suite Syntax Example

Define globally in ISE Design Suite in:

Process > Properties > Synthesis Options > Write Timing Constraints

Clock Signal (CLOCK_SIGNAL)

If a clock signal goes through combinatorial logic before being connected to the clock input of a flip-flop, XST cannot identify what input pin or internal signal is the real clock signal. Use Clock Signal (CLOCK_SIGNAL) to define the clock signal.

Architecture Support

Applies to Virtex®-6 and Spartan®-6 devices

Applicable Elements

Applies to signals

Propagation Rules

Applies to clock signals

Syntax Examples

The following examples show how to use this constraint with particular tools or methods. If a tool or method is not listed, you cannot use this constraint with it.

VHDL Syntax Example

Declare as follows:

```
attribute clock_signal : string;
```

Specify as follows:

```
attribute clock_signal of signal_name : signal is "{yes|no}";
```

Verilog Syntax Example

Place immediately before the signal declaration.

```
(* clock_signal = "{yes|no}" *)
```

XCF Syntax Example

```
BEGIN MODEL "entity_name "
```

```
NET "primary_clock_signal" clock_signal={yes|no|true|false};
```

```
END;
```

Global Optimization Goal (-glob_opt)

Depending on the Global Optimization Goal (-glob_opt), XST can optimize the following design regions:

- Register to register
- Inpad to register
- Register to outpad
- Inpad to outpad)

Global Optimization Goal (-glob_opt) selects the global optimization goal. For a detailed description of supported timing constraints, see Partitions in the ISE® Design Suite Help.

You cannot specify a value for Global Optimization Goal. XST optimizes the entire design for the best performance.

Apply the following constraints with Global Optimization Goal:

- **ALLCLOCKNETS**
Optimizes the period of the entire design
- **OFFSET_BEFORE**
Optimizes the maximum delay from input pad to clock, either for a specific clock or for an entire design.
- **OFFSET_OUT_AFTER**
Optimizes the maximum delay from clock to output pad, either for a specific clock or for an entire design.
- **INPAD_OUTPAD**
Optimizes the maximum delay from input pad to output pad throughout an entire design.
- **MAX_DELAY**
Incorporates all previously mentioned constraints

These constraints affect the entire design. They apply only if no timing constraints are specified in the constraint file.

Define Global Optimization Goal globally with the **-glob_opt** option of the **run** command.

```
glob_opt {allclocknets|offset_in_before|offset_out_after
|inpad_to_outpad|max_delay} -
```

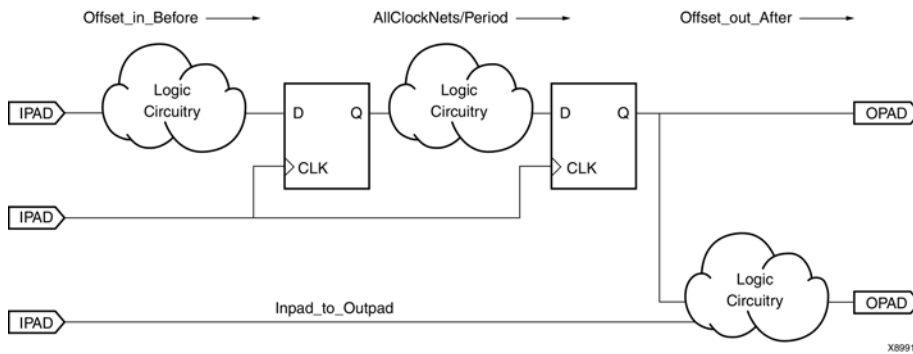
Set this value in ISE Design Suite in **Process > Properties > Synthesis Options > Global Optimization Goal**.

Global Optimization Goal Domain Definitions

The possible domains are shown in the following schematic.

- **ALLCLOCKNETS** (register to register)
Identifies all paths from register to register on the same clock for all clocks in a design. To take inter-clock domain delays into account, set [Cross Clock Analysis \(-cross_clock_analysis\)](#) to **yes**.
- **OFFSET_IN_BEFORE** (inpad to register)
Identifies all paths from all primary input ports to either all sequential elements or the sequential elements driven by the given clock signal name.
- **OFFSET_OUT_AFTER** (register to outpad)
Similar to **OFFSET_IN_BEFORE**, but sets the constraint from the sequential elements to all primary output ports
- **INPAD_TO_OUTPAD** (inpad to outpad)
Sets a maximum combinatorial path constraint.
- **MAX_DELAY**
 - **ALLCLOCKNETS**
 - **OFFSET_IN_BEFORE**
 - **OFFSET_OUT_AFTER**
 - **INPAD_TO_OUTPAD**

Global Optimization Goal Domain Diagram



XCF Timing Constraint Support

If you specify timing constraints in an XST Constraint File (XCF), Xilinx® recommends that you use a forward slash (/) as a hierarchy separator instead of an underscore (_). For more information, see [Hierarchy Separator](#).

If XST does not support all or part of a specified timing constraint, XST issues a warning, and ignores the unsupported timing constraint (or unsupported part of it) in the Timing Optimization step. If [Write Timing Constraints \(-write_timing_constraints\)](#) is set to **yes**, XST propagates the entire constraint to the final netlist, even if it was ignored at the Timing Optimization step.

The following timing constraints are supported in an XCF:

- [Period \(PERIOD\)](#)
- [Offset \(OFFSET\)](#)
- [From-To \(FROM-TO\)](#)
- [Timing Name \(TNM\)](#)
- [Timing Name on a Net \(TNM_NET\)](#)
- [Timegroup \(TIMEGRP\)](#)
- [Timing Ignore \(TIG\)](#)

Period (PERIOD)

Period (**PERIOD**) is a basic timing constraint and synthesis constraint. A clock period specification checks timing between all synchronous elements within the clock domain as defined in the destination element group. The group may contain paths that pass between clock domains if the clocks are defined as a function of one or the other. For more information, see PERIOD in the [Constraints Guide](#).

Architecture Support

Applies to Virtex®-6 and Spartan®-6 devices

Applicable Elements

See PERIOD in the [Constraints Guide](#).

Propagation Rules

See PERIOD in the [Constraints Guide](#).

Syntax Examples

The following examples show how to use this constraint with particular tools or methods. If a tool or method is not listed, you cannot use this constraint with it.

XCF Syntax Example

```
NET netname PERIOD = value [{HIGH|LOW} value];
```

Offset (OFFSET)

Offset (**OFFSET**) is a basic timing constraint. It specifies the timing relationship between an external clock and its associated data-in or data-out pin. Offset is used only for pad-related signals, and cannot be used to extend the arrival time specification method to the internal signals in a design.

Use Offset to:

- Calculate whether a setup time is being violated at a flip-flop whose data and clock inputs are derived from external nets
- Specify the delay of an external output net derived from the Q output of an internal flip-flop being clocked from an external device pin

For more information, see **OFFSET** in the [Constraints Guide](#).

Architecture Support

Applies to Virtex®-6 and Spartan®-6 devices

Applicable Elements

For more information, see **OFFSET** in the [Constraints Guide](#).

Propagation Rules

For more information, see **OFFSET** in the [Constraints Guide](#).

Syntax Examples

The following examples show how to use this constraint with particular tools or methods. If a tool or method is not listed, you cannot use this constraint with it.

XCF Syntax Example

```
OFFSET = {IN|OUT} offset_time [units] {BEFORE|AFTER} clk_name [TIMEGRP  
group_name];
```

From-To (FROM-TO)

From-To (**FROM-TO**) defines a timing constraint between two groups. A group can be user-defined or predefined (**FFs**, **PADs**, **RAMs**). For more information, see **FROM-TO** in the [Constraints Guide](#).

Architecture Support

Applies to Virtex®-6 and Spartan®-6 devices

Applicable Elements

For more information, see **FROM-TO** in the [Constraints Guide](#).

Propagation Rules

For more information, see FROM-TO in the [Constraints Guide](#).

Syntax Examples

The following examples show how to use this constraint with particular tools or methods. If a tool or method is not listed, you cannot use this constraint with it.

XCF Syntax Example

```
TIMESPEC T$name = FROM group1 TO group2 value ;
```

Timing Name (TNM)

Timing Name (TNM) is a basic grouping constraint. Use Timing Name to identify the elements that make up a group which you can then use in a timing specification. Timing Name tags specific **FFS**, **RAMs**, **LATCHES**, **PADS**, **BRAMS_PORTA**, **BRAMS_PORTB**, **CPUS**, **HSIOS**, and **MULTS** as members of a group to simplify the application of timing specifications to the group.

You can also use the **RISING** and **FALLING** keywords with Timing Name. For more information, see **TNM** in the [Constraints Guide](#).

Architecture Support

Applies to Virtex®-6 and Spartan®-6 devices

Applicable Elements

For more information, see **TNM** in the [Constraints Guide](#).

Propagation Rules

For more information, see **TNM** in the [Constraints Guide](#).

Syntax Examples

The following examples show how to use this constraint with particular tools or methods. If a tool or method is not listed, you cannot use this constraint with it.

XCF Syntax Example

```
{INST|NET|PIN} inst_net_or_pin_name TNM = [predefined_group:] identifier ;
```

Timing Name on a Net (TNM_NET)

Timing Name on a Net (**TNM_NET**) is essentially equivalent to [Timing Name \(TNM\)](#) on a net *except* for input pad nets. Special rules apply when using [Timing Name \(TNM\)](#) and **TNM_NET** with [Period \(PERIOD\)](#) for **DLLs**, **DCMs**, and **PLLs**. For more information, see [PERIOD Specifications on CLKDLLs, DCMs, and PLLs](#) in the [Constraints Guide](#).

A Timing Name on a Net is a property that you normally use in conjunction with a Hardware Description Language (HDL) design to tag a specific net. All downstream synchronous elements and pads tagged with the **TNM_NET** identifier are considered a group. For more information, see **TNM_NET** in the [Constraints Guide](#).

Architecture Support

Applies to Virtex®-6 and Spartan®-6 devices

Applicable Elements

For more information, see **TNM_NET** in the [Constraints Guide](#).

Propagation Rules

For more information, see **TNM_NET** in the [Constraints Guide](#).

Syntax Examples

The following examples show how to use this constraint with particular tools or methods. If a tool or method is not listed, you cannot use this constraint with it.

XCF Syntax Example

```
NET netname TNM_NET = [predefined_group:] identifier;
```

Timegroup (TIMEGRP)

Timegroup (**TIMEGRP**) is a basic grouping constraint. In addition to naming groups using the **TNM** identifier, you can also define groups in terms of other groups. You can create a group that is a combination of existing groups by defining a Timegroup constraint.

You can place Timegroup constraints in a constraints file (XST Constraint File (XCF) or Netlist Constraints File (NCF). You can use Timegroup attributes to create groups using the following methods.

- Combining multiple groups into one
- Defining flip-flop subgroups by clock sense

For more information, see **TIMEGRP** in the [Constraints Guide](#).

Architecture Support

Applies to Virtex®-6 and Spartan®-6 devices

Applicable Elements

For more information, see **TIMEGRP** in the [Constraints Guide](#).

Propagation Rules

For more information, see **TIMEGRP** in the [Constraints Guide](#).

Syntax Examples

The following examples show how to use this constraint with particular tools or methods. If a tool or method is not listed, you cannot use this constraint with it.

XCF Syntax Example

```
TIMEGRP newgroup = existing_grp1 existing_grp2 [existing_grp3 ...];
```

Timing Ignore (TIG)

Timing Ignore (**TIG**) causes all paths going through a specific net to be ignored for timing analysis and optimization. Timing Ignore can be applied to the name of the signal affected. For more information, see **TIG** in the [Constraints Guide](#).

Architecture Support

Applies to Virtex®-6 and Spartan®-6 devices

Applicable Elements

For more information, see **TIG** in the [Constraints Guide](#).

Propagation Rules

For more information, see **TIG** in the [Constraints Guide](#).

Syntax Examples

The following examples show how to use this constraint with particular tools or methods. If a tool or method is not listed, you cannot use this constraint with it.

XCF Syntax Example

```
NET net_name TIG;
```

XST-Supported Third Party Constraints

Note The *XST User Guide for Virtex-6 and Spartan-6 Devices* applies to Xilinx® Virtex®-6 and Spartan®-6 devices only. For information on using XST with other devices, see the *XST User Guide*.

This chapter describes XST-Supported Third Party Constraints, and includes:

- [XST Equivalents to Third Party Constraints](#)
- [Third Party Constraints Syntax Examples](#)

XST Equivalents to Third Party Constraints

XST automatically supports several third party constraints. The following table shows the XST equivalents for these constraints. For more information on specific constraints, see your vendor documentation.

Constraints marked **yes** are fully supported. If a constraint is only partially supported, the support conditions are shown in the Automatic Recognition column.

VHDL uses standard attribute syntax. No changes are needed to the Hardware Description Language (HDL) code.

For Verilog with third party metacomment syntax, you must change the metacomment syntax to conform to XST conventions. The constraint name and its value can be used as shown in the third party tool.

For Verilog 2001 attributes, no changes are needed to the HDL code. The constraint is automatically translated as in the case of VHDL attribute syntax.

XST Equivalents to Third Party Constraints

| Name | Vendor | XST Equivalent | Automatic Recognition | Available For |
|--------------------|------------|----------------|-----------------------|---------------|
| black_box | Synplicity | BoxType | N/A | VHDL |
| | | | | Verilog |
| black_box_pad_pin | Synplicity | N/A | N/A | N/A |
| black_box_tri_pins | Synplicity | N/A | N/A | N/A |
| cell_list | Synopsys | N/A | N/A | N/A |
| clock_list | Synopsys | N/A | N/A | N/A |
| enum | Synopsys | N/A | N/A | N/A |
| full_case | Synplicity | Full Case | N/A | Verilog |
| | Synopsys | | | |
| ispad | Synplicity | N/A | N/A | N/A |
| map_to_module | Synopsys | N/A | N/A | N/A |
| net_name | Synopsys | N/A | N/A | N/A |

| Name | Vendor | XST Equivalent | Automatic Recognition | Available For |
|-----------------------------|------------|------------------------|---|---------------|
| parallel_case | Synplicity | Parallel Case | N/A | Verilog |
| | Synopsys | | | |
| return_port_name | Synopsys | N/A | N/A | N/A |
| resource_sharing_directives | Synopsys | Resource Sharing | N/A | VHDL |
| | | | | Verilog |
| set_dont_touch_network | Synopsys | not required | N/A | N/A |
| set_dont_touch | Synopsys | not required | N/A | N/A |
| set_dont_use_cel_name | Synopsys | not required | N/A | N/A |
| set_prefer | Synopsys | N/A | N/A | N/A |
| state_vector | Synopsys | N/A | N/A | N/A |
| syn_allow_retiming | Synplicity | Register Balancing | N/A | VHDL |
| | | | | Verilog |
| syn_black_box | Synplicity | BoxType | Yes | VHDL |
| | | | | Verilog |
| syn_direct_enable | Synplicity | N/A | N/A | N/A |
| syn_edif_bit_format | Synplicity | N/A | N/A | N/A |
| syn_edif_scalar_format | Synplicity | N/A | N/A | N/A |
| syn_encoding | Synplicity | FSM Encoding Algorithm | Yes The value safe is not supported for automatic recognition. Use Safe Implementation in XST to activate this mode. | VHDL |
| | | | | Verilog |
| syn_enum_encoding | Synplicity | Enumerated Encoding | N/A | VHDL |
| syn_hier | Synplicity | Keep Hierarchy | Yes syn_hier = hard is recognized as keep_hierarchy = soft syn_hier = remove is recognized as keep_hierarchy = no XST supports only the values hard and remove for syn_hier in automatic recognition. | VHDL |
| | | | | Verilog |
| syn_isclock | Synplicity | N/A | N/A | N/A |

| Name | Vendor | XST Equivalent | Automatic Recognition | Available For |
|-----------------------|------------|----------------------------------|--|---------------|
| syn_keep | Synplicity | Keep | Yes | VHDL |
| | | | | Verilog |
| syn_maxfan | Synplicity | Max Fanout | Yes | VHDL |
| | | | | Verilog |
| syn_netlist_hierarchy | Synplicity | Netlist Hierarchy | N/A | VHDL |
| | | | | Verilog |
| syn_noarrayports | Synplicity | N/A | N/A | N/A |
| syn_noclockbuf | Synplicity | Buffer Type | Yes | VHDL |
| | | | | Verilog |
| syn_noprune | Synplicity | Optimize Instantiated Primitives | Yes | VHDL |
| | | | | Verilog |
| syn_pipeline | Synplicity | Register Balancing | N/A | VHDL |
| | | | | Verilog |
| syn_preserve | Synplicity | Equivalent Register Removal | Yes | VHDL |
| | | | | Verilog |
| syn_ramstyle | Synplicity | RAM Extraction and RAM Style | Yes XST implements RAMs in <code>no_rw_check</code> mode whether or not <code>no_rw_check</code> is specified. The <code>area</code> value is ignored. | VHDL |
| | | | | Verilog |
| | | | | |
| syn_reference_clock | Synplicity | N/A | N/A | N/A |
| syn_replicate | Synplicity | Register Duplication | Yes | VHDL |
| | | | | Verilog |
| syn_romstyle | Synplicity | ROM Extraction and ROM Style | Yes | VHDL |
| | | | | Verilog |
| syn_sharing | Synplicity | N/A | N/A | VHDL |
| | | | | Verilog |
| syn_state_machine | Synplicity | Automatic FSM Extraction | Yes | VHDL |
| | | | | Verilog |
| syn_tco | Synplicity | N/A | N/A | N/A |
| syn_tpd | Synplicity | N/A | N/A | N/A |
| syn_tristate | Synplicity | N/A | N/A | N/A |
| syn_tristatetomux | Synplicity | N/A | N/A | N/A |
| syn_tsu | Synplicity | N/A | N/A | N/A |
| syn_useenables | Synplicity | Use Clock Enable | N/A | N/A |

| Name | Vendor | XST Equivalent | Automatic Recognition | Available For |
|--------------------------------------|------------|--|--|---------------|
| <code>syn_useioff</code> | Synplicity | Pack I/O Registers Into IOBs (IOB) | N/A | VHDL |
| | | | | Verilog |
| <code>synthesis_translate_off</code> | Synplicity | Translate Off and Translate On | Yes | VHDL |
| <code>synthesis_translate_on</code> | Synopsys | | | Verilog |
| <code>xc_alias</code> | Synplicity | N/A | N/A | N/A |
| <code>xc_clockbuftype</code> | Synplicity | Buffer Type | N/A | VHDL |
| | | | | Verilog |
| <code>xc_fast</code> | Synplicity | FAST | N/A | VHDL |
| | | | | Verilog |
| <code>xc_fast_auto</code> | Synplicity | FAST | N/A | VHDL |
| | | | | Verilog |
| <code>xc_global_buffers</code> | Synplicity | BUFG (XST) | N/A | VHDL |
| | | | | Verilog |
| <code>xc_ioff</code> | Synplicity | Pack I/O Registers Into IOBs | N/A | VHDL |
| | | | | Verilog |
| <code>xc_isgsr</code> | Synplicity | N/A | N/A | N/A |
| <code>xc_loc</code> | Synplicity | LOC | Yes | VHDL |
| | | | | Verilog |
| <code>xc_map</code> | Synplicity | Map Entity on a Single LUT | Yes XST supports only the value <code>lut</code> for automatic recognition. | VHDL |
| | | | | Verilog |
| <code>xc_ncf_auto_relax</code> | Synplicity | N/A | N/A | N/A |
| <code>xc_nodelay</code> | Synplicity | NODELAY | N/A | VHDL |
| | | | | Verilog |
| <code>xc_padtype</code> | Synplicity | I/O Standard | N/A | VHDL |
| | | | | Verilog |
| <code>xc_props</code> | Synplicity | N/A | N/A | N/A |
| <code>xc_pullup</code> | Synplicity | PULLUP | N/A | VHDL |
| | | | | Verilog |
| <code>xc_rloc</code> | Synplicity | RLOC | Yes | VHDL |
| | | | | Verilog |
| <code>xc_slow</code> | Synplicity | FAST | N/A | VHDL |
| | | | | Verilog |
| <code>xc_slow</code> | Synplicity | N/A | N/A | N/A |
| <code>xc_uset</code> | Synplicity | U_SET | Yes | VHDL |
| | | | | Verilog |

Third Party Constraints Syntax Examples

This section contains the following third party constraints syntax examples:

- Third Party Constraints Verilog Syntax Example
- Third Party Constraints XCF Syntax Example

Third Party Constraints Verilog Syntax Example

```
module testkeep (in1, in2, out1);
  input in1;
  input in2;
  output out1;
  (* keep = "yes" *) wire aux1;
  (* keep = "yes" *) wire aux2;
  assign aux1 = in1;
  assign aux2 = in2;
  assign out1 = aux1 & aux2;
endmodule
```

Third Party Constraints XCF Syntax Examples

[Keep \(KEEP\)](#) can also be applied through the separate synthesis constraint file.

```
BEGIN MODEL testkeep
```

```
NET aux1 KEEP=true;
```

```
END;
```

Caution! In an XST Constraint File (XCF) file, the value of [Keep \(KEEP\)](#) may optionally be enclosed in double quotes. Double quotes are mandatory for **SOFT**.

```
BEGIN MODEL testkeep
```

```
NET aux1 KEEP="soft";
```

```
END;
```

These are the only two ways of preserving a signal/net in a Hardware Description Language (HDL) design and preventing optimization on the signal or net during synthesis.

XST Synthesis Report

Note The *XST User Guide for Virtex-6 and Spartan-6 Devices* applies to Xilinx® Virtex®-6 and Spartan®-6 devices only. For information on using XST with other devices, see the *XST User Guide*.

This chapter discusses the XST Synthesis Report, and includes:

- [About the XST Synthesis Report](#)
- [XST Synthesis Report Contents](#)
- [XST Synthesis Report Navigation](#)
- [XST Synthesis Report Information](#)

About the XST Synthesis Report

The XST Synthesis Report:

- Is an ASCII text file
- Is a hybrid between a report and a log
- Contains information about the XST synthesis run

During synthesis, the XST Synthesis Report allows you to:

- Control the progress of the synthesis
- Review what has occurred so far

After synthesis, the XST Synthesis Report allows you to:

- Determine whether the HDL description has been processed according to expectations
- Determine whether device resources utilization and optimization levels are likely to meet design goals once the synthesized netlist has been run through the implementation chain

XST Synthesis Report Contents

The XST Synthesis Report contains the following sections:

- [XST Synthesis Report Table of Contents](#)
- [XST Synthesis Report Synthesis Options Summary](#)
- [XST Synthesis Report HDL Parsing and Elaboration Sections](#)
- [XST Synthesis Report HDL Synthesis Section](#)
- [XST Synthesis Report Advanced HDL Synthesis Section](#)
- [XST Synthesis Report Low Level Synthesis Section](#)
- [XST Synthesis Report Partition Report](#)
- [XST Synthesis Report Design Summary](#)

XST Synthesis Report Table of Contents

Use the Table of Contents to navigate through the report. For more information, see [XST Synthesis Report Navigation](#).

XST Synthesis Report Synthesis Options Summary

The Synthesis Options Summary section summarizes the parameters and options used for the current synthesis run.

XST Synthesis Report DL Parsing and Elaboration Section

During HDL parsing and elaboration, XST:

- Parses the VHDL and Verilog files that make up the synthesis project
- Interprets the contents of the VHDL and Verilog files
- Recognizes the design hierarchy
- Flags HDL coding mistakes
- Points out potential problems such as:
 - Simulation mismatches between post-synthesis and HDL
 - Potential multi-source situations

If problems occur at later stages of synthesis, the HDL parsing and elaboration sections may reveal the root cause of these problems.

XST Synthesis Report HDL Synthesis Section

During HDL Synthesis, XST:

- Attempts to recognize basic macros such as registers, adders, and multipliers for which a technology-specific implementation might later be possible
- Looks for Finite State Machine (FSM) descriptions on a block by block basis
- Issues the HDL Synthesis Report, providing statistics on inferred macros

For more information about the processing of each macro and the corresponding messages issued during synthesis, see [Chapter 7, XST HDL Coding Techniques](#).

XST Synthesis Report Advanced HDL Synthesis Section

During Advanced HDL Synthesis, XST:

- Attempts to combine basic macros inferred during the HDL Synthesis phase into larger macro blocks such as counters, pipelined multipliers, and multiply-accumulate functions
- Reports on the selected encoding scheme for each inferred Finite State Machine (FSM)

The Advanced HDL Synthesis Report at the end of the section summarizes the recognized macros in the overall design, sorted by macro type.

For more information on reporting in the Advanced HDL Synthesis Section, see [Chapter 7, XST HDL Coding Techniques](#).

XST Synthesis Report Low Level Synthesis Section

The Low Level Synthesis Section displays information about the low-level optimizations performed by XST, including the removal of equivalent flip-flops, register replication, or the optimization of constant flip-flops.

XST Synthesis Report Partition Report

If the design is partitioned, the Partition Report displays information about the design partitions.

XST Synthesis Report Design Summary

The Design Summary section helps you determine whether synthesis has been successful, especially whether device utilization and circuit performance has met design goals.

The Design Summary section contains the following subsections:

- [Primitive and Black Box Usage](#)
- [Device Utilization Summary](#)
- [Partition Resource Summary](#)
- [Timing Report](#)
- [Clock Information](#)
- [Asynchronous Control Signals Information](#)
- [Timing Summary](#)
- [Timing Details](#)
- [Encrypted Modules](#)

Primitive and Black Box Usage

The Primitive and Black Box Usage subsection displays usage statistics for all device primitives and identified black boxes.

The primitives are classified in the following groups:

- **BELS**
All basic logical primitives such as **LUT**, **MUXCY**, **XORCY**, **MUXF5**, and **MUXF6**
- Flip-flops and latches
- Block and distributed **RAM**
- Shift register primitives
- Tristate buffers
- Clock buffers
- I/O buffers
- Other logical, more complex, primitives such as **AND2** and **OR2**
- Other primitives

Device Utilization Summary

The Device Utilization Summary subsection displays XST device utilization estimates for such functions as:

- Slice logic utilization
- Slice logic distribution
- Number of flip-flops
- I/O utilization
- Number of block **RAMs**
- Number of **DSP** blocks

A similar report is generated when you later run **MAP**.

Partition Resource Summary

If partitions have been defined, the Partition Resource Summary subsection displays information similar to the Device Utilization Summary on a partition-by-partition basis.

Timing Report

The Timing Report subsection displays XST timing estimates to help you:

- Determine whether the design meets performance and timing requirements
- Locate bottlenecks if performance and timing requirements are not met

Clock Information

The Clock Information subsection displays information about the number of clocks in the design, how each clock is buffered, and their respective fanout.

Clock Information Report Example

Clock Information:

| Clock Signal | Clock buffer (FF name) | Load |
|--------------|------------------------|------|
| CLK | BUFGP | 11 |

Asynchronous Control Signals Information

The Asynchronous Control Signals Information subsection displays information about the number of asynchronous set/reset signals in the design, how each signal is buffered, and their respective fanout.

Asynchronous Control Signals Report Information Example

Asynchronous Control Signals Information:

| Control Signal | Buffer (FF name) | Load |
|---------------------------------------|--------------------------------|------|
| rstint(MACHINE/current_state_Out01:0) | NONE(sixty/lbcount/qoutsig_3) | 4 |
| RESET | IBUF | 3 |
| sixty/msbclr(sixty/msbclr:0) | NONE(sixty/msbcount/qoutsig_3) | 4 |

Timing Summary

The Timing Summary subsection shows timing information for all four possible clock domains of a netlist:

- Minimum period (register to register paths)
- Minimum input arrival time before clock (input to register paths)
- Maximum output required time after clock (register to outpad paths)
- Maximum combinatorial path delay (inpad to outpad paths)

This timing information is an estimate. For precise timing information, see the TRACE report generated after placement and routing.

Timing Summary Report Example

Timing Summary:

Speed Grade: -1

Minimum period: 2.644ns (Maximum Frequency: 378.165MHz)
 Minimum input arrival time before clock: 2.148ns
 Maximum output required time after clock: 4.803ns
 Maximum combinatorial path delay: 4.473ns

Timing Details

The Timing Details subsection displays information about the most critical path in each region, including:

- Start point
- End point
- Maximum delay
- Levels of logic
- Detailed breakdown of the path into individual net and component delays, also providing valuable information on net fanouts.
- Distribution between routing and logic

Timing Details Report Example

Timing Details:

All values displayed in nanoseconds (ns)

=====

Timing constraint: Default period analysis for Clock 'CLK'

Clock period: 2.644ns (frequency: 378.165MHz)

Total number of paths / destination ports: 77 / 11

Delay: 2.644ns (Levels of Logic = 3)

Source: MACHINE/current_state_FFd3 (FF)

Destination: sixty/msbcount/qoutsig_3 (FF)

Source Clock: CLK rising

Destination Clock: CLK rising

Data Path: MACHINE/current_state_FFd3 to sixty/msbcount/qoutsig_3

| Cell:in->out | fanout | Gate Delay | Net Delay | Logical Name (Net Name) |
|--------------|--------|------------|-----------|---------------------------------------|
| FDC:C->Q | 8 | 0.272 | 0.642 | ctrl/state_FFd3 (ctrl/state_FFd3) |
| LUT3:I0->O | 3 | 0.147 | 0.541 | Ker81 (clkenable) |
| LUT4_D:I1->O | 1 | 0.147 | 0.451 | sixty/msbce (sixty/msbce) |
| LUT3:I2->O | 1 | 0.147 | 0.000 | sixty/msbcount/qoutsig_3_rstpot (N43) |
| FDC:D | | 0.297 | | sixty/msbcount/qoutsig_3 |

Total 2.644ns (1.010ns logic, 1.634ns route)
(38.2% logic, 61.8% route)

Encrypted Modules

XST hides all information about encrypted modules.

XST Synthesis Report Navigation

This section discusses Synthesis Report Navigation in command line mode and ISE® Design Suite, and includes:

- [Command Line Mode Report Navigation](#)
- [ISE Design Suite Report Navigation](#)

Command Line Mode Report Navigation

In command line mode, XST generates an SRP (.srp) file. The SRP file:

- Contains the full XST Synthesis Report
- Is an ASCII text file
- Can be opened in a text editor

Entries in the SRP file Table of Contents are not hyperlinked. Use the text editor Find function to navigate.

ISE Design Suite Report Navigation

In ISE® Design Suite, XST generates an SYR (.syr) file. The SYR file:

- Contains the full XST Synthesis Report
- Is located in the directory where the ISE Design Suite project resides
- Allows you to navigate to the different sections of the XST Synthesis Report using a navigation pane

XST Synthesis Report Information

Use the following to reduce the information displayed in the XST Synthesis Report:

- [Message Filtering](#)
- [Quiet Mode](#)
- [Silent Mode](#)

Message Filtering

When running XST in ISE® Design Suite, use the Message Filtering wizard to select specific messages to filter out of the XST Synthesis Report. You can filter out individual messages, or a category of messages. For more information, see *Using the Message Filters* in the ISE Design Suite Help.

Quiet Mode

Quiet Mode limits the number of messages printed to the computer screen (`stdout`) but does not affect the contents of the XST Synthesis Report itself. The report contains the full, unfiltered, synthesis information. To invoke Quiet Mode, set `-intstyle` to either of the following:

- **ise**
Formats messages for ISE® Design Suite
- **xflow**
Formats messages for XFLOW

XST normally prints the entire report to `stdout`. In Quiet Mode, XST does not print the following sections of the XST Synthesis Report to `stdout`:

- Copyright Message
- [Table of Contents](#)
- [Synthesis Options Summary](#)
- The following portions of the Design Summary:
 - Final Results section
 - A note in the Timing Report stating that the timing numbers are only a synthesis estimate
 - Timing Details
 - CPU (XST run time)
 - Memory usage

In Quiet Mode, XST prints the following sections of the XST Synthesis Report to `stdout`:

- [Device Utilization Summary](#)
- [Clock Information](#)
- [Timing Summary](#)

Silent Mode

Silent Mode prevents any messages from being sent to the computer screen (stdout) but the entire XST Synthesis Report is written to the log file. To invoke Silent Mode, set **-intstyle** to **silent**.

XST Naming Conventions

Note The *XST User Guide for Virtex-6 and Spartan-6 Devices* applies to Xilinx® Virtex®-6 and Spartan®-6 devices only. For information on using XST with other devices, see the *XST User Guide*.

This chapter discusses naming conventions in XST, and includes:

- [About XST Naming Conventions](#)
- [XST Net Naming Conventions Coding Examples](#)
- [XST Net Naming Conventions](#)
- [XST Instance Naming Conventions](#)
- [XST Case Preservation](#)
- [XST Name Generation Control](#)

About XST Naming Conventions

Synthesis tools must ensure a naming strategy for objects written to the synthesized netlist that is logical, consistent, predictable, and repeatable. Whether you wish to control implementation of a design with constraints, or to reduce timing closure cycles, XST naming conventions help you achieve those goals.

XST Naming Conventions Coding Examples

Coding examples are accurate as of the date of publication. Download updates and other examples from ftp://ftp.xilinx.com/pub/documentation/misc/xstug_examples.zip. Each directory contains a `summary.txt` file listing all examples together with a brief overview.

Reg in Labelled Always Block Verilog Coding Example

```
//  
// A reg in a labelled always block  
//  
// Download: ftp://ftp.xilinx.com/pub/documentation/misc/xstug_examples.zip  
// File: Naming_Conventions/reg_in_labelled_always.v  
//  
module top (  
    input  clk,  
    input  di,  
    output do  
);  
  
    reg data;  
  
    always @(posedge clk)  
    begin : mylabel  
  
        reg tmp;  
  
        tmp <= di;           // Post-synthesis name : mylabel.tmp  
        data <= ~tmp;       // Post-synthesis name : data  
  
    end  
  
    assign do = ~data;  
endmodule
```

Primitive Instantiation in If-Generate Without Label Verilog Coding Example

```
//  
// A primitive instantiation in a if-generate without label  
//  
// Download: ftp://ftp.xilinx.com/pub/documentation/misc/xstug_examples.zip  
// File: Naming_Conventions/if_generate_nolabel.v  
//  
module top (  
    input  clk,  
    input  di,  
    output do  
);  
  
    parameter TEST_COND = 1;  
  
    generate  
  
        if (TEST_COND) begin  
            FD myinst (.C(clk), .D(di), .Q(do)); // Post-synthesis name : myinst  
        end  
  
    endgenerate  
endmodule
```

Primitive Instantiation in If-Generate With Label Verilog Coding Example

```
//
// A primitive instantiation in a labelled if-generate
//
// Download: ftp://ftp.xilinx.com/pub/documentation/misc/xstug_examples.zip
// File: Naming_Conventions/if_generate_label.v
//
module top (
    input  clk,
    input  rst,
    input  di,
    output do
);

    // parameter TEST_COND = 1;
    parameter TEST_COND = 0;

    generate

        if (TEST_COND)
            begin : myifname
                FDR myinst (.C(clk), .D(di), .Q(do), .R(rst));
                // Post-synthesis name : myifname.myinst
            end
        else
            begin : myelsename
                FDS myinst (.C(clk), .D(di), .Q(do), .S(rst));
                // Post-synthesis name : myelsename.myinst
            end

    endgenerate

endmodule
```

Variable in Labelled Process VHDL Coding Example

```
--
-- A variable in a labelled process
--
-- Download: ftp://ftp.xilinx.com/pub/documentation/misc/xstug_examples.zip
-- File: Naming_Conventions/var_in_labelled_process.vhd
--
library ieee;
use ieee.std_logic_1164.all;

entity top is
    port(
        clk : in  std_logic;
        di  : in  std_logic;
        do  : out std_logic
    );
end top;

architecture behavioral of top is
    signal data : std_logic;
begin

    mylabel: process (clk)
        variable tmp : std_logic;
    begin
        if rising_edge(clk) then
            tmp := di;           -- Post-synthesis name : mylabel.tmp
        end if;
        data <= not(tmp);
    end process;

    do <= not(data);

end behavioral;
```

Flip-Flop Modelled With a Boolean VHDL Coding Example

```
--
-- Naming of boolean type objects
--
-- Download: ftp://ftp.xilinx.com/pub/documentation/misc/xstug_examples.zip
-- File: Naming_Conventions/boolean.vhd
--
library ieee;
use ieee.std_logic_1164.all;

entity top is
    port(
        clk : in std_logic;
        di  : in boolean;
        do  : out boolean
    );
end top;

architecture behavioral of top is
    signal data : boolean;
begin

    process (clk)
    begin
        if rising_edge(clk) then
            data <= di;      -- Post-synthesis name : data
        end if;
    end process;

    do <= not(data);

end behavioral;
```

XST Net Naming Conventions

XST creates net names based on the following rules, listed in order of naming priority:

1. Maintain external pin names.
2. Keep hierarchy in signal names, using the hierarchy separator defined by [Hierarchy Separator](#). The default hierarchy separator is a slash (/).
3. Maintain output signal names of registers, including state bits. Use the hierarchical name from the level where the register was inferred.
4. For output signals of clock buffers, a **_clockbuffertype** suffix (such as **_BUFGP** or **_IBUFG**) is appended to the clock signal name.
5. Maintain input nets to registers and tristates names.
6. Maintain names of signals connected to primitives and black boxes.
7. The output net of an **IBUF** is named *<signal_name>_IBUF*. Assuming for example that an **IBUF** output drives signal **DIN**, the output net of this **IBUF** is named **DIN_IBUF**.
8. The input net to an **OBUF** is named *<signal_name>_OBUF*. Assuming for example that an **OBUF** input is driven by signal **DOUT**, the input net of this **OBUF** is named **DOUT_OBUF**.
9. Base names for internal (combinatorial) nets on user HDL signal names where possible.
10. Nets resulting from the expansion of buses are formatted as *<bus_name><left_delimiter><position>#<right_delimiter>*. The default left and right delimiters are respectively **<** and **>**. Use [Bus Delimiter \(-bus_delimiter\)](#) to change this convention.

XST Instance Naming Conventions

XST creates instance names based on the following rules, listed in order of naming priority:

1. Keep hierarchy in instance names, using the hierarchy separator defined by [Hierarchy Separator](#). The default hierarchy separator is a slash (/).
2. When instance names are generated from HDL **generate** statements, labels from generate statements are used in composition of instance names.

For the following VHDL **generate** statement:

```

i1_loop: for i in 1 to 10 generate
inst_lut:LUT2 generic map (INIT => "00")

```

XST generates the following instance names for **LUT2**:

```

i1_loop[1].inst_lut
i1_loop[2].inst_lut
...
i1_loop[9].inst_lut
i1_loop[10].inst_lut

```

3. Match the flip-flop instance name to the name of the signal it drives. This principle also applies to state bits.
4. Name clock buffer instances **_clockbuffertype** (such as **_BUFGP** or **_IBUFG**) after the output signal.
5. Names of black box instances are maintained.
6. Name of library primitive instances are maintained.
7. Name input and output buffers using the form **_IBUF** or **_OBUF** after the pad name.
8. Name Output instance names of **IBUFs** using the form **instance_name_IBUF**.
9. Name input instance names to **OBUFs** using the form **instance_name_OBUF**.

XST Case Preservation

Verilog is case sensitive. Unless instructed otherwise through the Case (**-case**) option, XST enforces the exact capitalization found in the HDL source code. For more information on the XST support of Verilog case sensitivity, and possible restrictions, see [Case Sensitivity in Chapter 4, XST Verilog Support](#).

VHDL is case insensitive. Unless specified otherwise through the Case (**-case**) option, object names based on names defined in the HDL source code are converted to all lower case in the synthesized netlist.

XST Name Generation Control

The following constraints give you some control over the naming of objects in the synthesized netlist.

- [Hierarchy Separator](#) (**-hierarchy_separator**)
- [Bus Delimiter](#) (**-bus_delimiter**)
- [Case](#) (**-case**)
- [Duplication Suffix](#) (**-duplication_suffix**)

Apply these constraints in ISE® Design Suite in **Synthesize - XST Process > Properties**, or use the appropriate command line options.

For more information, see [Chapter 9, XST Design Constraints](#).